

Product Description

The Alume C1D2 is an explosion proof emergency edge lit exit sign designed for hazardous locations where flammable gases, vapors, or combustible dust may be present. Built to meet strict UL hazardous location standards, this fixture provides reliable red EXIT indication and long-duration emergency illumination to ensure safe evacuation during power outages.

> Quick Ship - In Stock, Ready to Ship

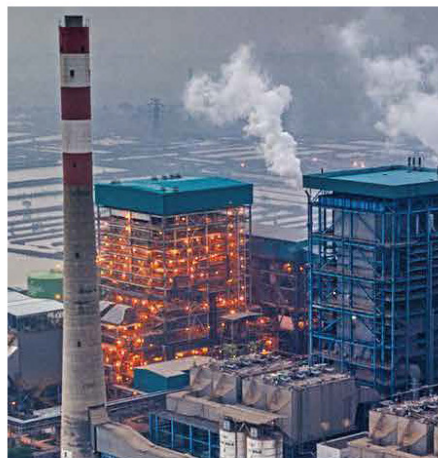
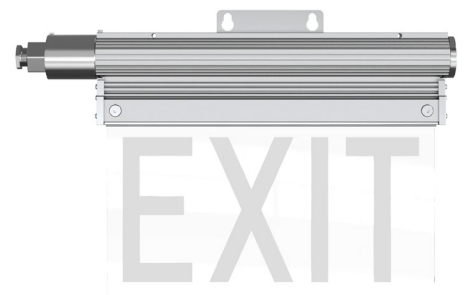
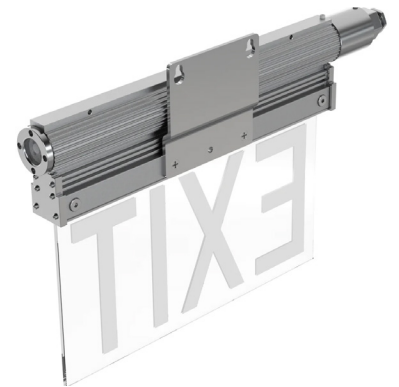
Project:		Type:
Location:		
Prepared By:		Date:
Comments:		

Performance Summary

- Energy-efficient Philips Lumileds SMD LEDs
- In stock and ships from several U.S. locations for quick delivery
- Better visibility than HID or fluorescent
- Patented design with high quality components, excellent choice for retrofitting
- Listed for hazardous locations per UL844 for Class 1, Div 2, Groups A, B, C, D
- Heavy duty and high impact resistance
- Solid State with high-shock and vibration resistance - 3G vibration tested
- Light weight and compact structure
- Integrated junction box for driver with emergency backup
- Low energy consumption
- Three hour emergency operation
- When normal power is restored, the unit automatically switches back to main power
- Exit display has dual arrow indicators and red exit light ettering
- Viewing is double sided
- Stainless-steel exposed fasteners with high corrosion resistance
- Sealed unit. Battery not replaceable. Replace entire exit sign unit when necessary
- Housing is aluminum with a durable ABS plastic sign lens
- Streamlined housing, no rough edges or scraping, with SUS316 stainless steel hardware
- LED array manufactured using a state-of-the-art SMT machine
- Operating temperature: -20 to 60 degrees celsius
- 100,000 hour LED life - IP66 rated for outdoor locations
- Certifications: ABS, UL HazLoc, cULus
- 10 year limited warranty

Alume C1D2 Exit Sign

Class 1, Division 2 Hazardous Explosion Proof
LED Edge Lit Luminaire



Vivid Leds, Inc.
PO BOX 9
Sellersburg, IN 47172
330-809-0431
www.vividleds.us

Dimensions, specifications, and product pictures are subject to change without notice.

The product on this page is a manufactured to order, non-stocking item. This product cannot be returned for refund or credit.

F29

Revised 4.25.26

Applications:

Oil and Gas industry

- All petroleum production and refining
- Petroleum loading and transportation
- Petroleum storage and retail
- LNG industry
- All mining operations and service

Chemical industry

- All types of paint facilities
- Chemical production and storage

Ocean, marine and aerospace field

- Ocean platform operation facilities and structure
- Aerospace clean room and production
- Ocean vessel operations

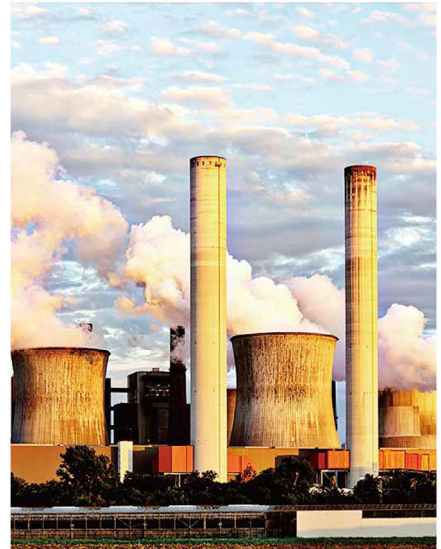
Metal treatment

- Steel and aluminum factories
- Pumping stations in any environment
- Metal smelting, foundry and fabrication

Food and alcohol industry

- Flour and fine particle production and storage
- Food and distilling production
- Alcohol industry

Other high humidity, high dust, high temperature, vapor locations



Explosion Protection:

UL844

- Class I, Division 2, Groups A, B, C, D
- Class II, Division 1, Groups E, F, G
- Class II, Division 2, Groups F, G
- Class III

Marine

- UL 1598, UL1598A
- ABS

Models:

- WDEXITC1D2 - 5W - 18.3" (L) x 2.1" (W) x 11.1" (H) - 15 Lbs

Ordering Information:					Part Number:
Ordering Example: WDEXITC1D2-50-PT-V27-PM					
Family	CCT	Finish	Voltage	Beam Angle	Mounting
WDEXITC1D2	50 - 5000K	PT - Platinum	V27 - 100-277V	T5 - 180 Degrees	PM - Pendant Mount WM - Wall Mount PM - Pipe Mount



Vivid Leds, Inc.
PO BOX 9
Sellersburg, IN 47172
330-809-0431
www.vividleds.us

Dimensions, specifications, and product pictures are subject to change without notice.

F29