

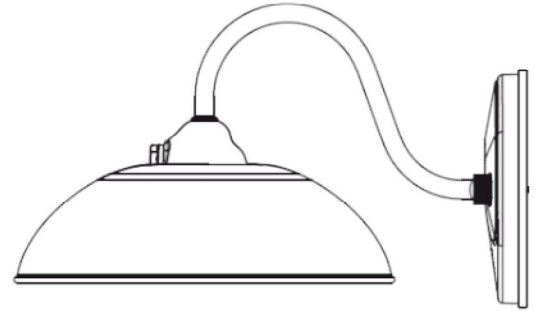
ALUME GOOSENECK INSTALLATION

Installation Instruction



WARNING

- To avoid electric shock, disconnect power at source prior to installation.
- The installation should be performed by qualified electricians or lighting technicians.
- Before conducting any installation, maintenance, or removal, disable all power to the luminaries and wait until the fixture cool down.
- Do not touch the fixture while it is in service.
- Operating temperature is -40°C to 40°C
- If there is any problem with the fixture, DO turn off power and DO NOT attempt repair unless you are a qualified technician or the customer service member.

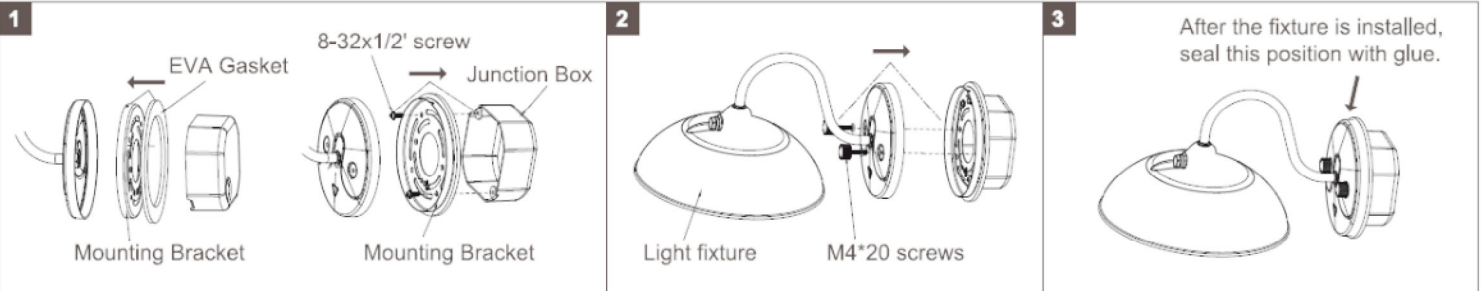


INSTALLATION INSTRUCTIONS

1. Attach the gasket on the back of the mounting bracket for a weather tight sea, and then secure the bracket to the junction box with 8-32x1/2' screws.
2. Connect the wires correctly (reference wiring diagram). Carefully tuck all wiring back into the junction box, and then secure the fixture to the mouning bracket with 2pcs 4*20 screws.

Note: Make sure that a wires are sucurelyconnected and that there are no ex00Sedconductors and a wires do not aet pinched

3. To ensure waterproof seal, apply weatherproof silicone sealant (supplied by others) around the edge of the wall mounting box and /or junction box. **Note:** Faiure to properly caulk the mounting box and or junction box bonding surface may reult in water damage, which is not covered by the warranty.

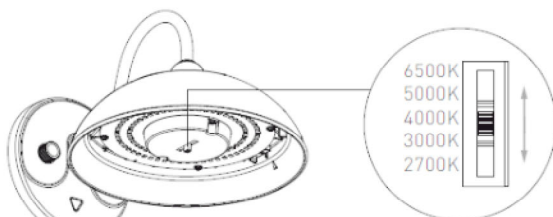


COLOR TEMPERATURE ADJUSTMENT (optional)

1. With power disconnected, twist the translucent shield counterclockwise and turn the color temperature dip switch to the desired color temperature.
2. After adjusting the color temperature, twist the translucent shield clockwise to the closed state

Note: The color temper ature adjustment must be operated with the power disconnected.

The operation is shown in the following diagram.



Five CCTs adjustable:
6500K, 5000K, 4000K, 3000K, 2700K

Color temperature adjustment diagram

