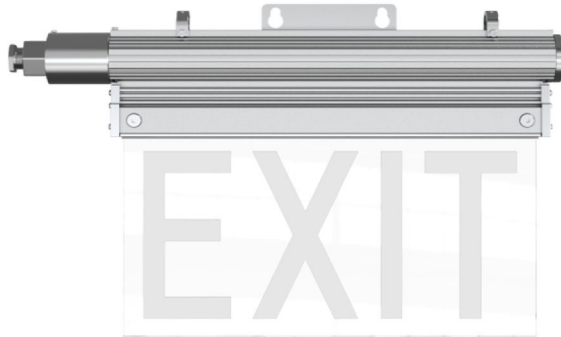


ALUME C1D2 EXIT SIGN INSTALLATION



Explanation of Indicator Light:

RGY: Three colors indicator light.

If two or three indicator lights remains ON during initial power-up, the unit must reset using switch, press and hold the switch for 5-6s until unit turns off, release the switch, press ON switch again to turn the unit ON, The indicator lights should turn to normal operation after reset.

•RED

1. Fast charging for 2 hours.
2. Charging indicator, displaying 20% -80% battery capacity

•GREEN

1. Trickle charging.
2. Charging indicator, displaying 80% -100% battery capacity
3. Green light on when disconnecting the battery

•YELLOW:

1. Discharge below 20%.
2. If the yellow light is on in any state, the product is out of order.

Explanation of Switch:

1. Press the switch "ON" once, the EXIT sign and indicator light will flash once, the flashing cycle has an ON / OFF interval of 10 seconds.
2. When the main power is disconnected, press and hold the switch for 3 to 5 seconds to turn off the product. To turn EXIT sign ON again, restore the main power, the unit will activate automatically.

Two Options of Function:

Model 1: EXIT sign remains illuminated whether the main power is ON or OFF

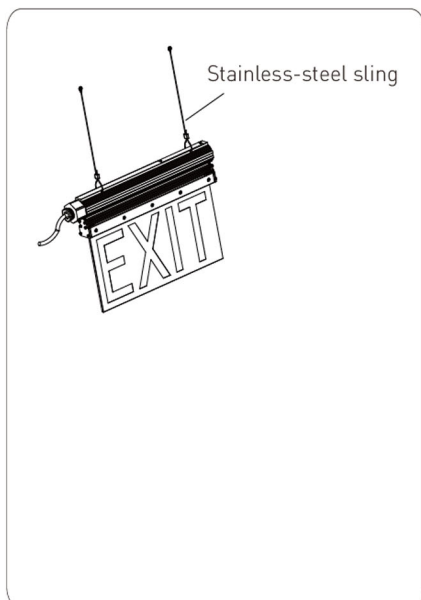
Model 2: EXIT sign does not illuminate when the main power is ON, but turns on immediately during a power outage.

Certifications:

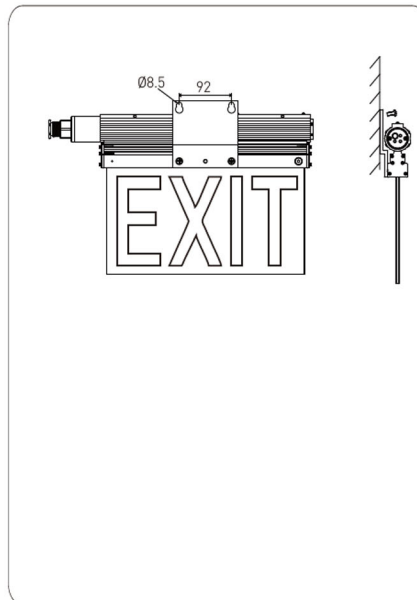
UL 844 Hazardous Locations
Class I, Division 2, Groups A, B, C, D
Class II, Division 1, Groups E, F, G
Class II, Division 2, Groups F, G
Class III
UL 924, ABS

► Mounting Methods and Accessories:

Pendant Mounting:



Wall Mounting:



Pipe Mounting:

