

# ALUME ARS INSTALLATION

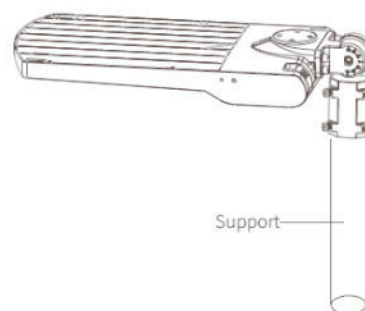
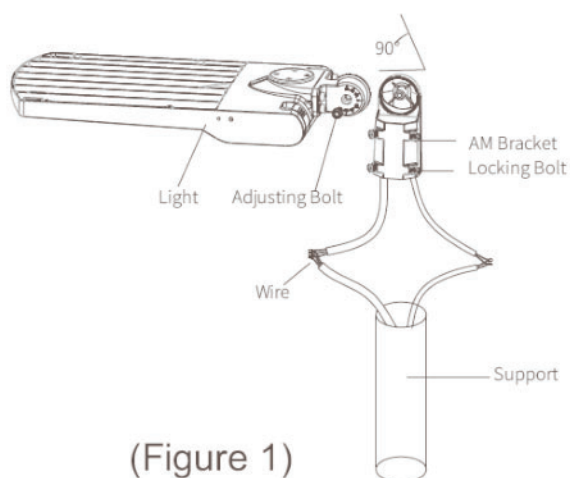
## ► Installation

### 1. ADJUSTABLE FITTER MOUNTING (e=AM)

Step 1: Connect the wire correctly and put the wires into pole. Then fasten the locking bolts between slip fitter and the pole. (Figure 1)

Step 2: Loosen the fixing bolts and adjusting bolts, align the fixture to required angle. Tighten adjusting bolt and fixing bolts after the angle is confirmed. (Figure 2)

Notice: Adjustable angle is 0-+/-90° (Figure 1)



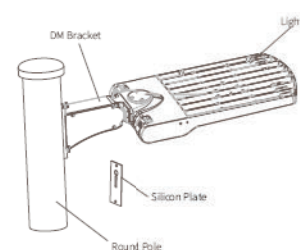
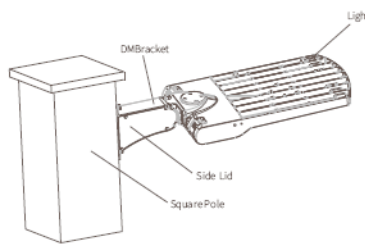
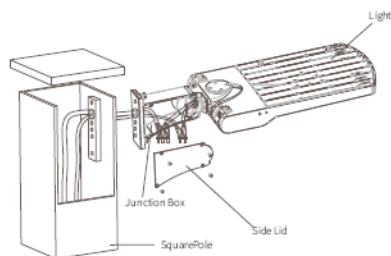
### 2. DIRECT MOUNTING (e=DM)

Step 1: Fix the DM bracket to the square pole with bolt, open the side lid of DM bracket, pull the wire into junction box, and connect the wires correctly (Figure 3)

Step 2: Put the connected wires into the junction box, then cover the junction box (Figure 4)

Notice: Adjustable angle range is 0-35° (Figure 3)

Same as round pole installation, please remember to remove the silicon plate when install the fixture in round pole (Figure 5)



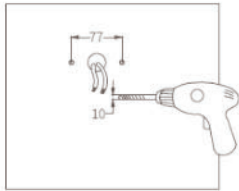
### 3. YOKE MOUNTING[e=YM]

Step 1: Drill holes on the wall as shown in[ Figure 6]

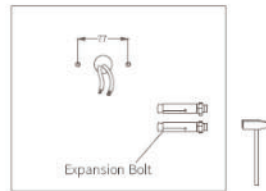
Step 2: Knock the expansion bolts into the wall.(Figure 7)

Step 3: Connect the fixture to the bracket and tighten the screws; connect the wires properly and put them into junction box.(Figure 8)

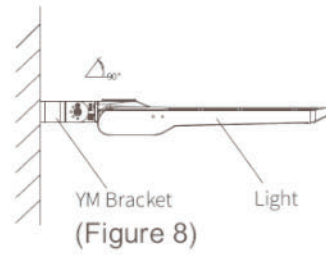
Notice: Adjustable angle is 0-90°[Figure 8]



(Figure 6)



(Figure 7)



(Figure 8)