

Product Description

The Alume Gooseneck is a unique decorative lighting fixture. The elegant and curved gooseneck arm is a simple and low-key appearance design that can be applied to a variety of architectural styles. Installation is quick and easy with color selectable up to five temperatures. Enhance your outdoor and indoor spaces with this durable and energy-efficient 28W LED Gooseneck, designed for both style and functionality. This fixture has superior performance in a variety of wet location environments.

> Quick Ship - In Stock, Ready to Ship

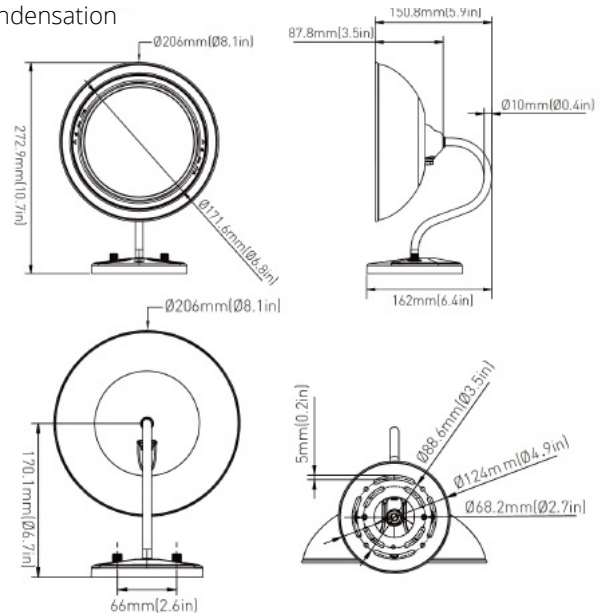
| | | | |
|--------------|--|-------|--|
| Project: | | Type: | |
| Location: | | | |
| Prepared By: | | Date: | |
| Comments: | | | |

Performance Summary

- Energy-efficient Philips Lumileds SMD LEDs with high efficacy >110 Lm/W
- In stock and ships from several U.S. locations for quick delivery
- Easy access to control switch for a range of CCT's from 2700K to 6500K
- Patented design with high quality components, excellent choice for retrofitting
- National listing lab tested to IES standards with a 120 degree Type V optic
- High lumen maintenance exceeds DOE requirements
- Solid State with high-shock and vibration resistance
- 1/9th LED micro color binning enables tight color control
- Advanced refraction and reflection optical design
- Shatterproof polycarbonate anti-glare diffused lens over the LEDs
- Well distributed light using a patented reflecting system
- Integrated photocell included providing dusk to dawn functionality
- Die cast aluminum housing with durable bronze powdercoat finish
- Aluminum shade resistant to corrosion and abrasion
- Housing is sandblasted and polished for corrosion resistance
- Housing and driver compartment is one piece to maximize heat dissipation
- Mounting bracket, screws, and gasket included to fit fixture to a wall junction box
- Streamlined housing, no rough edges or scraping, with SUS316 stainless steel hardware
- CNC machined LED boards are flatness controlled to 0.1mm to speed up heat dissipation
- Copper condensation valve balances the air pressure and prevents water vapor accumulation
- Patented double waterproofing design on the radiator and module to prevent condensation
- Advanced constant current 0-10V dimmable Sosen power supply
- No UV or RF interference, silent operation, no noise, no flickering
- Fast turn on with no warm up or cold start issues
- High power factor with IC controlled LED circuits and low THD driver
- Low junction temperature for long life and low lumen depreciation
- Instant illumination and restrike with no warm up or cold start issues
- Contains no mercury, lead, infrared or UV radiation and cool to the touch
- Commercial CRI: RA>80
- Operating temperature: -40 to 40 degrees celsius
- 100,000 hour LED life - IP65 rated for outdoor locations
- Certifications: CE, RoHS, FCC, cULus, UL, DLC
- 10 year limited warranty

Alume Gooseneck

CCT Adjustable
LED Dimmable Luminaire



Models:

- VDLSGS28 - 28W - 3416 Lm - 2700K/3000K/4000K/5000K/6500K - 0.23A

| Ordering Information: | | | | Part Number: | | |
|------------------------------|-----|-------------------------|----------------|--|-----------------|---------------------|
| *Adder Applies | | | | Ordering Example: VDLSGS28W-CT-T5-V27-BZ-WM-DM | | |
| Family | CCT | Optic | Voltage | Finish | Mounting | Dimming |
| VDLSGS28 | CT | T5 - 120 Degrees Type V | UNV - 120-277V | BZ - Bronze | WM - Wall Mount | DM - 0-10V Dimmable |



Vivid Leds, Inc.
PO BOX 9
Sellersburg, IN 47172
330-809-0431
www.vividleds.us

Dimensions, specifications, and product pictures are subject to change without notice.

The product on this page is a manufactured to order, non-stocking item. This product cannot be returned for refund or credit.

A8

Revised 4.22.26