

Iris EX C1D1 Round

Installation Instructions

Hazardous location light (Type C)

Important

READ INSTRUCTIONS CAREFULLY BEFORE INSTALLING. KEEP THIS INSTRUCTIONS FOR FUTURE REFERENCE.

Fixtures must be wired in accordance with the National electrical code and all applicable local codes. Proper grounding is required for safety.

THIS PRODUCT MUST BE INSTALLED IN ACCORDANCE WITH THE APPLICABLE INSTALLATION CODE BY A QUALIFIED ELECTRICIAN WHO IS FAMILIAR WITH THE CONSTRUCTION AND OPERATION OF THE PRODUCT AND THE HAZARDS INVOLVED.

Warning: Risk of fire or electric shock. High bay Light installation requires knowledge of luminaires and electrical systems. If not qualified, DO NOT try to install. Please contact an electrician.

Warning: Risk of fire or electric shock. Suitable for wet locations. Make sure the power is off premier to install.

Warning: Risk of fire or electric shock. Suitable for non-insulated surface and frame. DO NOT cover fixture with insulation liner or similar material.

Warning: DO NOT install in unstable, loose or breakable surfaces.

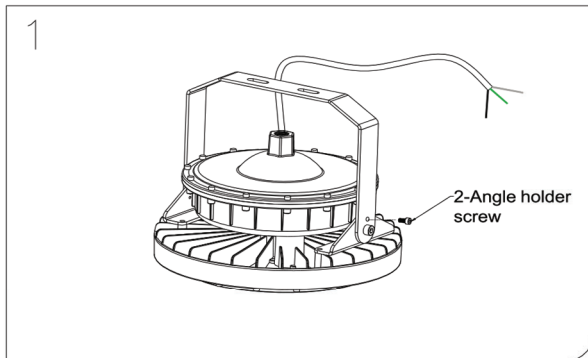
Warning: DO NOT let objects impact or exert force on the surface of the fixture.

Installation Steps(Ceiling mounted)

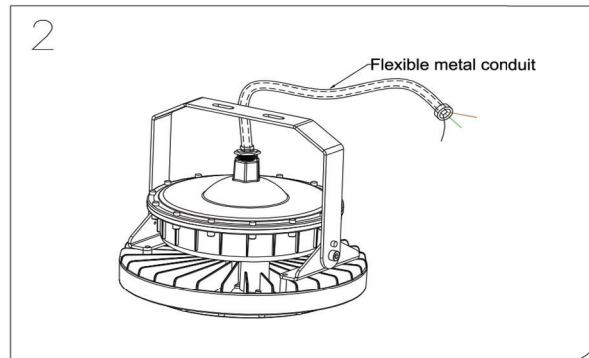


WARNING

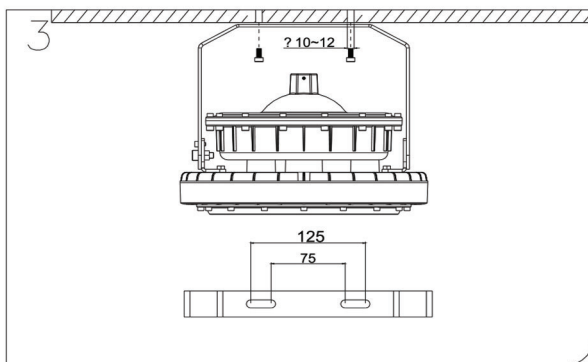
Risk of fire, Electric shock or personal injury
Before installation, turn off power!



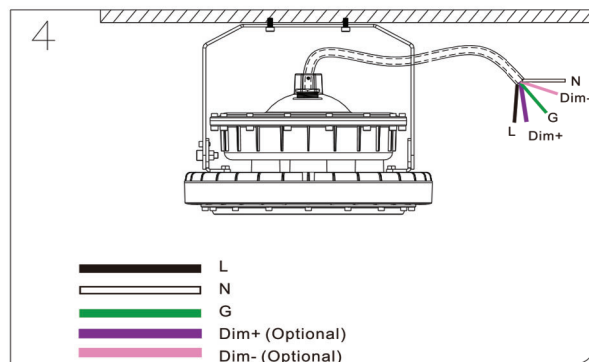
1. Take the fixture and accessory out from cartoon box, tighten 2x angle holder screw as Fig.1..



2. Flexible metal conduit installed with the fixture.



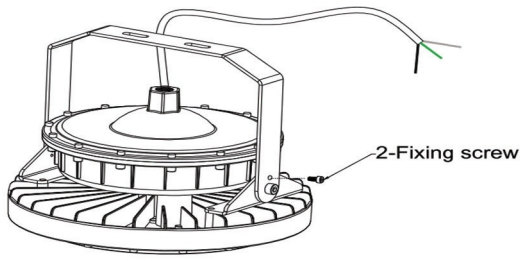
3. Drill 2x hole as Fig.3, the distance can be 75~125mm, fixing $\varnothing 10\sim 12$ expanded screws and bracket on ceiling..



4. Connect the AC cable to power supply, black to L, white to N, green to G, purple to Dim+, pink to Dim-.

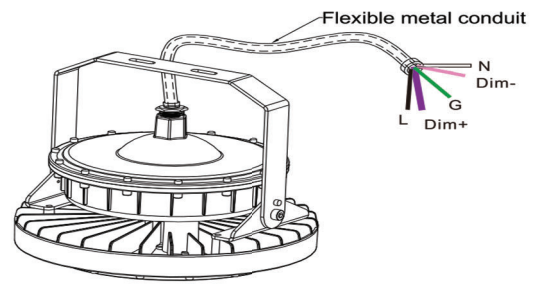
Installation Steps (Wall mounted)

1



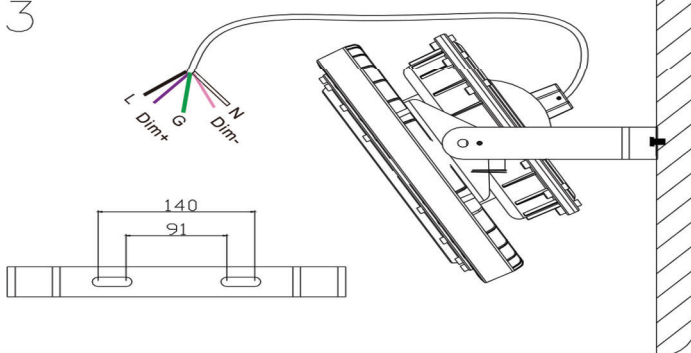
1. Take the fixture and accessory out from cartoon box, tighten 2x angle holder screw as Fig.1..

2



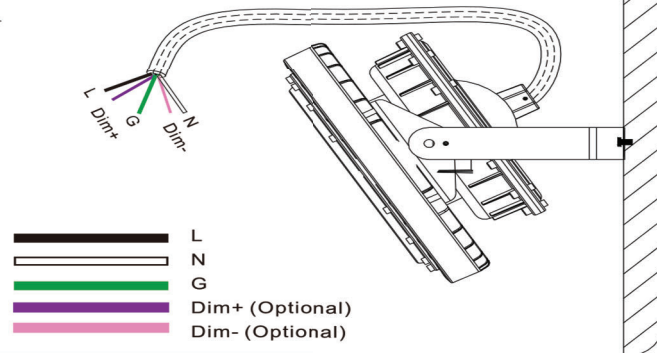
2. Flexible metal conduit installed with the fixture.

3



3. Drill 2x hole as Fig.3, the distance can be 91~140mm, fixing $\varnothing 10$ expanded screws and bracket on ceiling.

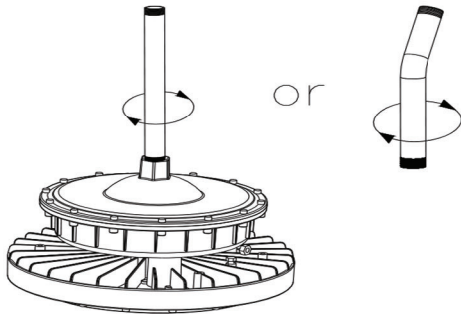
4



4. Connect the AC cable to power supply, black to L, white to N, green to G, purple to Dim+, pink to Dim-.

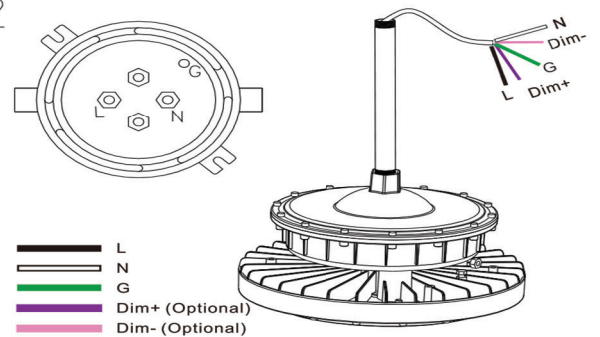
Installation Steps(Pole mounted)

1



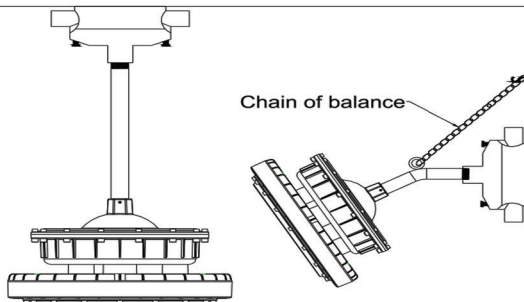
1. Take the fixture and accessory out from cartoon box, tighten 2x angle holder screw as Fig.1..

2



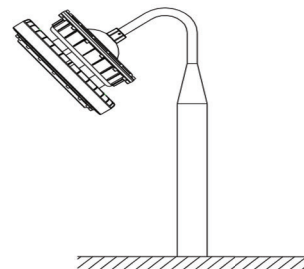
2. Connect the AC cable to power supply, black to L, white to N, green to G, purple to Dim+, pink to Dim-.

3



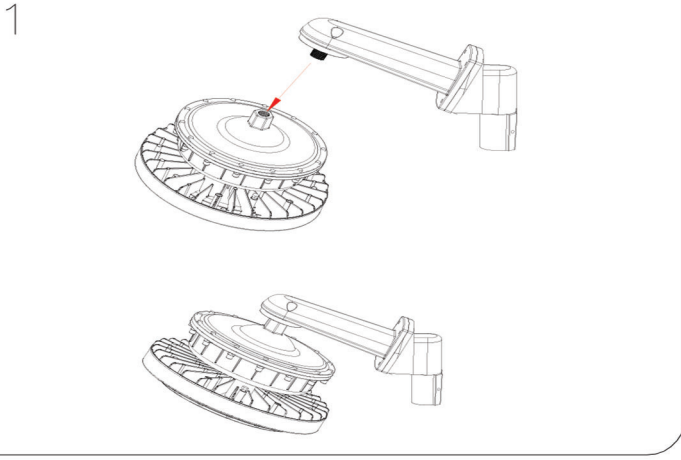
3. Install the installation box to the wall or ceiling as Fig.3. Tighten the pole to the box, and adjust the chain of balance.

4

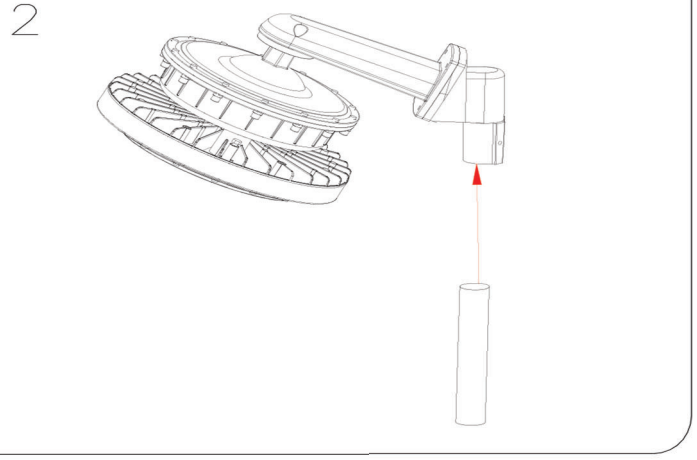


Optional: Install the fixture to the pole after cable connecting.

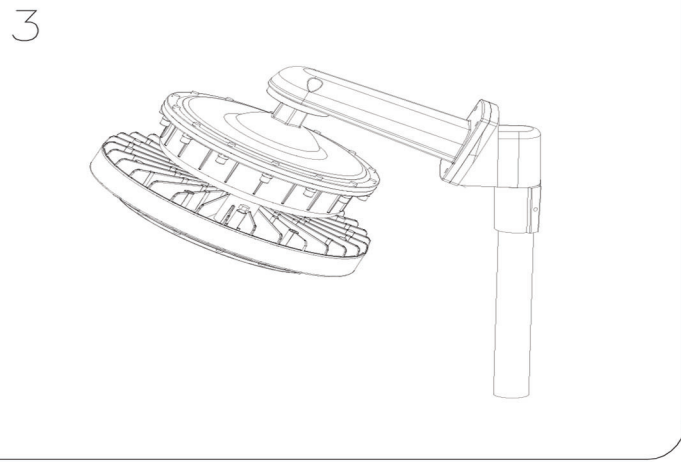
Installation (Stanchion mounted)



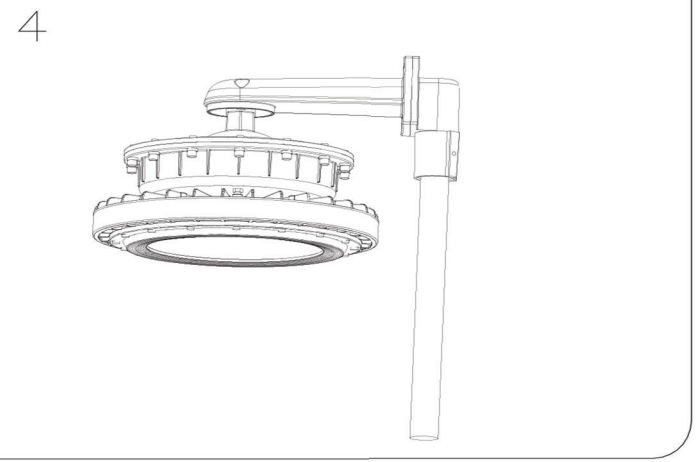
Step 1: Install the conversion bracket into the outlet hole of the luminaire.



Step 2: Turn off the power, connect the lamp power cord with the power cord assigned to the pole.



Step 3: Install the assembled light fixture into the pole and tighten all screws.



Optional: 90 degree stanchion mounting