

⚠ Notice

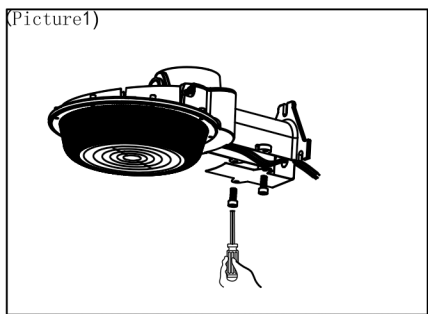
PLEASE READ ALL INSTRUCTIONS BEFORE ATTEMPTING INSTALLATION

- To prevent personal injury or product damage only licensed electricians should install.
- To avoid electric shock or component damage disconnect power before attempting installation or servicing.
- This product must be installed in accordance with the national electric code (NEC) and all applicable federal, state and local electric codes and safety standards.
- Disconnect product and allow cooling prior to servicing.
- Any alteration or modification of this product is expressly forbidden as it may cause serious personal injury, death, property damage and/or product malfunction.
- To prevent product malfunction and/or electrical shock this product must be properly grounded.
- This luminaire is designed to operate in ambient temperatures ranging from -30°C to 45°C and to be horizontally mounted with the LEDs facing down.

Unpacking

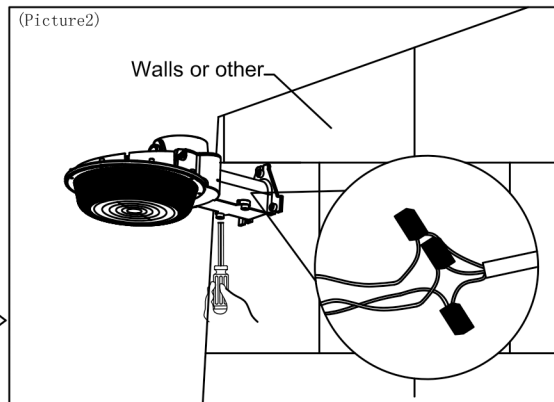
Check the damage fixture thoroughly, Report to the carrier if goods damaged.

1. Installation

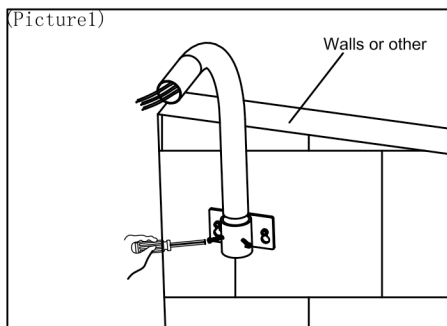


2. use tools to drill three holes on the wall. Then mount the canopy and luminaire to the wall after that ,connect the power lead to branch circuit at last,secured the covers to luminaire by screws
Note: A listed canopy (IFFX/7) must be provided by client.

1. Use tools to remove two screws and covers from the luminaire. (as shown in the picture)



2. Installation



2. Lock the pressure plate on the lamp with two screws, install the lamp on the mounting arm and lock it. Ensure that the luminaire and installation arms are firm, and then open the drive housing cover and connect the power lead to branch circuit after that, locked the cover with screws.

1. Use professional tools to drill two screw holes on the wall. Install the bracket on the wall and tighten the screws. Then install the mounting arm on the bracket and fix it with two screws. (as shown in the picture)

