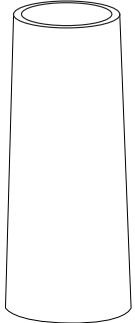
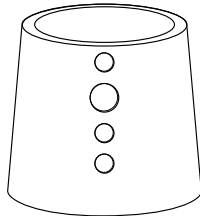


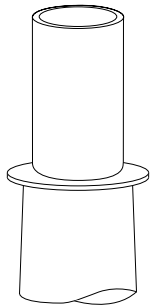
## Round Tapered Steel Poles



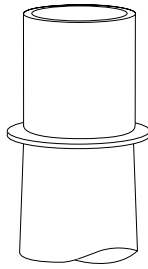
**Round Tapered**  
Taper Rate=0.14"/FT



**Side Drills:**  
2 at 180°



**P2S**  
2 7/8" x 4" Tenon



**P3S**  
2 7/8" x 3" Tenon



Round Tapered Steel poles are built from high strength steel tube and are available side drilled for arm mounted area lighting luminaires or with tenon mounts for flood and post top luminaires. Typical area lighting applications include retail centers, industrial parks, schools and universities, public transit and airports, office buildings and medical facilities. Mounting heights of 15 to 25 feet can be used based on selected luminaire application.

### Specifications and Features:

#### Pole Specifications:

Conforms to ASTM-A 500 Grade B: Minimum Yield Strength of 46,000 PSI. Wall Thickness 11 Gauge (.120").

#### Finish:

Textured Architectural Black or Bronze Powdercoat Finish, Baked to Ensure Maximum Paint Adhesion, Hardness and Durability.

#### Anchor Bolts:

Anchor Bolts are Included, Sized Based on Pole Data Charts for the Selected Pole Size.

#### Hand Hole:

Cast Iron Reinforced Hand Hole and Cover with Ground Screw.

#### Base Cover:

Poles are Provided With a Two-Piece Formed Steel Base Cover that is Easily Assembled and Fitted Over Pole Base.

#### Pole Length:

Poles are Available in Standard Lengths as Shown in the Order Matrix.

#### Mounting Options:

Standard Length Poles Include Side Drilled 2@180°, UV-Stabilized Polycarbonate Top Cover and Hole Plugs for Unused Drilling Locations.

Poles Can Be Side Drilled for 3@120° For 2@90°, 3@90°, or 4@90°, a PTASUNV (Z, B) Must Be Ordered with P2 Tenon on Pole, Includes Hole Plugs for Unused Drilling Locations.

### Project Information:

Project Name:	Fixture Type:
Complete Catalog #:	Date:
Comments:	

### Notes:

Specifications subject to change without notice. 12.24.24

### Order Information Example:

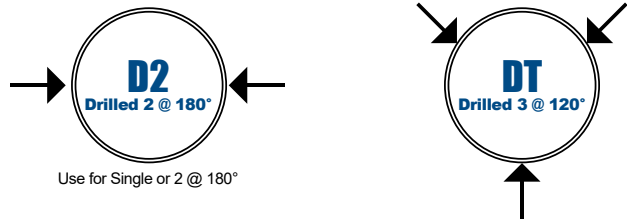
VVDPRTS20572911ZP2 \*\*\*Adder Applies

Model	Height/Shaft/Gauge (Pick One)	Color	Pole Top Mounting	Options
VVDPRTS Round Steel Pole	15502911=15', 5.0" Base x 2.9" Top, 11 Ga. 20572911=20', 5.7" Base x 2.9" Top, 11 Ga. 25642911=25', 6.4" Base x 2.9" Top, 11 Ga.	Z=Bronze (1) B=Black (2) CS=Custom (Adder Applies)	D2=Drilled 2 Sides at 180° with Plugs (3) (Use for Single & 2 @ 180° Mounting) DT=Drilled 3 Sides at 120° with Plugs (3) P0=Pole Top as 2.9" O.D Tenon (4) P2=Steel 2 7/8 x 4"H Tenon (5) P3=Steel 2 7/8 x 3"H Tenon (5) N=No Pole Top Mounting	(Leave Blank)=No Options LAB=Less Anchor Bolts (7) LBC=Less Base Cover (7) PAB=Preship Anchor Bolts (8)***

#### NOTES:

- (1) 20 ft and 25 ft models
- (2) 15 ft and 20 ft models
- (3) Includes black plastic pole cap. Note that PRTS Poles come drilled for both D and E Drill Template option in a single universal pattern
- (4) Pole top may be used as tenon mount for fixtures that fit to P3 Tenons.
- (5) Tenon mounted to pole with 2 bolts
- (6) See Arm Template Diagrams for dimensions and fixture series that apply.
- (7) All poles include anchor bolts standard, consult dimension table for size based on pole dimensions
- (8) Pole must be ordered to select this option (not available for accessory parts anchor bolt orders)

#### Pole Top Mounting:



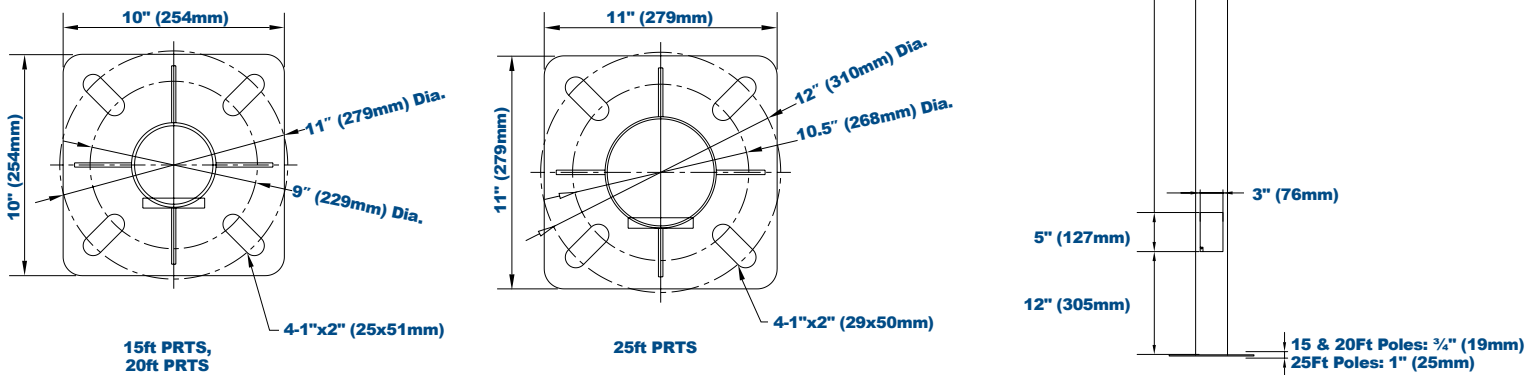
#### Wind Loading and Dimensional Data:

Catalog Logic	Pole Description				90 MPH		100 MPH		110 MPH		120 MPH		130 MPH		140 MPH		Structure Weight (LBS)
	Mounting Height	Base O.D. (Inches)	Top O.D. (Inches)	Base O.D. (Inches)	Wall Thickness (Gauge)	Max Weight (LBS)	Max EPA (SQ FT)	Max Weight (LBS)	Max EPA (SQ FT)	Max Weight (LBS)	Max EPA (SQ FT)	Max Weight (LBS)	Max EPA (SQ FT)	Max Weight (LBS)	Max EPA (SQ FT)		
15502911	15'	5.0"	2.9"	11"	17.3	433	14.2	355	11.8	294	10.0	319	8.7	218	7.8	194	103
20572911	20'	5.7"	2.9"	11"	11.9	296	9.8	244	8.0	201	6.8	191	5.8	145	5.0	124	145
25642911	25'	6.4"	2.9"	11"	8.1	203	6.7	167	5.5	137	4.6	115	3.8	96	3.2	79	187

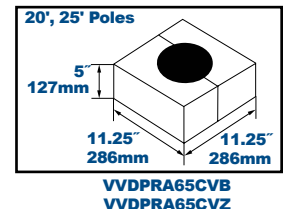
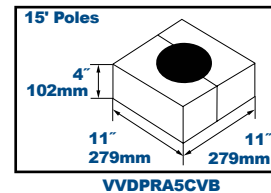
#### NOTES:

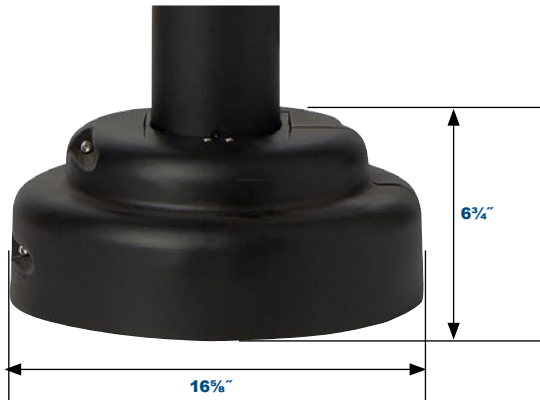
1. Maximum EPA (Effective Projected Area) and weight values are based on AASHTO 2009 LTS-5.
2. Consult factory on loading criteria for pole top mounted luminaires and/or brackets.
3. Variations from sizes above are available upon inquiry at the factory.
4. Satisfactory performance of poles is dependent upon the pole being properly attached to a supporting foundation of adequate design.
5. Structure weight is a nominal value which includes the pole shaft and base plate only.

#### Pole Data:

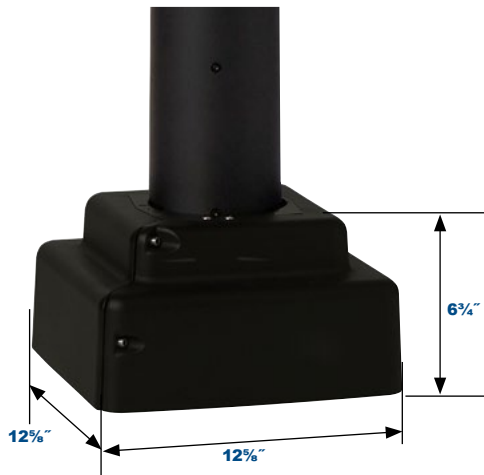


Shaft Base Size	Bolt Circle A	Base Size B	Base Thickness C	Bolt Projection	Anchor Bolt Size
15 Ft, 11 Gauge	9"-11" (229-279mm)	10" (254mm)	3/4"	4"	M20 x 27 1/2"
20 Ft, 11 Gauge	9"-11" (229-279mm)	10" (254mm)	3/4"	4"	M20 x 27 1/2"
25 Ft, 11 Gauge	11"-12" (279-305mm)	11" (279mm)	1"	4"	M22 x 33"





**VVDPBR1**



**VVDPBS1**

## PB Series (15Ft VVDPRTS Only)

### Cast Aluminum Decorative Clamshell Bases

Decorative Clamshell Bases are designed to create a clean decorative look and cover pole base anchoring hardware. Two styles are available in matching finish to coordinate with pole selection.

#### Specifications and Features:

##### Clamshell Bases:

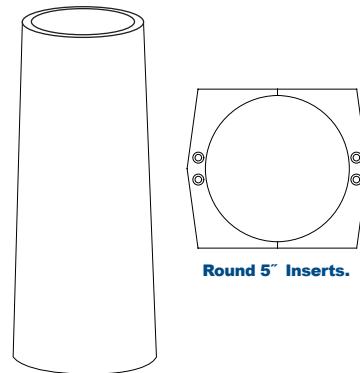
Die cast aluminum, Stainless Steel Hardware. VVDPBR1 and VVDPBS1 include sets of inserts that allow use on 15ft VVDPRTS Round Tapered Steel Pole only. **Does not fit 20 or 25ft Poles.**

##### Finish:

Textured architectural powdercoat finish, baked to ensure maximum paint adhesion, hardness and durability.

##### Pole Fit:

Bases are designed to fit poles based on dimensions shown.



**VVDPRTS**  
15 Ft Pole Only

#### Order Information Example:

VVDPBR1B

	<b>B</b>
Model	Color
VVDPBR1=Round Base VVDPBS1=Square Base	B=Black C=Custom (Consult Factory)

Note: 15 Ft Pole Only

#### Project Information:

Project Name:	Fixture Type:
Complete Catalog #:	Date:
Comments:	

#### Notes:

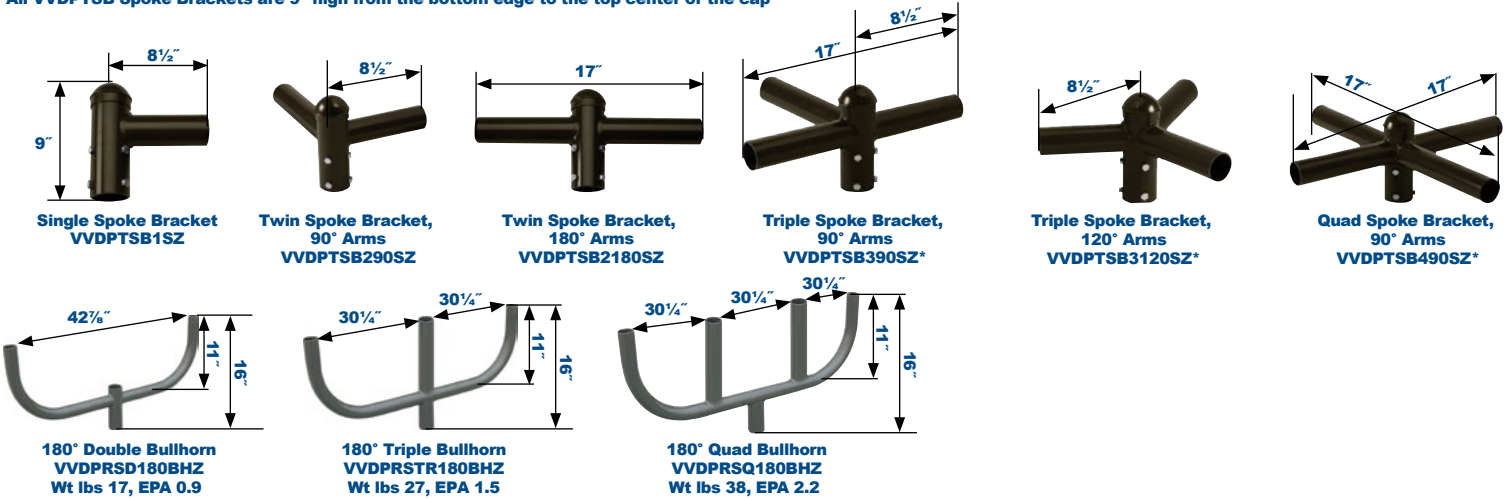
## Round Tapered Steel Pole Mounting Options (Order separately, field installed.)

### Spoke Brackets and Bullhorns:

Bronze Finish, Spoke Bracket have 7" Arms. Fit 2 1/2" (P2) Tenons.

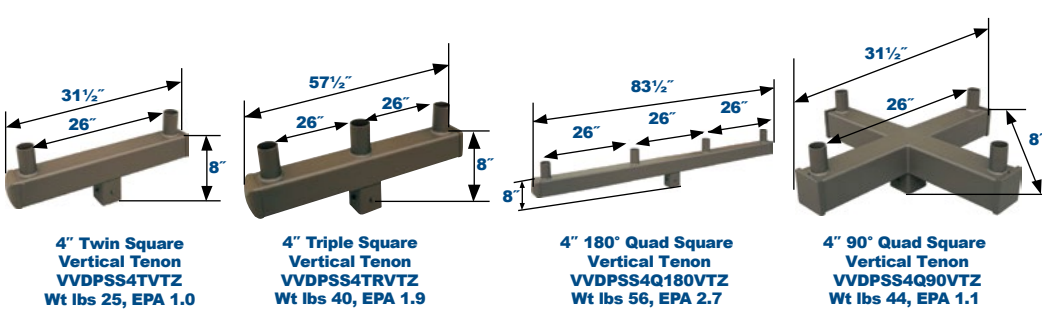
\*Non-stock item. Consult factory for lead time.

All VVDPTSB Spoke Brackets are 9" high from the bottom edge to the top center of the cap



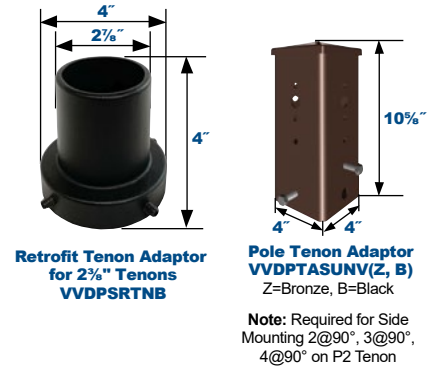
### Vertical Tenon Pole Top Fitters:

4" High Vertical Tenons, Bronze Finish, Fit 2 1/2" (P2) Tenons

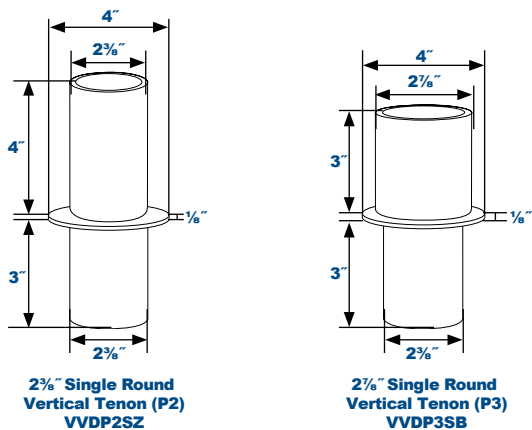


### Tenon Adaptor:

Fit 2 1/2" (P2) Tenons.



### Vertical Tenon Pole Top Fitters:



Fits VVDPRTS Poles

### Replacement Parts:

#### Replacement Parts (Order Separately, Field Installed)

VWDP2SZ	P2 Steel Tenon, Bolt in with 2 Bolts Bronze Finish
VWDP3SB	P3 Steel Tenon, Bolt in with 2 Bolts Black Finish
VVDPRTS35CB	Top Cap for Round Tapered Steel Poles, Plastic, 3.5" Dia.
VVDPRA5CVB	15Ft VVDPRTS Pole Square Formed Aluminum 2-Piece Base, Black Finish
VVDPRA65CVB	20/25Ft VVDPRTS Pole Square Formed Aluminum 2-Piece Base, Black Finish
VVDPRA65CVZ	20/25Ft VVDPRTS Pole Square Formed Aluminum 2-Piece Base, Bronze Finish
VVDPAB34X30	Anchor Bolt for VVDPRTS 15Ft and 20Ft Pole
VVDAB1X36	Anchor Bolt for VVDPRTS 25Ft Pole



VVDPRA5CVB,  
VVDPRA65CVB,  
VVDPRA65CVZ