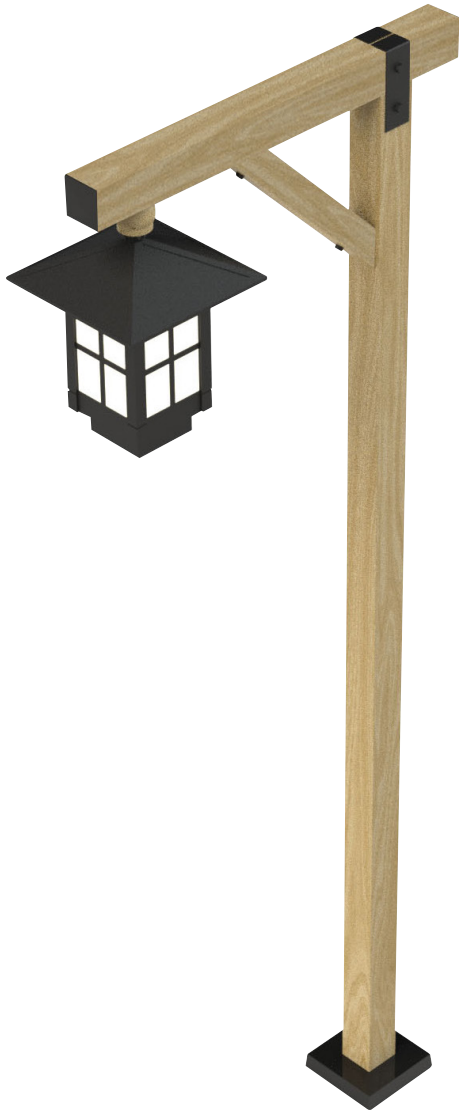
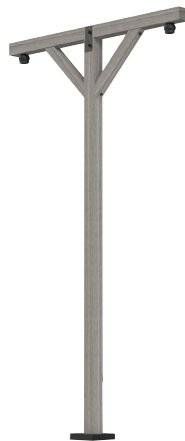




Wood Finish Square Straight Smooth Anchor Base



**Natural Wood with
Single Arm Mount**



**Dry Birch with
Double Arm Mount**



**Walnut with
Single Arm Mount**

Specifications and Features:

- 8' to 18' standard mounting heights.
- For single or multiple luminaire mounting.
- Luminaires may be mounted on tenons, pendant or shaft may be drilled to manufacturer's mounting specifications.

Structural Base

A356 alloy sand cast aluminum, four bolt base. Bolt covers are provided.

Handholes

All square standards include a peripherally reinforced surface-mounted covered handhole centered 18" above the bottom of the standard. The opening is rectangular in shape with the major dimensions along the vertical axis. The opening in the 4" square standards is 2" x 4" and the 6" square standards is 2½" x 4". A grounding lug is also provided.

Tenons

T300=Standard for post top (2½" OD x 3" tall)

T355=Standard for shepherd's crook arms (2½" OD x 5.5" tall)

CAP=Removable cap, no tenon

Anchor Bolts

Standard with each pole: includes four steel hot dip galvanized anchor bolts each with two nuts, two flat washers and one lock washer.

Options (Factory Installed)

WAM (SA or DA)=Single or double wood grain finish arm assembly, to match pole finish

GFIC=Weatherproof GFI in-use cover, cast aluminum*

GFIP=Weatherproof GFI in-use cover, plastic*

SBC=Spun Base Cover

USB=Dual USB Port*

*Must indicate location (See Orientation Guide on last page)

Finish

Super durable polyester TGIC powder coat with wood grain finish. Standard finishes: Natural Wood, Cedar, Dry Birch, and Walnut for pole and arm.

Project Information:

Project Name:	Fixture Type:
Complete Catalog #:	Date:
Comments:	

Notes:

Ordering Guide:

Order Information Example:

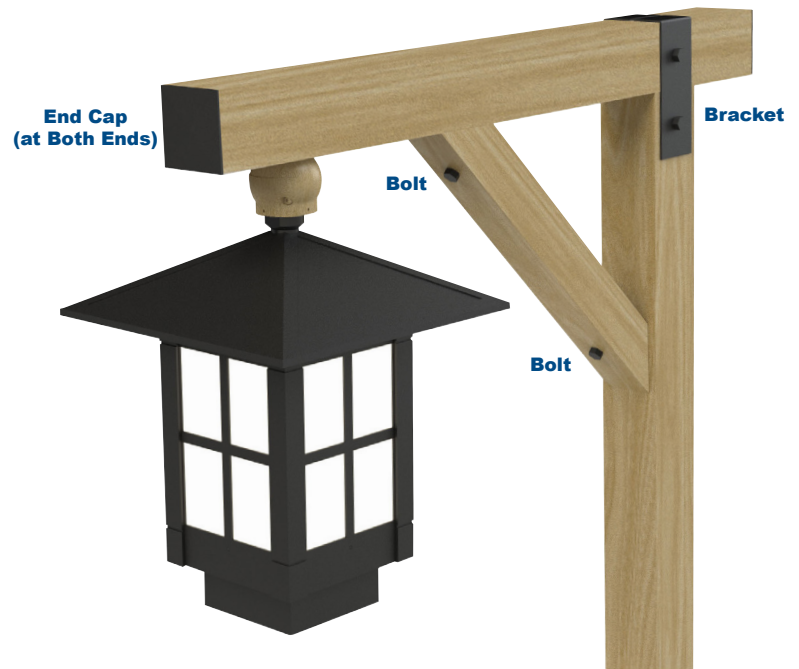
VVDS412AS188WAMSACDBK

Pole Size	Height	Pole Base & Shaft Type	Wall Thickness	Pole Top	Options	Finish	Accent Finish
VVDS4 =4" Square VVDS6 =6" Square	8 =8' 10 =10' 12 =12' 14 =14' 16 =16' 18 =18" *T300 & T355 Tenon Only.	AS =Anchor Base*/ Smooth Shaft *Bolt Hole Covers Included	188 =0.188	N =None T300 =2 1/4"ODx3" Tall T355 =2 1/4"ODx5.5" Tall WAM =Wood Finish Arm mount CAP =Removable Cap, No Tenon* *Specify Drill Pattern For Side Mount	N =None SA =Single Arm DB =Double Arm GFIG =GFI In-Use Cover, Cast Aluminum* GFIP =GFI In-Use Cover, Plastic* USB =Dual USB Port* SBC =Spun Base Cover *Indicate location	NW =Natural Wood CD =Cedar DB =Dry Birch WN =Walnut	STANDARD FINISHES BK =Black BZ =Bronze DBZ =Dark Bronze WH =White GR =Green SM =Silver Metallic GY =Light Gray TBK =Textured Black* CC =Custom Color (Consult Factory) *Matches Black Finish

Wood Grain Finish Options

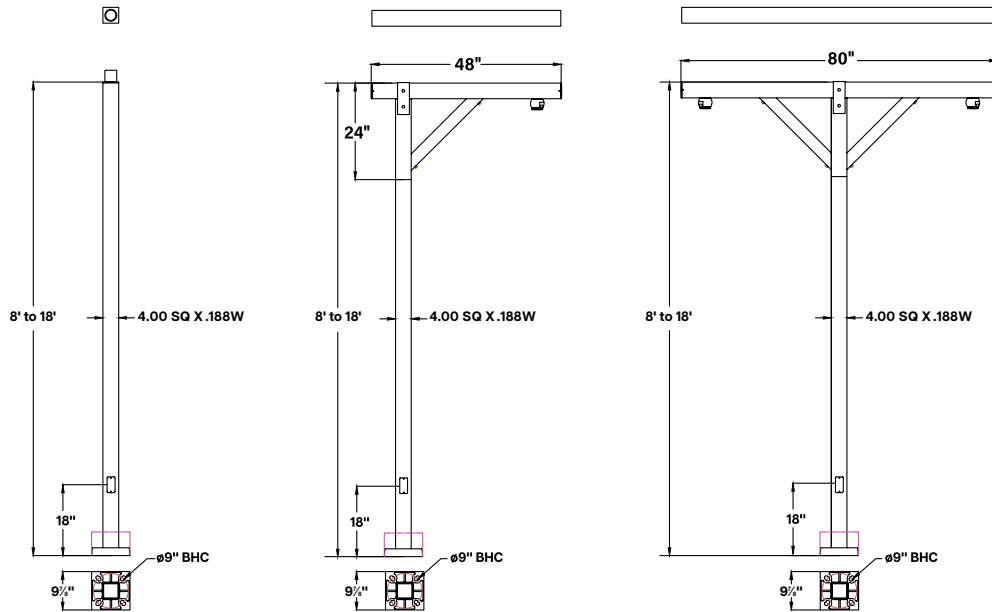


Accent Finish Options

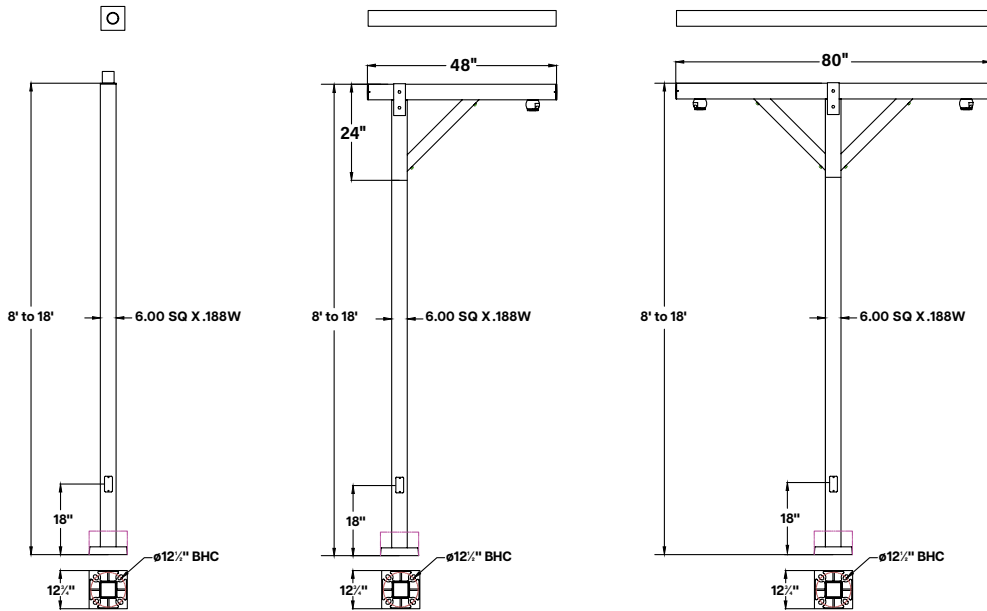


Pole Accent Finish can be selected to match or complement fixtures.

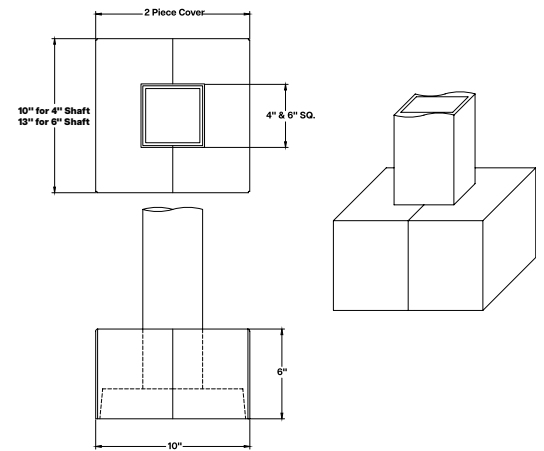
Dimensions



4" Square Straight Pole Dimensions



6" Square Straight Pole Dimensions

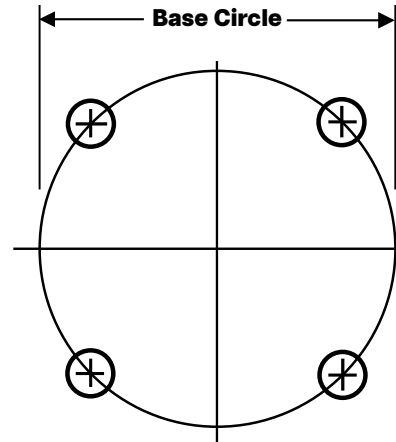
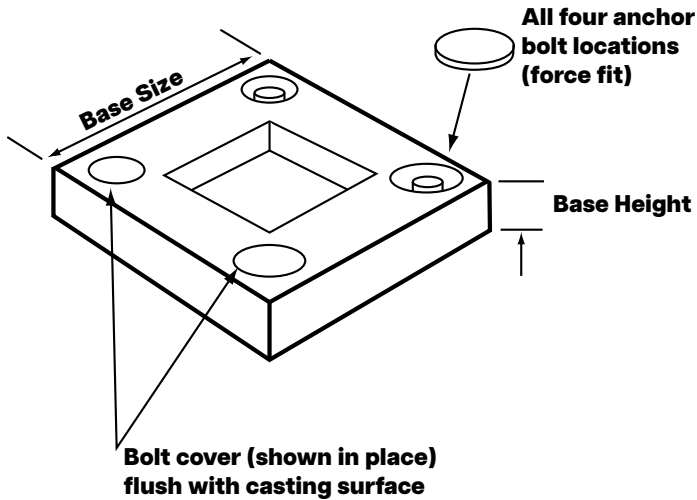


**Optional 2 Piece Anchor Base Dimensions
(Field Installed)**

Anchor Base and Bolt Details

Pole Size	Bolt Circle	Bolt Projection	Bolt Size	Conduit Opening	Base Height	Base Size
4" SQ.	8½" - 9½"	3"	¾" x 25" x 3"	3½"	2"	9⅝" SQ.
6" SQ.	12½"	4"	1" x 36" x 3"	5½"	2¼"	12¾" SQ.

Actual anchor bolt size may differ slightly



Wind Loading and Dimensional Data:

POLES	TYPICAL WEIGHT AND ALLOWABLE SIZE OF LUMINAIRES						DIMENSIONS OF STANDARDS			
	MODEL NUMBER	MOUNT HEIGHT	LUMINAIRES WEIGHT-LBS	EFFECTIVE PROJECTED AREA-SQ FT-AT:			STANDARD HEIGHT	OUTSIDE DIMENSIONS	WALL	
			70 MPH	80 MPH	90 MPH	100 MPH	110 MPH			
S48AS188	8'	150	22.1	16.5	12.6	9.9	7.8	8'	4"	.188
S410AS188	10'	150	19.5	14.4	10.9	7.9	6.5	10'	4"	.188
S412AS188	12'	150	17.0	12.4	9.2	6.9	5.2	12"	4"	.188
S414AS188	14'	150	13.1	9.3	6.7	4.8	3.4	14'	4"	.188
S416AS188	16'	150	10.1	6.9	4.7	3.7	1.9	16'	4"	.188
S616AS188	16'	150	16.5	11.8	8.5	6.2	4.5	16'	6"	.188
S418AS188	18'	150	7.7	4.9	3.0	1.7	0.7	18'	4"	.188
S618AS188	18'	150	31.5	22.5	16.4	11.9	8.7	18'	6"	.188

*EPA Notes: Effective Projected Area (EPA) in Square Feet. EPA's Calculated using wind velocity (mph) indicated in accordance with 2009 AASHTO LTS-5