



Wood Poles



Specifications and Features:

- 8' to 16' Standard Heights
- 5-1/2" x 5-1/2" Laminated Kiln-Dried After Treatment Timber Pole Shaft

Kiln-Dried After Treatment Timber Pole Shafts provide the stability of kiln-dried lumber and the durability of pressure-treated wood. The hollow design of these laminated pole shafts are engineered to provide a higher load capacity compared to solid pressure treated posts.

Pole Shaft:

- Engineered to enhance the reliable strength of Southern Yellow Pine.
- Reinforced using a high-pressure treatment process to ensure the wood is protected throughout its grain.
- Protected against termites/insects, and moisture related issues.
- After being pressure treated, the posts are then kiln-dried. This eliminates excessive moisture content providing maximum stability and weight reduction.

Structural Base:

A356 Alloy Sand Cast Aluminum, Four Bolt Base. Welded 6061-T6, 0.188" wall Aluminum Alloy pole sleeve and pole top mounting assembly. A Grounding Lug is Also Provided.

Tenons:

- T300**=Standard for Post Top (2⁷/₈" OD x 3" Tall)
- T355**=Standard for Shepherd's Crook Arms (2⁷/₈" OD x 5.5" Tall)

Anchor Bolts:

Standard With Each Pole: Includes Four 3/4-10x25" Steel Hot Dip Galvanized Anchor Bolts; Each with Two Nuts, Two Flat Washers and One Lock Washer.

Accessories:

GFIC=Weatherproof GFI In-Use Cover, Cast Aluminum (Must Indicate Location-See Orientation Guide On Last Page)

Base and Tenon Top Finish:

- Standard Finishes: High Gloss Black, Textured Black, High Gloss White, Medium Bronze, Dark Bronze, Green, Gray, Silver Metallic
- Premium Finishes (Adder): Verde Patina, Pewter Patina, Silver Sparkle, Semi Gloss or Matte Black
- Custom and Marine-Grade Finishes Are Available. All RAL Colors Are Available To Match (Adder).

Pole Shaft Finish:

Pole shaft is available on "N" No Stain that will be natural pressure treated finish ready for paint or stain to be applied in the field or with factory applied Sherwin-Williams SuperDeck Oil-Based Semi-Transparent Deck Stain in standard colors shown or any current Sherwin Williams SuperDeck Oil-Based Semi-Transparent Wood Stain color can be specified. Please consult factory with selection for price and lead time.

Warranty:

1 Year Limited Warranty

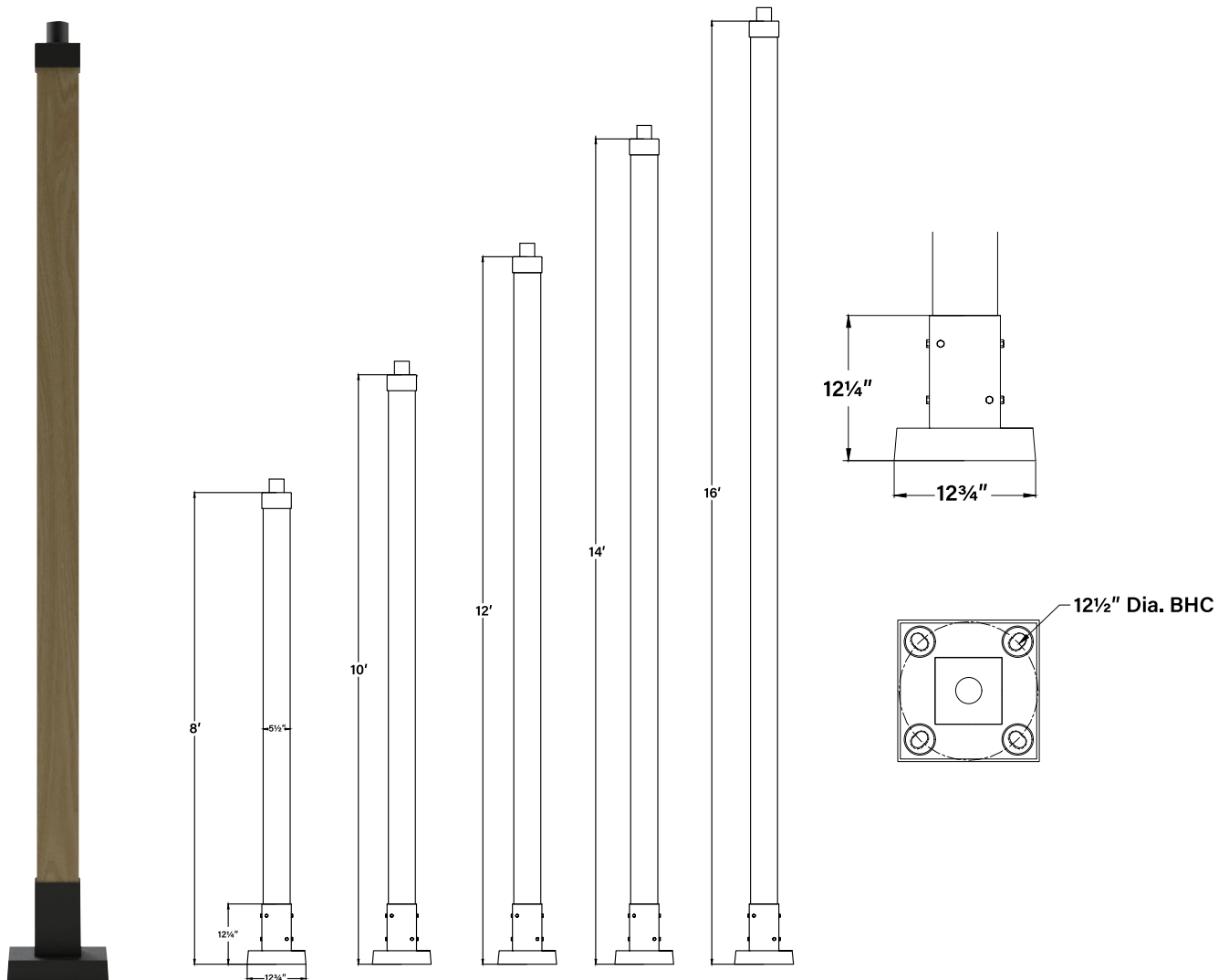
Project Information:

Project Name:	Fixture Type:
Complete Catalog #:	Date:
Comments:	

Certification & Listings:

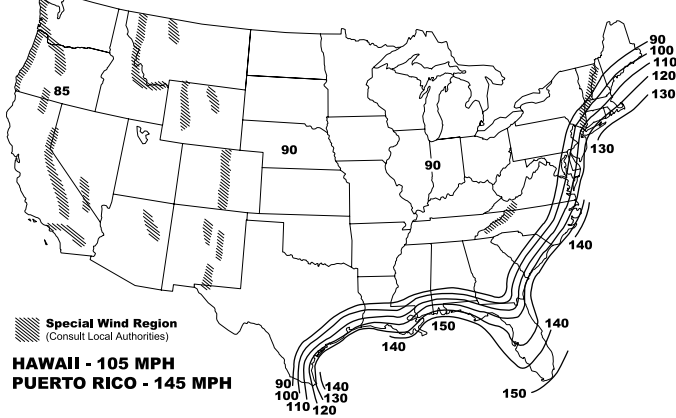
Order Information Example:		VVDPSP6616T355SWBGBKLAB				
PSYP	66					
Model	Size	Heights	Tenon	Stain Options	Finish For Tenon & Base	Anchor Bolts
VVDPSP=Wood Pole	66=6"x6" Base, 5/2"x 5/2" Laminated Wood Shaft	8=8' 10=10' 12=12' 14=14' 16=16'	T300=2/4"ODx3" Tall T355= 2/4"ODx5.5" Tall	N=No Stain SWBG=Sherman Williams DB2102 Beige Gray SWCO=Sherwin Williams DB2105 Coastal SWBB=Sherwin Williams DB2203 Bamboo SWRW=Sherwin Williams SW3507 Riverwood SWHC=Sherwin Williams SW3532 Hill Country SW=Custom Color*	STANDARD FINISHES BK=Black BZ=Bronze DBZ=Dark Bronze WH=White GR=Green SM=Silver Metallic GY=Light Gray TBK=Textured Black* CC=Custom Color (Consult Factory) *Matches Black Finish	Leave Blank If You Need Anchor Bolts LAB=Less Anchor Bolts (Customer Supplies Own Anchor Bolts*) *Customer is Responsible For Specifications Of Their Own Anchor Bolts. Vivid Leds Does Not Assume Any Product Warranty Liability

Dimensions



Wind Loading and Dimensional Data: ASCE 7-05 Wind Map EPA Load Rating-3 Second Wind Gust

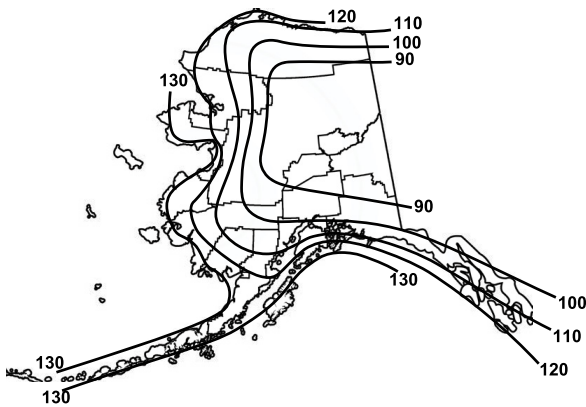
ASCE7-05 WIND MAP



MODEL#	90	100	110	120	130	140	150
VVDPSYP66-8	20.87	16.47	13.34	10.74	8.81	7.12	5.77
VVDPSYP66-10	15.51	12.02	9.43	7.12	5.53	4.1	3.02
VVDPSYP66-12	11.55	8.38	6.65	4.96	2.87	1.77	0.88
VVDPSYP66-14	8.10	5.42	3.45	1.94	0.77	NR	NR
VVDPSYP66-16	4.96	2.72	1.05	NR	NR	NR	NR

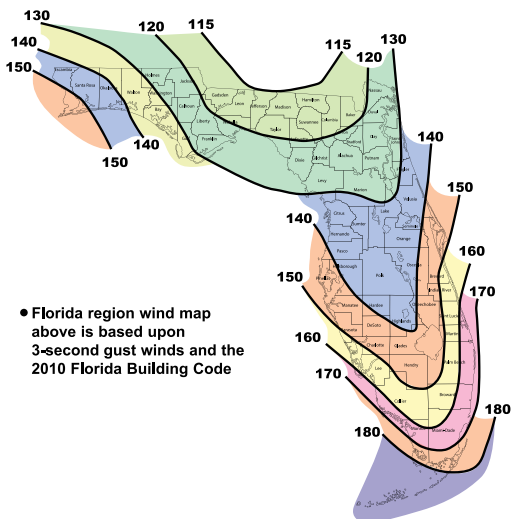
Vivid Leds provides this information as a guide only and assumes no liability for its use. Allowable pole EPA for jobsite wind conditions must be equal to or greater than fixture mount EPA. Responsibility lies with the specifier for the correct pole selection based on A.N.S.I. wind map and job location.

ALASKA REGION WIND MAP



Wind Loading and Dimensional Data: Florida Building Code 2017 EPA Load Rating - 3 Second Gust Wind Speeds

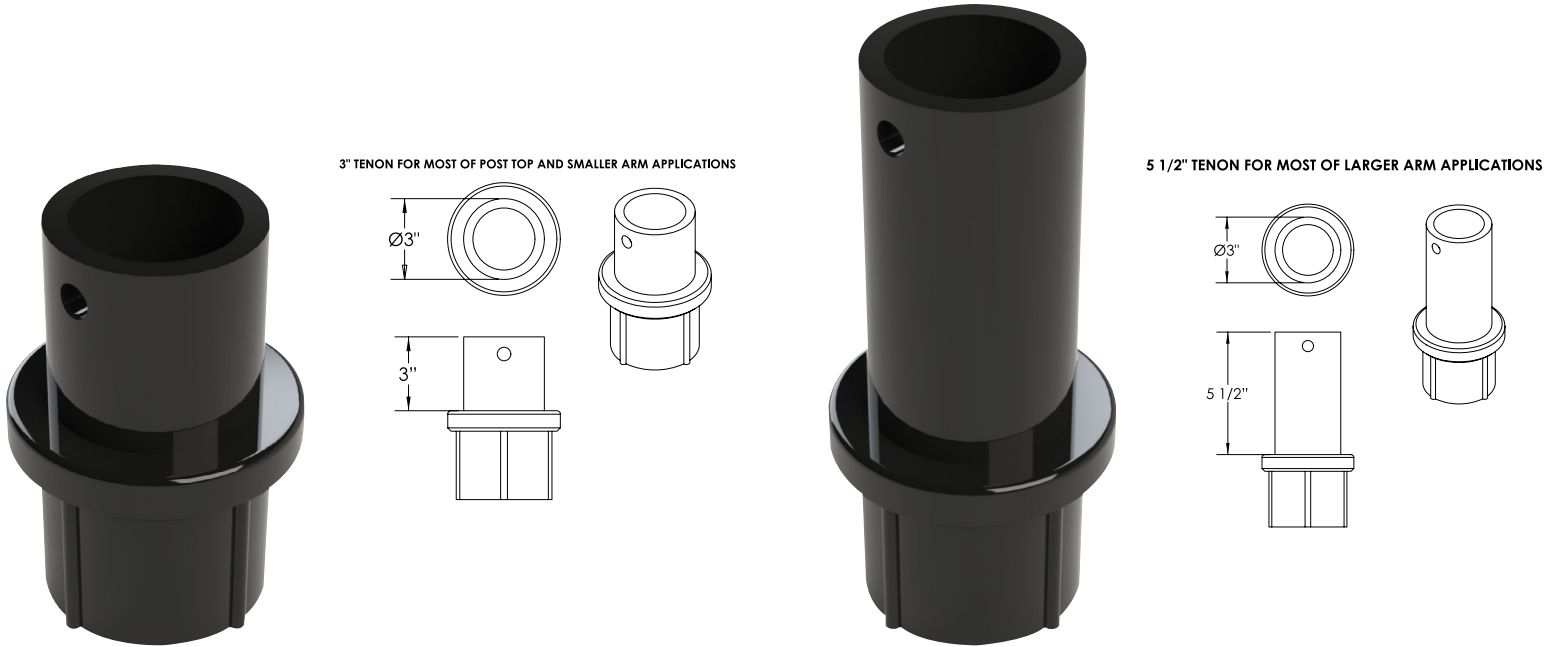
FLORIDA REGION WIND MAP



MODEL#	120	130	140	150	160	170	180
VVDPSYP66-8	15.53	11.25	9.97	7.58	6.43	6.10	5.77
VVDPSYP66-10	10.30	7.06	5.74	3.97	3.37	3.19	3.02
VVDPSYP66-12	7.17	3.66	2.48	1.16	0.98	0.93	0.88
VVDPSYP66-14	2.81	0.98	0.70	0.53	NR	NR	NR
VVDPSYP66-16	1.52	0.60	NR	NR	NR	NR	NR

Vivid Leds provides this information as a guide only and assumes no liability for its use. Allowable pole EPA for jobsite wind conditions must be equal to or greater than fixture mount EPA. Responsibility lies with the specifier for the correct pole selection based on A.N.S.I. wind map and job location.

Anchor Base and Bolt Details



Wood Shaft Color



DB 2102
Beige Gray

DB 2105
Coastal

DB 2203
Bamboo

SW 3507
Riverwood

SW 3532
Hill Country

Note: "N" = No Stain indicates shaft shipped in pressure treated natural wood, ready for field stain or paint finish by others. Any current Sherwin Williams SuperDeck Oil-Based Semi-Transparent Wood Stain color can be specified. Please consult factory with selection for price and lead time.