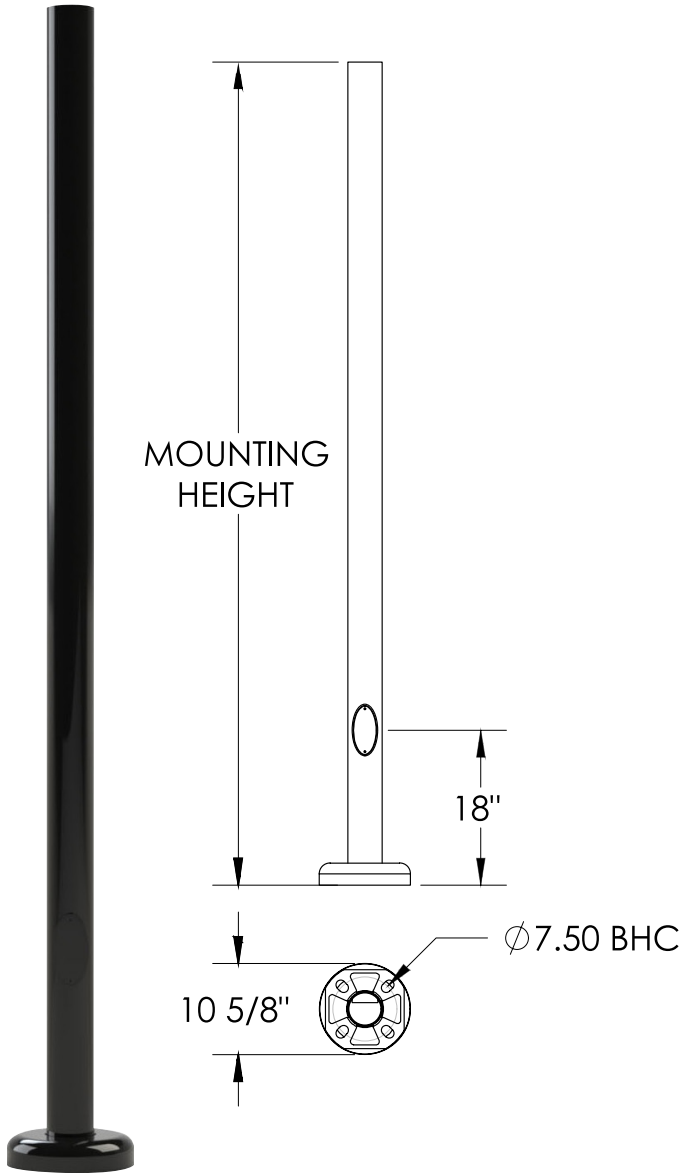




## Round Straight Smooth Anchor Base



### Specifications and Features:

- 8' to 20' standard mounting heights
- For single or multiple luminaire mounting
- Luminaires may be mounted on tenons, brackets or shaft may be drilled to manufacturer's mounting specifications

### Structural Base

A356 alloy sand cast aluminum, four bolt base. A large access base cover is also available as an option. A grounding lug is also provided.

### Handholes

All standards in this model range include a peripherally reinforced handhole centered 18" above the bottom of the standard. The opening in the 4" and 5", diameter standard measures 2 $\frac{3}{8}$ " x 4 $\frac{1}{2}$ ".

### Tenons

**T300**=Standard for post top (2 $\frac{7}{8}$ " OD x 3" tall)

**T355**=Standard for shepherd's crook arms (2 $\frac{1}{4}$ " OD x 5.5" tall)

**CAP**=Removable cap, no tenon

### Anchor Bolts

Standard with each pole: includes four  $\frac{3}{4}$ "-10x25" steel hot dip galvanized anchor bolts; each with two nuts, two flat washers and one lock washer.

### Base Cover

Poles are provided with a Two-Piece Cast Aluminum Base Cover.

### Accessories

**GFIC**=Weatherproof GFI in-use cover, cast aluminum\*

**GFIP**=Weatherproof GFI in-use cover, plastic\*

**USB**=Dual USB Port\*

\*Must indicate location (See Orientation Guide on last page)

### Finish

- Standard finishes: high gloss black, textured black, high gloss white, medium bronze, dark bronze, green, gray, silver metallic
- Premium finishes (adder): verde patina, pewter patina, silver sparkle, semi gloss or matte black
- Custom and Marine-grade finishes are available. All RAL colors are available to match (adder).

### Warranty

5 year limited warranty

#### Project Information:

Project Name:	Fixture Type:
Complete Catalog #:	Date:
Comments:	

#### Notes:

## Ordering Guide:

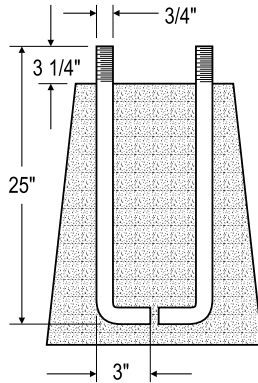
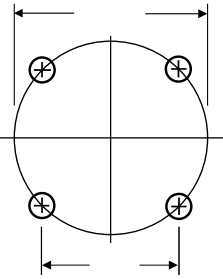
USA Express Options in Red.

Order Information Example: **VVD412AS125T300NBK**

Diameter	Height	A	S	Wall Size	Tenon	Accessories (Adder)	Finish	Anchor Bolts
<b>VVD4</b> =4" Straight <b>VVD5</b> =5" Straight	8=8' 10=10' 12=12' 14=14' 16=16' 18=18' 20=20'	<b>A</b> =Anchor Base	<b>S</b> =Smooth <b>F</b> =Fluted	Refer Chart on Page 3	<b>N</b> =None <b>T300</b> =2 1/4" OD x 3" tall <b>T355</b> =2 1/4" OD x 5.5" tall <b>CAP</b> =Removable Cap, No Tenon	<b>N</b> =None <b>GFIC</b> =GFI In-Use Cover, Cast Aluminum* <b>GFIP</b> =GFI In-Use Cover, Plastic* <b>USB</b> =Dual USB Port*  *Indicate Location	<b>STANDARD FINISHES</b> <b>BK</b> =Black <b>BZ</b> =Bronze <b>DBZ</b> =Dark Bronze <b>WH</b> =White <b>GR</b> =Green <b>SM</b> =Silver Metallic <b>GY</b> =Light Gray <b>TBK</b> =Textured Black*  <b>Premium Colors (adder)</b> <b>SB</b> =Satin Brushed <b>VP</b> =Verde Patina <b>SS</b> =Silver Sparkle <b>PP</b> =Pewter Patina  <b>CC</b> =Custom Color (Consult Factory)*-Matches Black Finish	<b>Leave blank if you need anchor bolts</b>  <b>LBC</b> =Less Base Cover <b>LAB</b> =Less Anchor Bolts - Customer supplies own anchor bolts*  *Customer is responsible for specifications of their own anchor bolts. Vivid Leds does not assume any product warranty liability.

## Anchor Base and Bolt Details

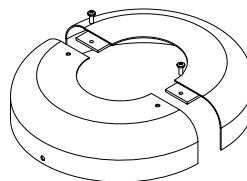
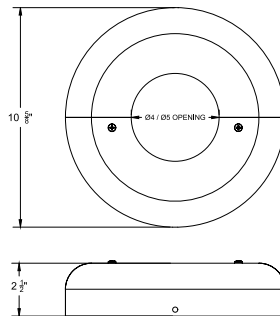
See chart for sizes



Pole Diameter	Bolt Circle	Bolt Projection	Bolt Size	Conduit Opening	Base Size
4"	7 1/2"	3/4"	3/4" x 25"	3/4"	8 3/4"
5"	7 1/2"	3/4"	3/4" x 25"	4 1/2"	9 1/4"

Actual anchor bolt size may differ slightly

## Split Spun Base Cover (SBC2)



**Wind Loading and Dimensional Data:**

USA Express Options in Red.

POLES		TYPICAL WEIGHT AND ALLOWABLE SIZE OF LUMINAIRES						DIMENSIONS OF STANDARDS		
MODEL NUMBER	MOUNT HEIGHT	LUMINAIRES WEIGHT-LBS	EFFECTIVE PROJECTED AREA-SQ FT-AT:					STANDARD HEIGHT	OUTSIDE DIAMETER	WALL
			70 MPH	80 MPH	90 MPH	100 MPH	110 MPH			
48-A/125	8'	75	15.1	11.2	8.6	6.8	5.5	8'	4"	.125
48-A/188	8'	75	28.9	21.8	17.0	13.7	11.3	8'	4"	.188
410-A/125	10'	75	11.2	8.2	6.1	4.7	3.8	10'	4"	.125
410-A/188	10'	150	21.8	16.3	12.6	10.1	8.2	10'	4"	.188
510-A/125	10'	150	18.3	13.6	10.6	8.5	6.9	10'	5"	.125
412-A/125	12'	75	8.4	6.0	4.3	3.2	2.6	12'	4"	.125
412-A/188	12'	75	17.2	12.7	9.7	7.7	6.3	12'	4"	.188
512-A/125	12'	150	14.1	10.3	8.0	6.3	5.1	12'	5"	.125
512-A/188	12'	150	21.7	16.2	12.6	10.1	8.2	12'	5"	.188
414-A/125	14'	150	6.1	4.1	2.8	1.9	1.5	14'	4"	.125
414-A/188	14'	150	13.4	9.7	7.3	5.8	4.6	14'	4"	.188
514-A/125	14'	150	10.9	7.8	6.0	4.7	3.8	14'	5"	.125
514-A/188	14'	150	17.4	12.8	9.9	7.9	6.4	14'	5"	.188
416-A/125	16'	150	4.4	2.8	1.6	1.0	0.7	16'	4"	.125
416-A/188	16'	150	10.7	7.5	5.5	4.3	3.4	16'	4"	.188
516-A/125	16'	150	8.5	5.9	4.4	3.4	2.7	16'	5"	.125
516-A/188	16'	150	14.0	10.1	7.8	6.1	4.9	16'	5"	.188
418-A/188	18'	150	8.5	5.7	4.0	3.1	2.4	18'	4"	.188
518-A/125	18'	150	3.5	4.3	3.1	2.4	1.8	18'	5"	.125
518-A/188	18'	150	11.3	8.0	6.8	4.7	3.8	18'	5"	.188
520-A/125	20'	150	4.9	3.0	2.1	1.5	1.1	20'	5"	.125
520-A/188	20'	150	9.4	6.4	4.8	3.6	2.8	20'	5"	.188

\*EPA calculations allow for 1.3 Gust Factor. \*\*Standard includes factory installed vibration dampener.

Variations from standard sizes listed above, available upon inquiry at the factory.

Satisfactory performance of lighting standards is dependent upon the standard being properly attached to a supporting foundation of adequate design. Vivid Leds does not design or offer recommendations for foundations.