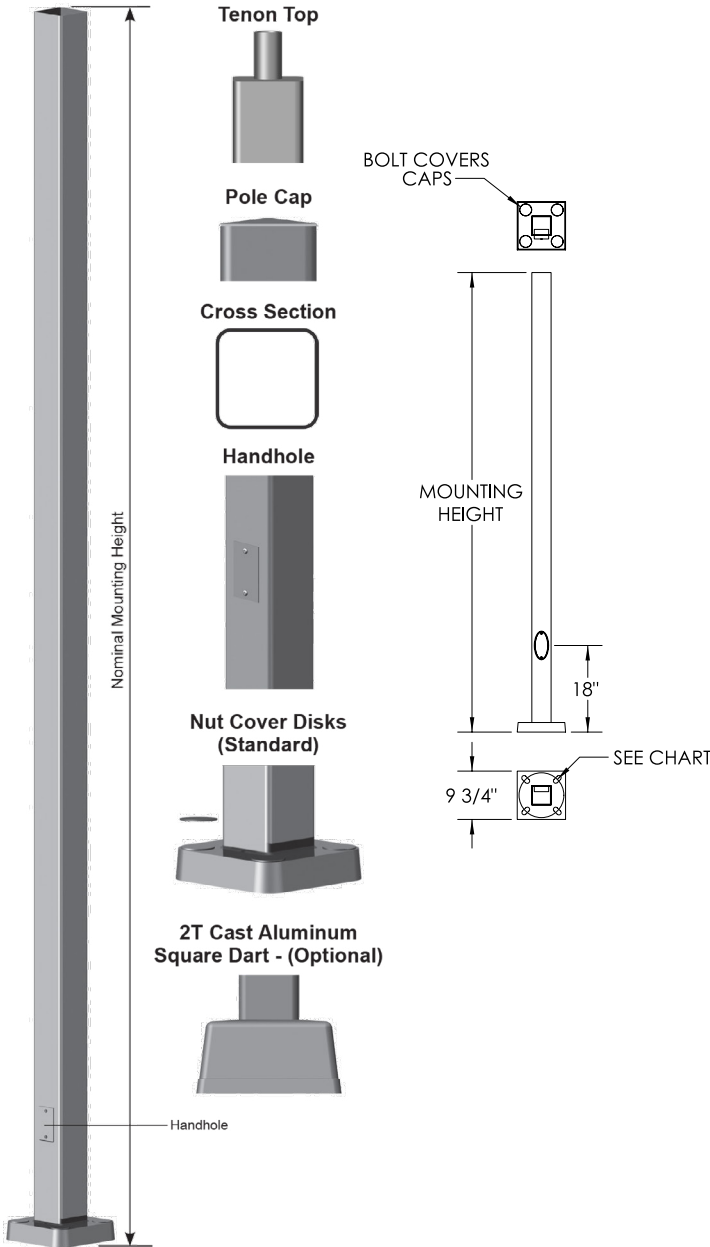




Square Straight Smooth Anchor Base



Specifications and Features:

- 8' to 35' standard mounting heights
- For single or multiple luminaire mounting
- Luminaires may be mounted on tenons, brackets or shaft may be drilled to manufacturer's mounting specifications

Structural Base

A356 alloy sand cast aluminum, four bolt base. Nut covers are standard. A grounding lug is also provided.

Pole:

The pole shaft is extruded from 6000 series alloy aluminum.

Pole Top:

A pole top tenon is provided for top mount luminaire and/or bracket. A removable pole cap is available for poles receiving drilling patterns for side-mount luminaire arm assemblies

Handholes

All standards in this model range include a peripherally reinforced handhole centered 18" above the bottom of the standard. The opening in the 4" and 5", diameter standard measures 2 $\frac{5}{8}$ " x 4 $\frac{1}{2}$ ".

Tenons

T300=Standard for post top (2 $\frac{1}{4}$ " OD x 3" tall)

T355=Standard for shepherd's crook arms (2 $\frac{5}{8}$ " OD x 5.5" tall)

CAP=Removable cap, no tenon

Anchor Bolts

Standard with each pole: includes four steel hot dip galvanized anchor bolts; each with two nuts, two flat washers and one lock washer.

Accessories

GFIC=Weatherproof GFI in-use cover, cast aluminum*

GFIP=Weatherproof GFI in-use cover, plastic*

USB=Dual USB Port*

*Must indicate location (See Orientation Guide on last page)

Finish

- Standard finishes: high gloss black, textured black, high gloss white, medium bronze, dark bronze, green, gray, silver metallic
- Custom and Marine-grade finishes are available. All RAL colors are available to match (adder).

Warranty

5 year limited warranty

Project Information:

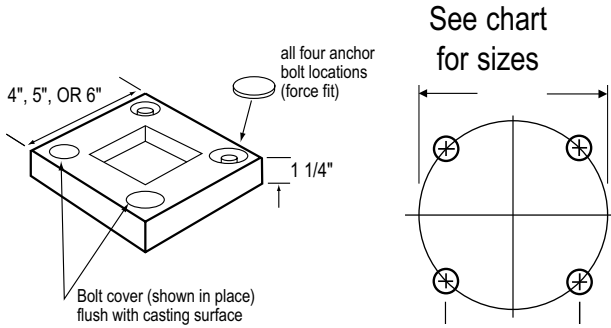
Project Name:	Fixture Type:
Complete Catalog #:	Date:
Comments:	

Certification & Listings:

Order Information Example: VVDS48A125T300NSB

WVDS	Diameter	Height	A	Wall Size	Tenon	Accessories	Finish	Anchor Bolts
VVDS=Square	4=4" Straight 5=5" Straight 6=6" Straight	8=8' 10=10' 12=12' 14=14' 15=15' 16=16' 18=18' 20=20' 25=25' 30=30' 32=32' 35=35'	A=Anchor Base	Refer to chart	N=None T300=27/8"ODx3" tall T355= 21/4"ODx5.5" tall CAP=Removable Cap, No Tenon	N=None GFIC=GFI In-Use cover, Cast Aluminum* GFIP=GFI In-Use Cover, Plastic* USB=Dual USB Port* *Adder; Please Indicate Location	STANDARD FINISHES BK=Black BZ=Bronze DBZ=Dark Bronze WH=White GR=Green SM=Silver Metallic GY=Light Gray TBK=Textured Black* CC=Custom Color (Consult Factory) Premium Colors (add) SB=Satin Brushed VP=Verde Patina SS=Silver Sparkle PP=Pewter Patina CC=Custom Color (Consult Factory) *Matches Black Finish	Leave blank if you need anchor bolts LBC=Less Base Cover LAB=Less Anchor Bolts - Customer supplies own Anchor Bolts* *Customer is responsible for specifications of their own anchor bolts. Vivid Leds does not assume any product warranty liability.

Anchor Base and Bolt Details



Pole Diameter	Bolt Circle	Bolt Projection	Bolt Size	Conduit Opening	Base Height	Base Size
4"	8 1/2"-9"	3/8"	3/4" x 17"	3 1/2"	2"	9 15/16"
5"	10 1/2" x 11"	3/4"	1/2" x 17"	4 1/2"	2 1/2"	11 9/16"
6"	12" x 12 1/2"	4"	1" x 36"	5 1/2"	2 1/2"	12 1/4"

Actual anchor bolt size may differ slightly

Wind Loading and Dimensional Data:

POLES		TYPICAL WEIGHT AND ALLOWABLE SIZE OF LUMINAIRES						DIMENSIONS OF STANDARDS		
MODEL NUMBER	MOUNT HEIGHT	LUMINAIRES WEIGHT-LBS	EFFECTIVE PROJECTED AREA-SQ FT-AT:					STANDARD HEIGHT	OUTSIDE DIAMETER	WALL
			70 MPH	80 MPH	90 MPH	100 MPH	110 MPH			
S48-A/125	8'	350	24.3	18.2	14.0	10.9	8.7	8'	4"	.125
S410-A/125	10'	260	18.9	13.9	10.5	8.0	6.2	10'	4"	.125
S412-A/125	12'	260	14.7	10.6	7.7	5.7	4.2	12'	4"	.125
S414-A/125	14'	200	11.9	8.3	5.8	4.1	2.8	14'	4"	.125
S415-A/125	15'	200	8.3	5.7	3.8	2.6	1.6	15'	4"	.125
S416-A/125	16'	200	7.3	4.8	3.1	1.9	1.0	16'	4"	.125
S416-A/188	16'	200	12.3	8.6	6.1	4.3	3.0	16'	4"	.188
S418-A/125	18'	100	5.9	3.6	2.1	-	-	18'	4"	.125
S418-A/188	18'	150	10.1	6.8	4.6	3.0	1.8	18'	4"	.188
S518-A/188	18'	260	18.0	12.7	9.0	6.4	4.4	18'	5"	.188
S420-A/125	20'	150	4.1	2.1	-	-	-	20'	4"	.125
S420-A/188	20'	150	8.1	5.2	3.1	1.7	-	20'	4"	.188
S520-A/188	20'	150	15.4	10.5	7.1	4.7	2.9	20'	5"	.188
S620-A/188	20'	150	24.8	17.4	12.3	8.7	6.0	20'	6"	.188
S620-A/250	20'	260	33.8	24.3	17.8	13.2	9.7	20'	6"	.250
S525-A/188	25'	100	9.5	5.6	3.0	1.0	-	25'	5"	.188
S625-A/188	25'	260	15.8	10.1	6.1	3.3	1.3	25'	6"	.188
S625-A/250	25'	260	23.3	15.8	10.7	7.0	4.3	25'	6"	.250
S630-A/250	30'	260	14.2	8.6	4.8	2.0	-	30'	6"	.250
S632-A/250**	32'	150	12.2	6.9	3.2	-	-	32'	6"	.250
S635-A/250**	35'	100	9.1	4.2	-	-	-	35'	6"	.250

*EPA calculations allow for 1.3 Gust Factor. **Standard includes factory installed vibration dampener.

Variations from standard sizes listed above, available upon inquiry at the factory.

Satisfactory performance of lighting standards is dependent upon the standard being properly attached to a supporting foundation of adequate design. Vivid Leds does not design or offer recommendations for foundations.