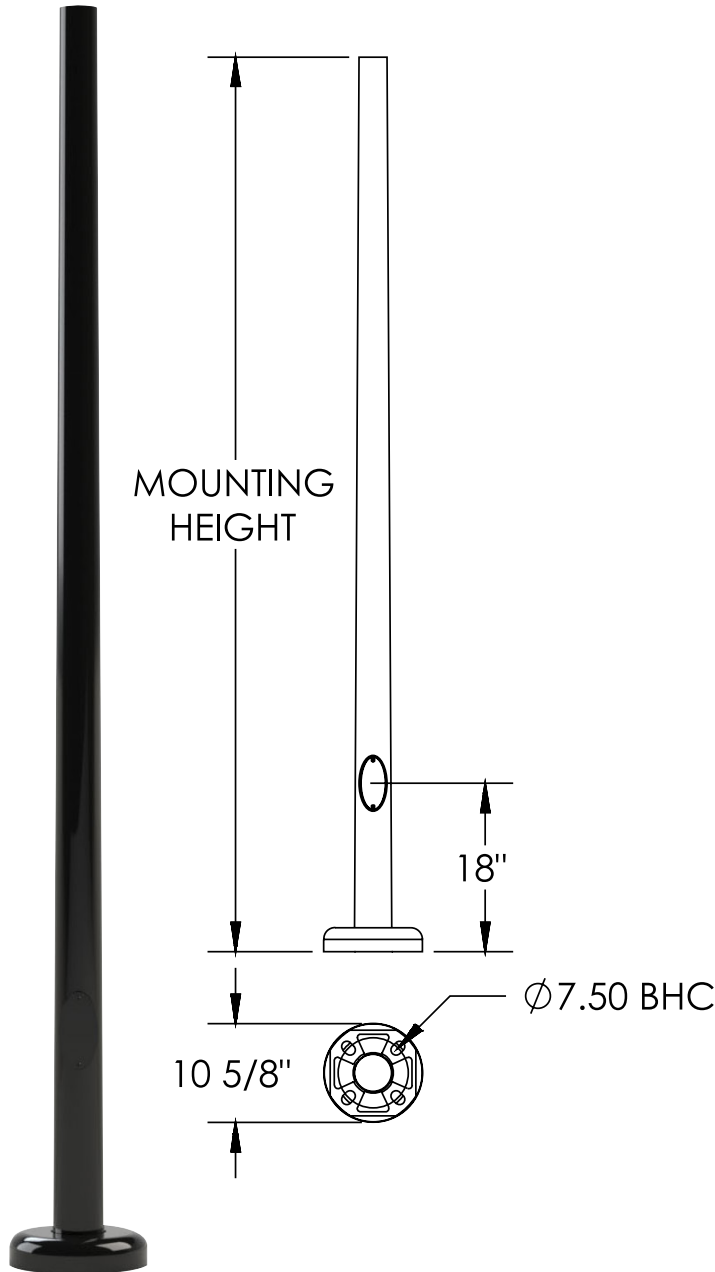




Round Tapered Smooth Anchor Base



Specifications and Features:

- 20' to 50' mounting heights
- For single or multiple luminaire mounting
- Luminaires may be mounted on tenons, brackets or shaft may be drilled to manufacturer's mounting specifications

Structural Base

A356 alloy sand cast aluminum, four bolt base. A large access base cover is also available as an option. A grounding lug is also provided. Aluminum nut covers are included with anchor bolts.

Handholes

All standards include a peripherally reinforced flush covered handhole centered 18" above the bottom of the standard. The opening in the 5" and 6" diameter standard measures 3" x 5". The opening in the 7", 8" and 10" diameter standard measures 4" x 6". An optional 4" x 8" opening is available for 8" and 10" diameter standards.

Tenons

T300=Standard for post top (2⁷/₈" OD x 3" tall)
T355=Standard for shepherd's crook arms (2⁷/₈" OD x 5.5" tall)
CAP=Removable cap, no tenon

Anchor Bolts

Standard with each pole: includes four 3/4"-10x25" steel hot dip galvanized anchor bolts; each with two nuts, two flat washers and one lock washer.

Accessories

GFIC=Weatherproof GFI in-use cover, cast aluminum*
GFIP=Weatherproof GFI in-use cover, plastic*
USB=Dual USB Port*

***Must indicate location (See Orientation Guide on last page)**

Finish

- Standard finishes: high gloss black, textured black, high gloss white, medium bronze, dark bronze, green, gray, silver metallic
- Premium finishes (adder): verde patina, pewter patina, silver sparkle, semi gloss or matte black
- Custom and Marine-grade finishes are available. All RAL colors are available to match (adder).

Project Information:

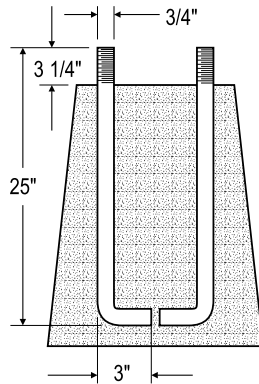
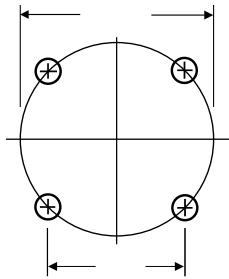
Project Name:	Fixture Type:
Complete Catalog #:	Date:
Comments:	

Certification & Listings:

Order Information Example:		VVD5320AS125T300NSB						
Diameter	Height	A	S	Wall Size	Tenon	Accessories	Finish	Anchor Bolts
VVD53=5"-3" VVD64=6"-4" VVD74=7"-4" VVD84=8"-4" VVD106=10"-6"	20=20' 23=23' 25=25' 28=28' 30=30' 33=33' 35=35' 37=37' 39=39' 48=48' 50=50'	A=Anchor Base	S=Smooth	Refer Chart on Page 3	N=None T300=2 1/4"ODx3" tall T355=2 1/4"ODx5.5" tall CAP=Removable Cap, No Tenon	N=None GFIC=GFI In-Use Cover, Cast Aluminum* GFIP=GFI In-Use Cover, Plastic* USB=Dual USB Port* *Indicate location **Must use this option with GFI	STANDARD FINISHES BK=Black BZ=Bronze DBZ=Dark Bronze WH=White GR=Green SM=Silver Metallic GY=Light Gray TBK=Textured Black* CC=Custom Color (Consult Factory) Premium Colors (add) SB=Satin Brushed VP=Verde Patina SS=Silver Sparkle PP=Pewter Patina CC=Custom Color (Consult Factory) *Matches Black Finish	Leave blank if you need anchor bolts LBC=Less Base Cover LAB=Less Anchor Bolts - Customer supplies own anchor bolts* *Customer is responsible for specifications of their own anchor bolts. Vivid Leds does not assume any product warranty liability.

Anchor Base and Bolt Details

See chart for sizes



Pole Diameter	Bolt Circle	Bolt Projection	Bolt Size	Conduit Opening	Base Size
4"	7 1/2"	3 1/4"	3/4" x 25"	3 3/4"	8 3/4"
5"	7 1/2"	3 1/4"	3/4" x 25"	4 1/2"	9 1/4"
6"	8 3/4" - 10 3/4"	3 1/2"	3/4" x 25"	5 1/2"	10 1/4"
7"	9 7/8" - 11 1/4"	4 1/8"	1" x 36"	6 1/2"	10 5/8"
8"	11" - 12 1/8"	4 1/4"	1" x 36"	7 1/2"	11 1/8"
10"	14 1/4" - 16 1/4"	4 1/2"	1" x 36"	9 1/2"	14 1/2"
*10"	14 1/2" - 16"	5"	1 1/4" x 42"	9 1/2"	14 1/2"

Actual anchor bolt size may differ slightly
*.250 wall or larger

Wind Loading and Dimensional Data:

MODEL NUMBER	MOUNT HEIGHT	LUMINAIRES WEIGHT-LBS	EFFECTIVE PROJECTED AREA-SQ FT-AT:					TOP	BUTT	WALL
			70 MPH	80 MPH	90 MPH	100 MPH	110 MPH			
5320-A/125	20'	150	6.0	3.9	2.5	1.6	1.0	3"	5"	.125
5320-A/156	20'	150	8.3	5.6	3.9	2.7	1.9	3"	5"	.156
5320-A/188	20'	150	10.6	7.4	5.2	3.8	2.8	3"	5"	.188
6420-A/156	20'	150	13.5	9.6	.1	5.6	4.4	4"	6"	.156
6420-A/188	20'	150	16.9	12.2	9.2	7.2	5.8	4"	6"	.188
7420-A/156	20'	150	20.3	15.0	11.4	9.0	7.3	4"	7"	.156
6423-A/156	23'	150	10.0	6.8	4.8	3.7	2.8	4"	6"	.156
6423-A/188	23'	150	12.9	9.0	6.6	5.1	4.0	4"	6"	.188
7423-A/156	23'	150	15.8	11.4	8.5	6.6	5.3	4"	7"	.156
8423-A/156	23'	150	22.5	16.6	12.8	10.1	8.1	4½"	8"	.156
8423-A/188	23'	150	27.9	20.7	16.0	12.8	10.3	4½"	8"	.188
6425-A/156**	25'	150	8.1	5.3	3.6	2.6	2.0	4"	6"	.156
6425-A/188	25'	150	10.8	7.3	5.2	3.9	3.0	4"	6"	.188
7425-A/156	25'	150	13.4	9.5	7.0	5.4	4.2	4"	7"	.156
8425-A/156	25'	150	19.4	14.2	10.9	8.5	6.8	4½"	8"	.156
8425-A/188	25'	150	24.2	18.0	13.8	10.9	8.8	4½"	8"	.188
7428-A/156**	28'	150	10.2	6.9	4.9	3.6	2.8	4"	7"	.156
8428-A/156	28'	150	15.5	11.1	8.4	6.5	5.1	4½"	8"	.156
8428-A/188	28'	150	19.7	14.4	11.0	8.6	6.8	4½"	8"	.188
8428-A/250	28'	150	27.7	20.5	15.8	12.56	10.0	4½"	8"	.250
9428-A/188	28'	150	26.8	19.8	15.5	12	9.7	4½"	9"	0.188
10628-A/188	28'	200	35.4	26.6	20.6	12.3	13.0	6"	10"	.188
10628-A/250	28'	300	47.8	36.2	28.2	22.4	18.0	6"	10"	.250
7430-A/156**	30'	150	8.5	5.5	3.8	2.7	2.0	4"	7"	.156
8430-A/156**	30'	150	13.2	9.4	7.0	5.3	4.1	4½"	8"	.156
8430-A/188	30'	150	17.2	12.4	9.4	7.3	5.7	4½"	8"	.188
8430-A/250	30'	150	24.5	18.0	13.8	10.9	8.7	4½"	8"	.250
9430-A/188	30'	150	23.7	17.4	13.3	10.4	8.3	4½"	9"	0.188
10630-A/188	30'	200	31.7	23.8	18.3	14.3	11.3	6"	10"	.188
10630-A/250	30'	300	43.1	32.5	25.2	20.0	16.0	6"	10"	.250
8433-A/156**	33'	150	10.3	7.1	5.1	3.8	2.8	4½"	8"	.156
8433-A/188	33'	150	13.9	9.8	7.2	5.5	4.2	4½"	8"	.188
8433-A/250	33'	150	20.4	14.8	11.2	8.7	6.9	4½"	8"	.250
9433-A/188	33'	150	19.7	14.2	10.7	8.4	6.6	4½"	9"	0.188
10633-A/188	33'	200	26.8	20.0	15.3	11.9	9.2	6"	10"	.188
10635-A/250	33'	300	37.0	27.8	21.4	16.9	13.4	6"	10"	.250
8435-A/156**	35'	150	8.7	5.8	4.1	2.9	2.1	4½"	8"	.156
8435-A/188	35'	150	11.9	8.3	6.0	4.5	3.4	4½"	8"	.188
8435-A/250	35'	150	18.1	12.9	9.7	7.5	5.9	4½"	8"	.250
9435-A/188	35'	150	17.4	12.5	9.3	7.2	5.6	4½"	9"	0.188
10635-A/188	35'	200	24.1	17.9	13.6	10.4	8.0	6"	10"	.188
10635-A/250	35'	300	33.5	25.1	19.3	15.0	11.8	6"	10"	.250
8437-A/188	37'	150	10.2	6.9	4.9	3.6	2.6	4½"	8"	.188
8437-A/250	37'	150	15.9	11.3	8.4	6.4	4.9	4½"	8"	.250
9437-A/188	37'	150	15.3	10.8	8	6.1	4.6	4½"	9"	0.188
10637-A/188	37'	200	21.6	15.9	12.0	9.1	6.8	6"	10"	.188
10637-A/250	37'	300	30.4	22.7	17.3	13.4	10.4	6"	10"	.250
8439-A/188**	39'	150	8.6	5.6	3.9	2.7	1.8	4½"	8"	.188
8439-A/250	39'	150	14.0	9.7	7.1	5.4	4.0	4½"	8"	.250
9439-A/188	39'	150	13.5	9.4	6.8	5.1	3.8	4½"	9"	0.188
10639-A/188	39'	200	19.4	14.2	10.5	7.8	5.8	6"	10"	.188
10639-A/250	39'	300	27.5	20.4	15.5	11.9	9.1	6"	10"	.250
10648-A/250	48'	300	16.7	12.0	8.8	6.5	4.6	6"	10"	.250
10650-A/250	50'	300	14.9	10.6	7.7	5.5	3.8	6"	10"	.250

*EPA calculations allow for 1.3 Gust Factor. **Standard includes factory installed vibration dampener.
 Variations from standard sizes listed above, available upon inquiry at the factory.
 Satisfactory performance of lighting standards is dependent upon the standard being properly attached to a supporting foundation of adequate design. Vivid Leds does not design or offer recommendations for foundations.