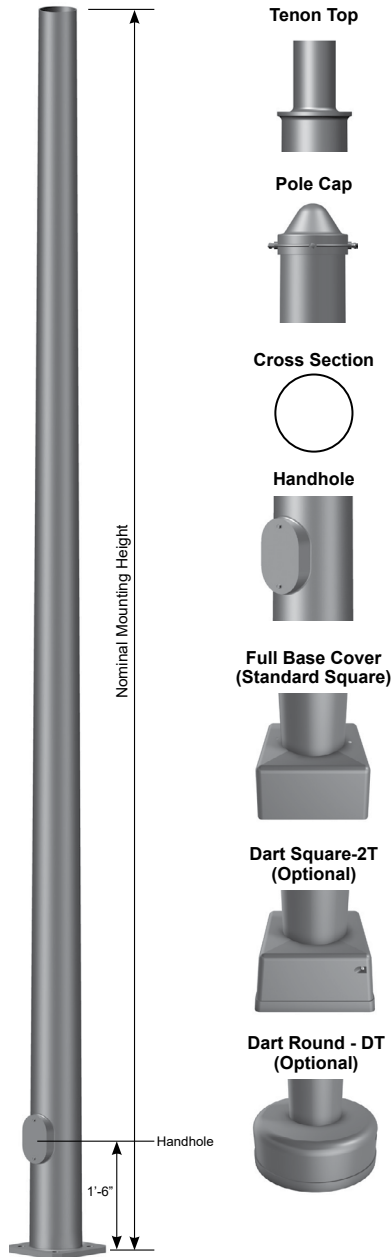




Round Tapered Smooth Steel Pole



Specifications and Features:

Shaft

The pole shaft is a one-piece assembly conforming to ASTM A595 Grade A or A572 Grade 55 with a constant linear taper of 0.14 in/ft.

Pole Top

Pole is provided with either a tenon top or drilled for fixture mounting. A removable pole cap is provided for poles receiving drilling patterns for side-mount luminaire arm assemblies. Other pole top options include pole cap only (PC) or plain top (PL) which is typical when the pole top diameter matches the necessary slip fit dimensions.

Handhole

A reinforced handhole with grounding provision is provided at 1'-6" from the base end of the pole assembly. Each handhole includes an easy to install, self-contained Swing Latch handhole cover assembly. U.S. Patent Swing Latch cover is fabricated from durable polycarbonate/ABS blend plastic. All pole assemblies are provided with a 2.50" x 5.00" rectangular handhole. Handhole dimensions are nominal.

Base Cover

A two-piece full base cover fabricated from ABS plastic is provided with each pole assembly. Vivid Leds reserves the right to provide a two-piece steel full base cover on some applications depending upon the finish requirement and/or pole base diameter. Nut covers can be substituted on most models. Additional base cover options, including the dart round (DT) cast aluminum cover, are available (adder).

Anchor Bolts

Anchor bolts conform to ASTM F1554 Grade 55 and are provided with two hex nuts and two flat washers. Bolts have an "L" bend on one end and are galvanized a minimum of 12" on the threaded end.

Hardware

All structural fasteners are galvanized high strength carbon steel. All non-structural fasteners are galvanized or zinc-plated carbon steel or stainless steel.

Finish - Super Durable Polyester TGIC Powder Coat

- Standard finishes: high gloss black, textured black, high gloss white, medium bronze, dark bronze, green, gray, silver metallic
- Custom and Marine-grade finishes are available. All RAL colors are available to match (adder).

Project Information:

Project Name:	Fixture Type:
Complete Catalog #:	Date:
Comments:	

Certification & Listings:

Order Information Example:				VVDRTSSD1FBCABMBK				
Diameter	Model	Type	Wall Size	Fixture Mounting	Base Cover	Anchor Bolts	Accessories	Finish
Refer to Chart Ordering Guide	VVDRTS= Tapered Steel	S=Smooth	Refer to Chart	Drill Mounting (See Orientation) D1 =(1) Drilling @ 270° D2 =(2) Drillings @ 90° & 270° D3 =(1) Drillings @ 60°, 180° & 270° D4 =(1) Drillings @ 0°, 90°, 180° & 270° D5 =(2) Drillings @ 180° & 270° D6 =(3) Drillings @ 90°, 180° & 270° Tenon Mounting P2 =2.38" OD x 4" tenon P4 =4.00" OD x 6" tenon P5 = 2.88" OD x 4" tenon P6 =2.88" OD x 5" tenon P7 =2.38" OD x 5" tenon P9 =Special Size (Specify, Adder) Other Options PC =Pole Cap PL =Plain Top (No Cap)	FBC =3" Full Base Cover NC =Nut Covers* DT =Round Dart Cover* *Optional	AB =With Anchor Bolts LAB =Less Anchor Bolts	N =None GFIC =GFI In-Use Cover, Cast Aluminum* GFIP =GFI In-Use Cover, Plastic* USB =Dual USB Port* *Adder; Please Indicate Location	STANDARD FINISHES BK =Black BZ =Bronze DBZ =Dark Bronze WH =White GR =Green SM =Silver Metallic GY =Light Gray TBK =Textured Black* CC =Custom Color (Consult Factory) Premium Colors (adder) VP =Verde Patina SS =Silver Sparkle PP =Pewter Patina CC =Custom Color (Consult Factory) *Matches Black Finish

Wind Loading and Dimensional Data:

ORDERING GUDE	MOUNT HEIGHT	EFFECTIVE PROJECTED AREA-SQ FT-AT:						Shaft			
		80 MPH		90 MPH		100 MPH		BASE O.D. (IN)	TOP O.D. (IN)	WALL THICK. (GA)	STRUCT. WEIGHT (LBS)
		MAX. EPA (FT ²)	MAX. WEIGHT (LBS)	MAX. EPA (FT ²)	MAX. WEIGHT (LBS)	MAX. EPA (FT ²)	MAX. WEIGHT (LBS)				
6320	20'	19.3	482	15.1	377	12.2	305	5.90	3.10	11	140
6420	20'	24.2	605	19.3	482	15.6	390	6.50	3.70	11	160
6325	25'	12.5	312	9.9	247	8.0	200	5.90	2.40	11	155
7425	25'	20.3	507	16.2	405	13.1	327	7.00	3.50	11	200
7425	25'	30.5	760	24.0	625	19.8	495	7.00	3.50	7	280
7330	30'	11.7	292	9.3	232	7.5	187	6.60	2.40	11	200
8430	30'	18.9	473	14.9	373	12.0	300	8.00	3.80	11	154
8430	30'	33.5	838	27.0	675	22.0	550	8.00	3.80	7	380
7235	35'	11.2	280	8.9	222	7.1	177	7.30	2.40	11	250
8335	35'	18.9	472	15.1	377	12.2	305	8.50	3.60	11	315
9435	35'	23.2	580	18.2	455	14.5	363	9.50	4.60	11	370
8239	39'	10.7	267	8.5	212	6.6	165	7.82	2.40	11	285
9339	39'	17.2	430	13.5	338	10.8	270	9.00	3.58	11	355
10445	39'	28.5	715	23.0	575	19.0	475	9.00	3.58	7	515
10445	45'	17.4	435	13.5	338	10.6	265	10.00	3.70	11	450
10445	45'	28.5	715	23.0	575	19.0	475	10.00	3.70	7	650
10350	50'	13.2	330	10.6	265	8.3	208	10.00	3.00	11	475
10350	50'	20.5	512	16.5	412	13.6	340	10.00	3.00	7	680

*EPA calculations allow for 1.3 Gust Factor. If mast or truss arms are to be installed, contact Vivid Leds for E.P.A. information and recommended shaft length. Variations from standard sizes listed above, available upon inquiry at the factory. Satisfactory performance of lighting standards is dependent upon the standard being properly attached to a supporting foundation of adequate design. Vivid Leds does not design or offer recommendations for foundations.

Please note: Vivid Leds offers the following information as a guide only and assumes no liability for its use. DO NOT USE THIS CHART AS A GUIDE FOR ANCHOR BOLT INSTALLATION; REQUEST A BASE TEMPLATE BEFORE POURING CONCRETE!

Pole Data

POLE BASE OD (IN)	WALL THK (GA)	BASE PLATE			ANCHOR BOLTS			
		BOLT CIRCLE		SQUARE (IN)	THK (IN)	DIA x LENGTH x HOOK (IN)	PROJECTION (IN)	± (IN)
5.90	11	9.00	0.50	10.00	0.875	1.00 x 36.00 x 4.00	4.13	0.25
6.50	11	9.50	0.50	10.50	0.875	1.00 x 36.00 x 4.00	4.13	0.25
6.60	11	9.50	0.50	10.50	0.875	1.00 x 36.00 x 4.00	4.13	0.25
7.00	11	10.00	0.50	10.88	0.875	1.00 x 36.00 x 4.00	4.13	0.25
7.00	7	10.00	0.50	10.88	1.000	1.00 x 36.00 x 4.00	4.25	0.25
7.30	11	10.50	0.50	11.25	0.875	1.00 x 36.00 x 4.00	4.13	0.25
7.82	11	11.00	0.50	11.50	0.875	1.00 x 36.00 x 4.00	4.13	0.25
8.00	11	11.00	0.50	11.50	0.875	1.00 x 36.00 x 4.00	4.13	0.25
8.00	7	11.00	0.50	11.50	1.250	1.25 x 42.00 x 6.00	5.00	0.25
8.50	11	11.50	0.50	12.00	1.000	1.00 x 36.00 x 4.00	4.25	0.25
9.00	11	12.50	0.50	12.38	1.000	1.00 x 36.00 x 4.00	4.25	0.25
9.00	7	12.50	0.50	12.38	1.250	1.25 x 42.00 x 6.00	5.00	0.25
9.50	11	13.00	0.50	13.00	1.000	1.00 x 36.00 x 4.00	4.25	0.25
10.00	11	13.50	0.50	14.00	1.000	1.00 x 36.00 x 4.00	4.25	0.25
10.00	7	13.50	0.50	14.00	1.250	1.25 x 42.00 x 6.00	5.00	0.25

Anchor Base Detail

