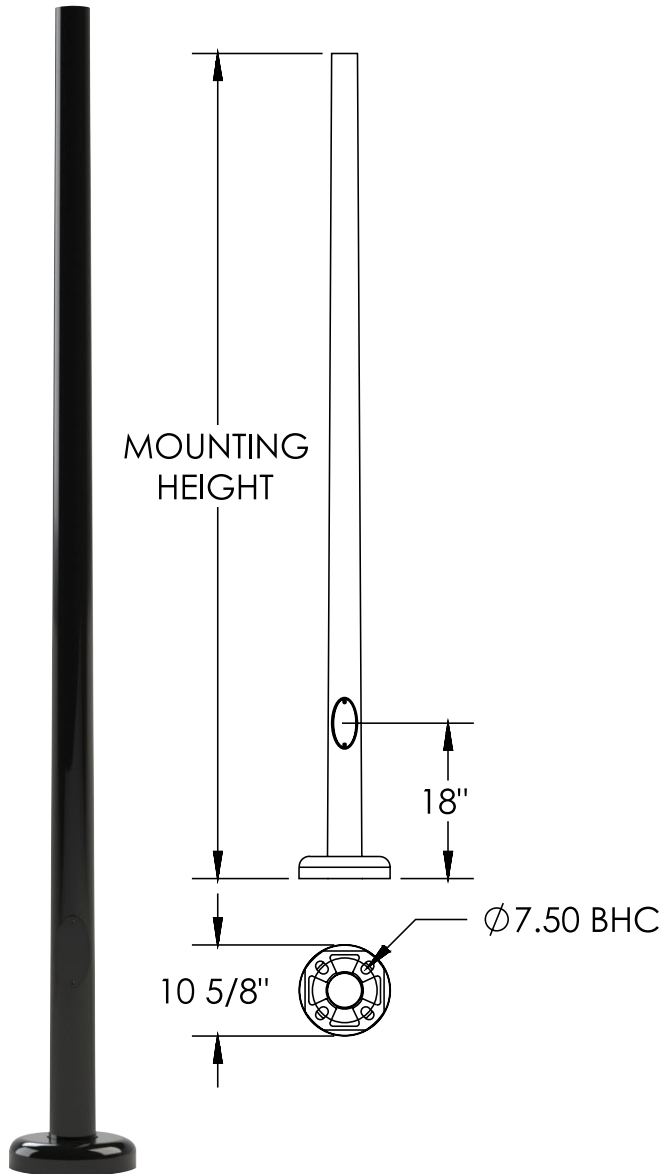




## Round Tapered Smooth Anchor Base



### Specifications and Features:

- 8' to 18' standard mounting heights
- For single or multiple luminaire mounting
- Luminaires may be mounted on tenons, brackets or shaft may be drilled to manufacturer's mounting specifications

### Structural Base

A356 alloy sand cast aluminum, four bolt base. An extra large access cover is included. A grounding lug is also provided.

### Handholes

All standards in this model range include a peripherally reinforced handhole centered 18" above the bottom of the standard. The opening in the 4" and 5", diameter standard measures 2 $\frac{3}{8}$ " x 4 $\frac{1}{2}$ ".

### Tenons

**T300**=Standard for post top (2 $\frac{7}{8}$ " OD x 3" tall)

**T355**=Standard for shepherd's crook arms (2 $\frac{7}{8}$ " OD x 5.5" tall)

**CAP**=Removable cap, no tenon

### Anchor Bolts

Standard with each pole: includes four  $\frac{3}{4}$ -10x25" steel hot dip galvanized anchor bolts; each with two nuts, two flat washers and one lock washer.

### Base Cover

Poles are provided with a Two-Piece Cast Aluminum Base Cover.

### Accessories

**GFIC**=Weatherproof GFI in-use cover, cast aluminum\*

**GFIP**=Weatherproof GFI in-use cover, plastic\*

**USB**=Dual USB Port\*

\*Must indicate location (See Orientation Guide on last page)

### Finish - Super Durable Polyester TGIC Powder Coat

- Standard finishes: high gloss black, textured black, high gloss white, medium bronze, dark bronze, green, gray, silver metallic
- Premium finishes (adder): verde patina, pewter patina, silver sparkle, semi gloss or matte black
- Custom and Marine-grade finishes are available. All RAL colors are available to match (adder).

### Warranty

5 year limited warranty

#### Project Information:

Project Name:	Fixture Type:
Complete Catalog #:	Date:
Comments:	

#### Notes:

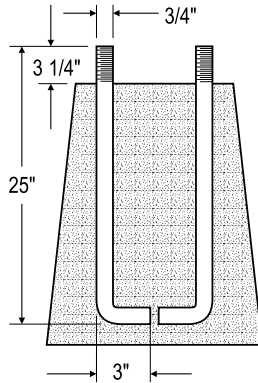
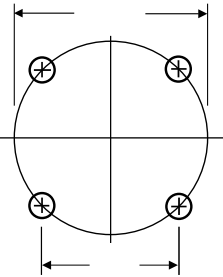
## Ordering Guide:

**Order Information Example:** VVD4310AS125T300NBK \*\*\*Adder Applies

		<b>A</b>	<b>S</b>					
Diameter	Height	Model	Pole Type	Wall Size	Tenon	Accessories (Adder)	Finish	Anchor Bolts
VVD43=4"-3" VVD53=5"-3"	8=8' 10=10' 12=12' 14=14' 16=16' 18=18'	A=Anchor Base	S=Smooth	Refer Chart on Page 3***	N=None T300=2 1/4"ODx3" tall T355= 2 1/4"ODx5.5" tall CAP=Removable Cap, No Tenon***	N=None GFIC=GFI In-Use Cover, Aluminum*** GFIP=GFI In-Use Cover, Plastic*** USB=Dual USB Port***	<b>STANDARD FINISHES</b> BK=Black BZ=Bronze DBZ=Dark Bronze WH=White GR=Green SM=Silver Metallic GY=Light Gray TBK=Textured Black* CC=Custom Color (Consult Factory)  <b>Premium Colors (adder)</b> SB=Satin Brushed VP=Verde Patina SS=Silver Sparkle PP=Pewter Patina CC=Custom Color (Consult Factory)	<b>Leave blank if you need anchor bolts</b>  LBC=Less Base Cover LAB=Less Anchor Bolts - Customer supplies own anchor bolts*  *Customer is responsible for specifications of their own anchor bolts. Vivid Leds does not assume any product warranty liability.
							*Matches Black Finish	

## Anchor Base and Bolt Details

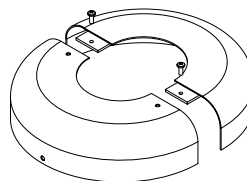
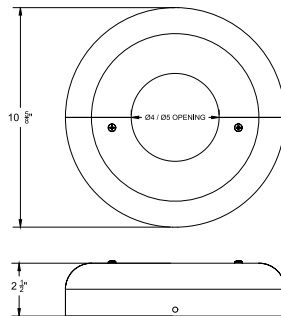
See chart for sizes



Pole Diameter	Bolt Circle	Bolt Projection	Bolt Size	Conduit Opening	Base Size
4"	7 1/2"	3/4"	3/4" x 25"	3 3/4"	8 3/4"
5"	7 1/2"	3/4"	3/4" x 25"	4 1/2"	9 1/4"

Actual anchor bolt size may differ slightly

## Split Spun Base Cover (VVDSBC2)



**Wind Loading and Dimensional Data:**

POLES		TYPICAL WEIGHT AND ALLOWABLE SIZE OF LUMINAIRES						DIMENSIONS OF STANDARDS			
MODEL NUMBER	MOUNT HEIGHT	LUMINAIRES WEIGHT-LBS	EFFECTIVE PROJECTED AREA-SQ FT-AT:					STANDARD HEIGHT	TOP	BUTT	WALL
			70 MPH	80 MPH	90 MPH	100 MPH	110 MPH				
438-A/125	8'	75	16.1	12.1	9.3	7.3	5.9	7' 8"	3"	5"	.125
4310-A/125	10'	75	11.9	8.8	6.7	5.2	4.1	9' 8"	3"	5"	.125
5310-A/125	10'	75	19.7	14.7	11.4	9.0	7.3	9' 8"	3"	5"	.188
4312-A/125	12'	75	9.1	6.6	4.8	3.6	2.8	9' 8"	3"	5"	.125
5312-A/125	12'	75	15.4	11.4	8.7	6.8	5.4	11' 8"	3"	5"	.188
5312-A/156	12'	75	19.4	14.4	11.1	8.7	7.0	11' 8"	3"	5"	.125
5312-A/188	12'	150	23.0	17.2	13.3	10.5	8.5	11' 8"	3"	5"	.156
4314-A/125	14'	75	6.9	4.9	3.4	2.4	1.8	13' 8"	3"	5"	.125
5314-A/125	14'	75	12.3	8.9	6.6	5.1	4.0	13' 8"	3"	5"	.188
5314-A/156	14'	75	15.6	11.4	8.6	6.7	5.3	13' 8"	3"	5"	.125
5314-A/188	14'	75	18.6	13.7	10.5	8.2	6.6	13' 8"	3"	5"	.156
4316-A/125	16'	75	5.3	3.5	2.3	1.5	0.9	15' 8"	3"	5"	.125
5316-A/125	16'	75	9.8	6.9	5.0	3.8	2.9	15' 8"	3"	5"	.188
5316-A/156	16'	75	12.6	9.1	6.8	5.2	4.0	15' 8"	3"	5"	.125
5316-A/188	16'	150	15.1	11.0	8.3	6.4	5.1	15' 8"	3"	5"	.156
5318-A/125	18'	150	7.4	5.5	3.5	2.5	1.8	17' 8"	3"	5"	.125
5318-A/156	18'	150	9.9	7.0	5.0	3.7	2.8	17' 8"	3"	5"	.156
5318-A/188	18'	150	12.4	8.8	6.5	4.9	3.8	17' 8"	3"	5"	.188

\*EPA calculations allow for 1.3 Gust Factor. \*\*Standard includes factory installed vibration dampener.

Variations from standard sizes listed above, available upon inquiry at the factory.

Satisfactory performance of lighting standards is dependent upon the standard being properly attached to a supporting foundation of adequate design. Vivid Leds does not design or offer recommendations for foundations.