

Product Description

A complete field-adjustable solution! The Array OS features adjustment of the light throw, CCT, and lumen output. Is there a wall pack more flexible and powerful than this? The Array OS delivers superior performance with a traditional appearance, using a high-quality borosilicate glass lens, combined with a high-efficiency light engine, to provide high-quality lighting solutions. Available in two different lumen packages, The Array OS meets the lighting needs of customers perfectly, either as a retrofit or new construction.

> Quick Ship - In Stock, Ready to Ship

Project:		Type:
Location:		
Prepared By:		Date:
Comments:		

Performance Summary

- Philips Lumileds 2835 LEDs with high efficacy >140 Lm/W
- USA assembled product with quick warranty support
- In stock and ships from several U.S. locations for quick delivery
- Low profile, 3G vibration rated compact design prescribed by ANSI C136.31
- National listing lab tested to IES standards
- High lumen maintenance exceeds DOE requirements
- Solid State with high-shock and vibration resistance
- Rugged one-piece A360 die-cast housing with integral heat sink
- Housing is completely sealed against moisture and environmental contaminants
- Architectural polyester bronze powdercoat finish
- Chromate conversion coating for long lasting appearance
- Rust resistant stainless steel hardware with durable nickel-plating
- Emergency backup driver optional with 90 minutes of power
- Optional Integrated photocell can be switched on/off on the fixture
- Aluminum LED boards with copper tracings for best thermal management
- LED array manufactured using a state-of-the-art SMT machine
- 1/9th micro color binning enables tight color control
- Hot color targeting ensures color is within ANSI bin compliance
- Light engine is color selectable from 3000K, 4000K, and 5000K configurations
- Field adjustable optic beam angle light throw from 0, 15, 30, and 45 degrees
- Scalable lumen package adjustments from 100%, 80%, 60%, and 40%
- Photometric optic built over each LED for enhanced light distribution
- Optics are precisely designed to shape the distribution, maximizing efficiency
- Polycarbonate lens provides outstanding performance and glare control
- Borosilicate glass lens optional
- High CRI - RA>80 enhances original colors
- Contains no mercury, lead, infrared or UV radiation and cool to the touch
- Operating temperature: -40 to 104 degrees F (-40 to 40 degrees C)
- 100,000 hour LED life based on LM-80 results and TM-21 calculation
- Certifications: CE, RoHS, UL, cUL, DLC - IP65 outdoor rated
- 10 year limited warranty

ARRAY OS

Wattage, CCT & Optic Selectable Wall Pack
LED Dimmable Luminaire



Shown with
Optic Selectable Dial



Shown with optional
Glass lens



Models:

- VDWDP17100: 40W/60W/80W/100W - 14,000 Lm - 9.3" (H) x 14.2" (W) x 8.1" (D) - 6 Lbs
- VDWDP17150: 60W/90W/120W/150W - 22,000 Lm - 9.8" (H) x 18" (W) x 9.3" (D) - 11 Lbs

Ordering Information:				Part Number:		
*Adder Applies				Ordering Example: VDWDP17100-CT-OS-V27-BZ-DM		
Family	CCT	Optic	Voltage	Finish	Dimming	Accessories*
VDWDP17100 VDWDP17150	CT - Color Selectable	OS - Beam Angle Selectable	V27 - 120-277V	BZ - Bronze	ND - Non-Dlm DM - 0-10V Dim	PC - Integrated Switchable Photocell MS - PIR Plug-and-Play Motion Sensor LS - Glass Lens Swap EM - Emergency Battery Backup, 90 Minutes WG - Wire Guard GS - Glare Shield



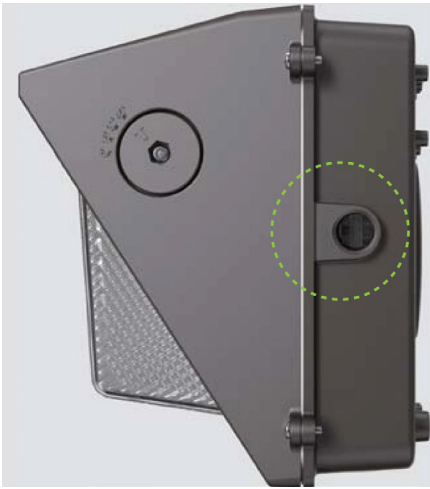
Vivid Leds, Inc.
PO BOX 9
Sellersburg, IN 47172
330-809-0431
www.vividleds.us

Dimensions, specifications, and product pictures are subject to change without notice.

The product on this page is a manufactured to order, non-stocking item. This product cannot be returned for refund or credit.

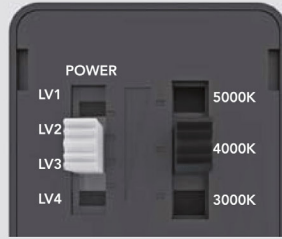
D6

Revised 1.12.25



CCT AND WATTAGE CONTROLLER

This fixture has the function of adjusting the lumens output and color temperature on-site.

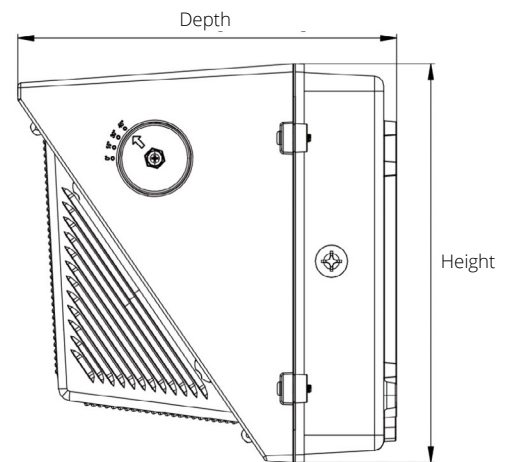
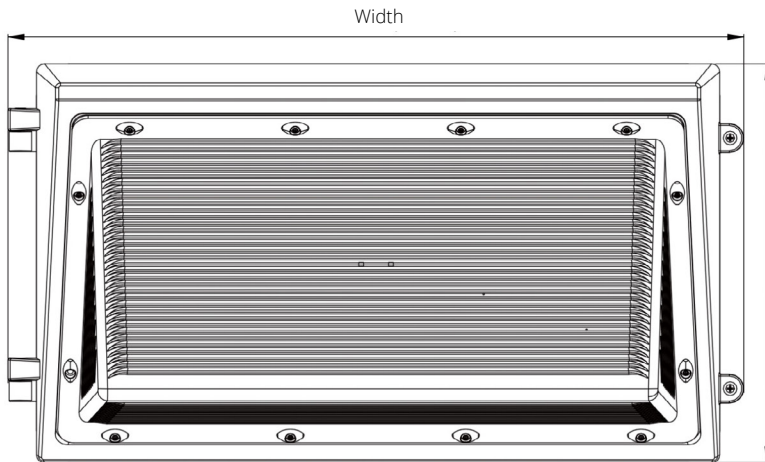
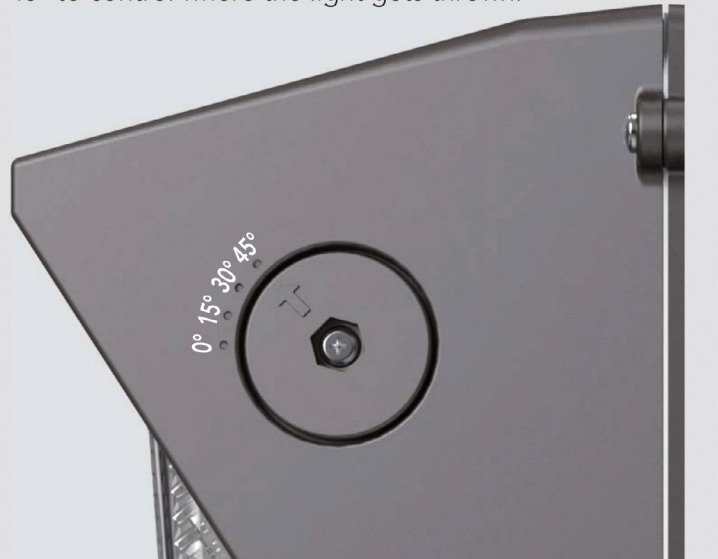
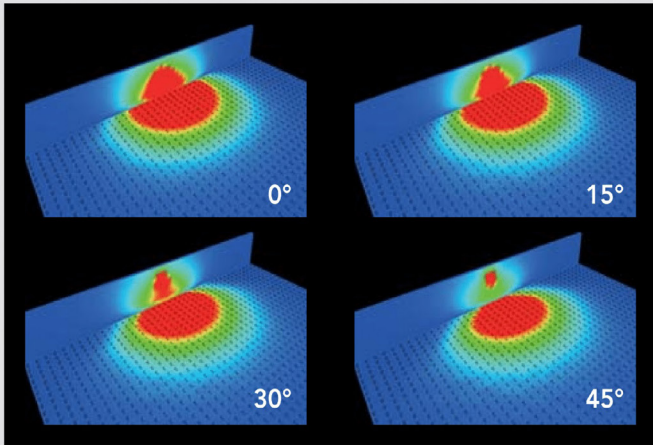


Power adjustment range: 100%-80%-60%-40%
CCT selectable: 3000K, 4000K, 5000K



Control the light throw with the spin of a dial

All MWP17 models include a powerful feature that can adjust the tilt of the light engine, enabling field adjustment of the degree of light thrown forward. Choose 0°, 15°, 30°, or 45° to control where the light gets thrown.



Vivid Leds, Inc.
PO BOX 9
Sellersburg, IN 47172
330-809-0431
www.vividleds.us

Dimensions, specifications, and product pictures are subject to change without notice.

The product on this page is a manufactured to order, non-stocking item. This product cannot be returned for refund or credit.

D6

Revised 1.9.25