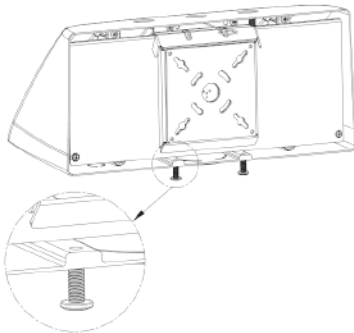


! WARNING

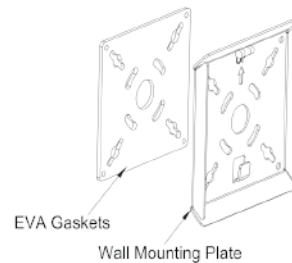
1. To avoid electric shock, disconnect power at source prior to installation.
2. The installation should be performed by qualified electricians or lighting technicians.
3. Before conducting any installation, maintenance, or removal, disable all power to the luminaries and wait until the fixture cool down.
4. Do not touch the fixture while it is in service.
5. Unless individual product specifications deem otherwise: Do not exceed fixtures maximum ambient temperature(-40°C to 40°C).
6. Keep combustible and other materials that can burn, away from lamp/lens.
7. If there is any problem with the fixture, DO turn off power and DO NOT attempt repair unless you are a qualified technician or the customer service member.
8. Make all electrical and grounded connections in accordance with the National Electrical Code (NEC) and any applicable local code requirements.
9. Wear gloves and safety glasses at all times when removing luminaire from carton, installing, servicing or performing maintenance.
10. Avoid direct eye exposure to the light source while it is on.
11. This product is not available for several special environments, such as places with corrosive gas liquids or high pressure water vapor.

Mounting Plate Installation (Default)

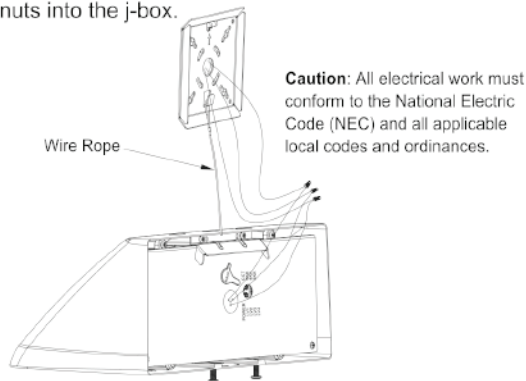
1. Loosen two M6*20-SS screws until they level with the steps and remove the wall mounting plate.



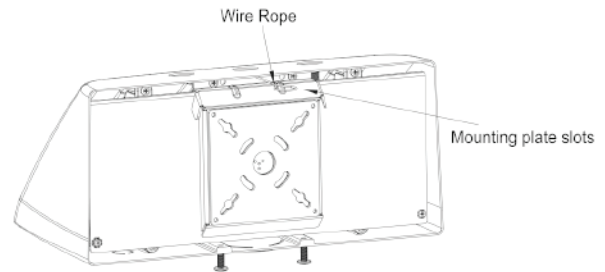
2. Stick EVA gaskets on the back of the wall mounting plate properly, which is very important for water proof. Fix the wall mounting plate on the junction box according to the arrow pointing upwards. Note that the wall mounting plate must be leveled before tightening the screws.



3. Hang the fixture on the wall mounting plate with a wire rope, and pay attention to protect the surface of the fixture during installation to prevent scratches and damage to the surface. Ensure the line voltage at the fixture is correct, make all necessary wiring connections, and push all the wires and wire nuts into the j-box.

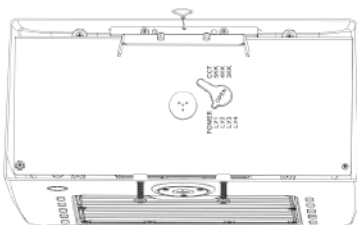


4. Lift the fixture and arrange the anti-falling wire rope to avoid being exposed to the fixture or obstructing the installation. Fasten the fixture to the wall mounting plate, make sure that the wires are not pulled or pinched. Tighten the two M6*20-SS screws in step 1

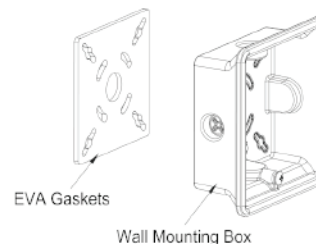


Mounting Box Installation (Option)

1. Loosen two M6*20-SS screws until they level with the steps.

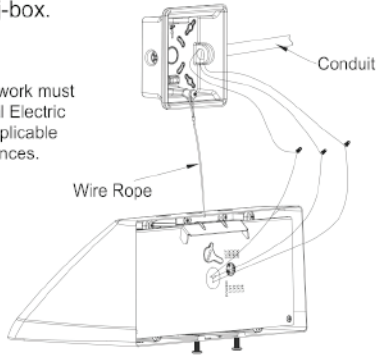


2. Knock off one of blind hole in the four sides of the mounting box to guide the wiring. Stick EVA gaskets on the back of the wall mounting box properly, which is very important for water proof. Fix the wall mounting box on the junction box according to the arrow pointing upwards.

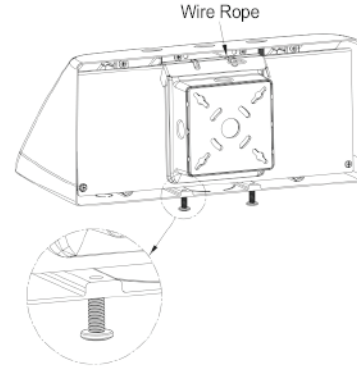


- Hang the fixture on the wall mounting box with a wire rope, and pay attention to protect the surface of the fixture during installation to prevent scratches and damage to the surface. Ensure the line voltage at the fixture is correct, make all necessary wiring connections, and push all the wires and wire nuts into the j-box.

Caution: All electrical work must conform to the National Electric Code (NEC) and all applicable local codes and ordinances.



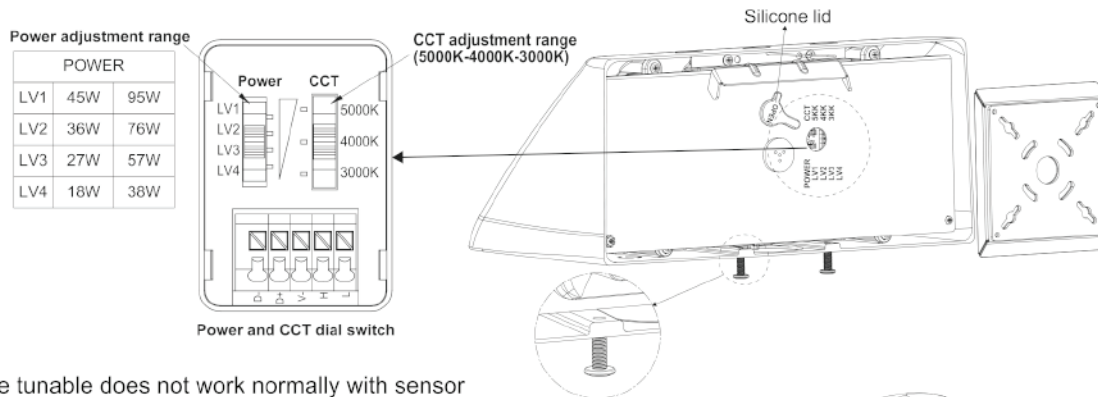
- Lift the fixture and arrange the anti-falling wire rope to avoid being exposed to the fixture or obstructing the installation. Fasten the fixture to the wall mounting box, make sure that the wires are not pulled or pinched. Tighten the two M6*20-SS screws in step 1.



Note: To ensure waterproof seal, apply weatherproof silicone sealant around out edge of fixture (For mounting box installation, apply silicone around the edge of mounting box), make sure to fill the gap between fixture and wall.

Power and CCT selectable version

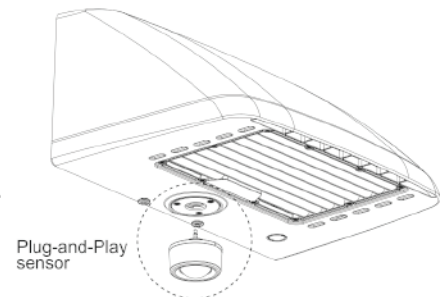
- Loosen two M6*20-SS screws until they level with the steps and remove the wall mounting plate, open the silicone lid.
- Select Power (White) and CCT (Black) by sliding the respective switch to the desired value according to the figure.



Note: The tunable does not work normally with sensor

Plug & Play Motion Sensor - Optional

To install the plug & play sensor, first remove the screw plug in the center of the fixture, then insert the sensor and tighten clockwise as shown in the figure.



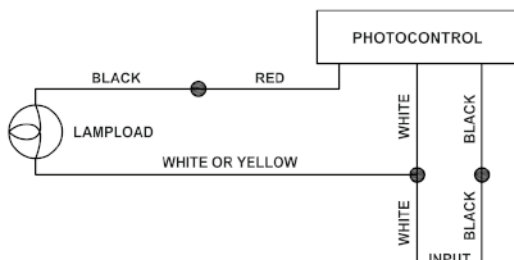
TROUBLESHOOTING

- Check that the line voltage at the fixture is correct. Refer to wiring directions.
- Is the fixture grounded properly.
- Be sure the photocell, if used, is functioning properly.

PHOTOCELL INSTALLATION

Universal voltage driver permits operation at 60 Hz except fixtures factory ordered with a 120-277VAC (P0)

- Install photocell and wire as per diagram.
- Use photocell rated for your supply voltage.



WIRING DIAGRAM

For dimming version, please check wiring diagram below. Note: Two dimming wire in the driver box

WITHOUT EMERGENCY BATTERY

LED FIXTURES	Black	Line
	White	Neutral
	Green/Yellow Green	Ground
	Purple	DIM+
	Pink	DIM-

EMERGENCY BATTERY

LED FIXTURES	Red	AC line(24/7)
	Black	AC line switch
	White	Neutral
	Green/Yellow Green	Ground
	Purple	DIM+
	Pink	DIM-