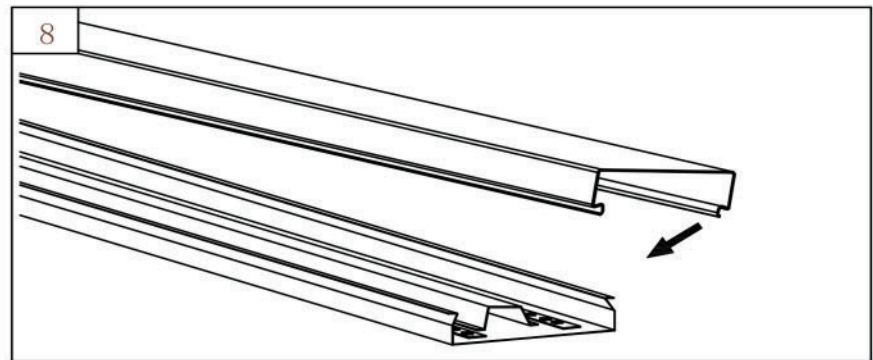
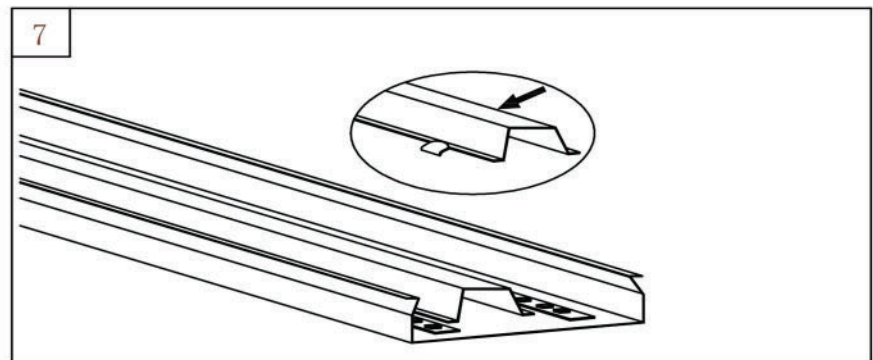
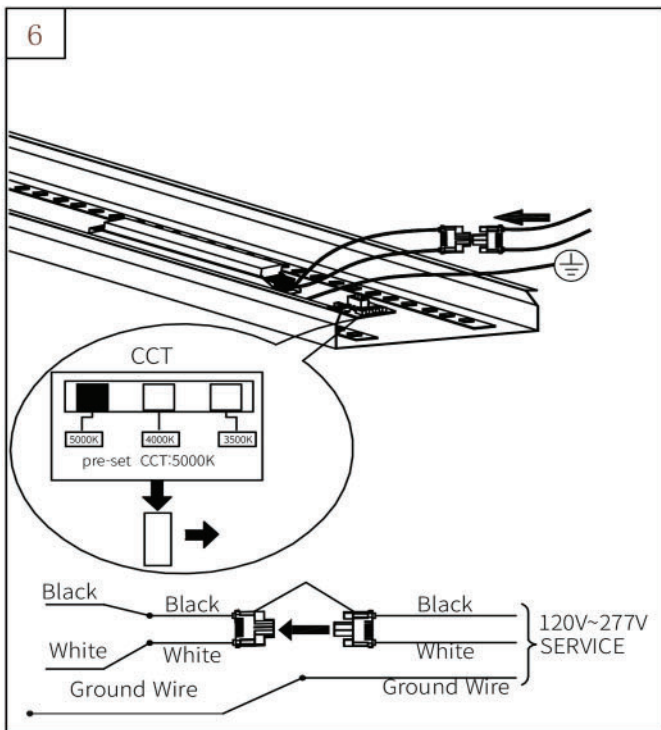
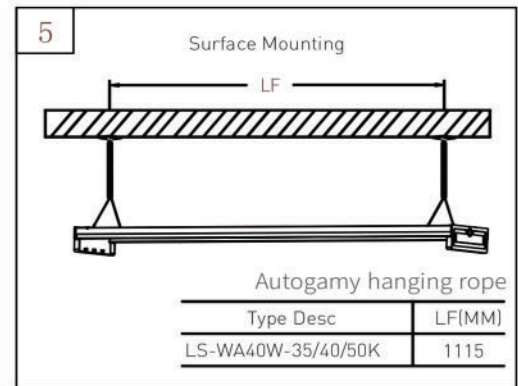
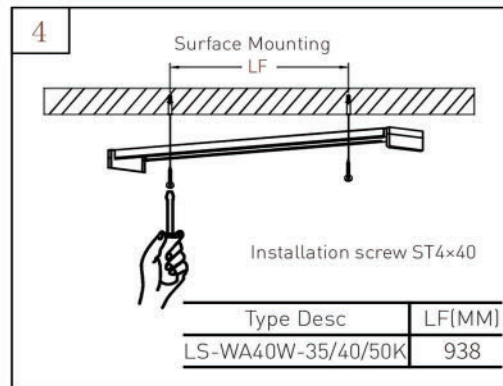
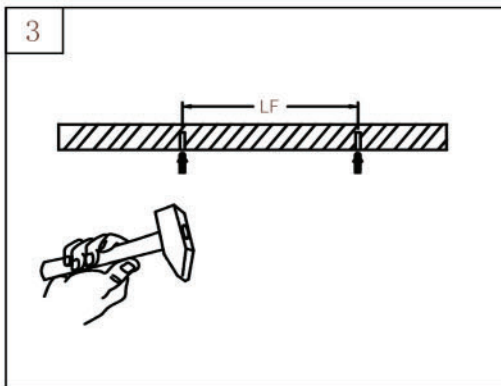
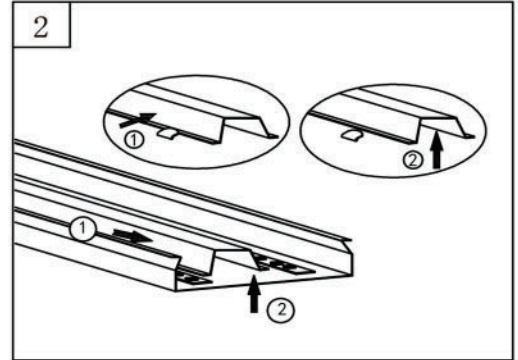
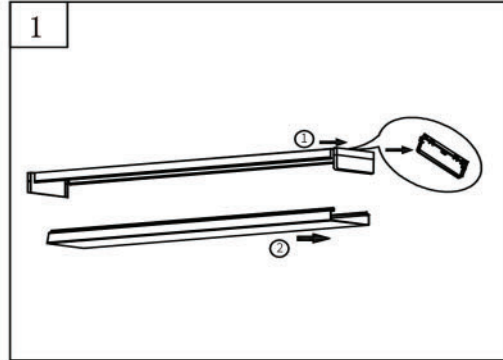
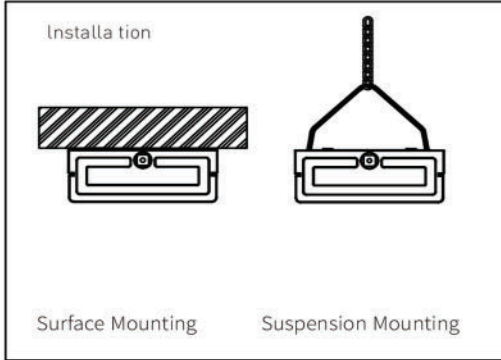


# ALUME WRAP INSTALLATION





### Sa fet y Not i ce

- 1.Please check and ensure the products have not in damage before use, if there any breakage please do not install and use.
- 2.Please keep the kids far away from the product and don't let them touch any live parts.
- 3.Please keep packing materials far away from kids when playing, to prevent kids careless putting packing material on their head or directlyinhaling, swallowing, causing suffocation.
- 4.The installation of the product must be certified by professional electrician.
- 5.Forbid covering anything on product.
- 6.To ensure that the power cord has enough length and do not be subjected to tension or tangential force,avoid too much tension and power cord ties when mounting connection of light fittings.
- 7.To protect the eyes from LED light damage please avoid long time looking straight into the LED light-emitting surface.
- 8.Please be sure power is off before clean light fitting, use dry cloth to clean.