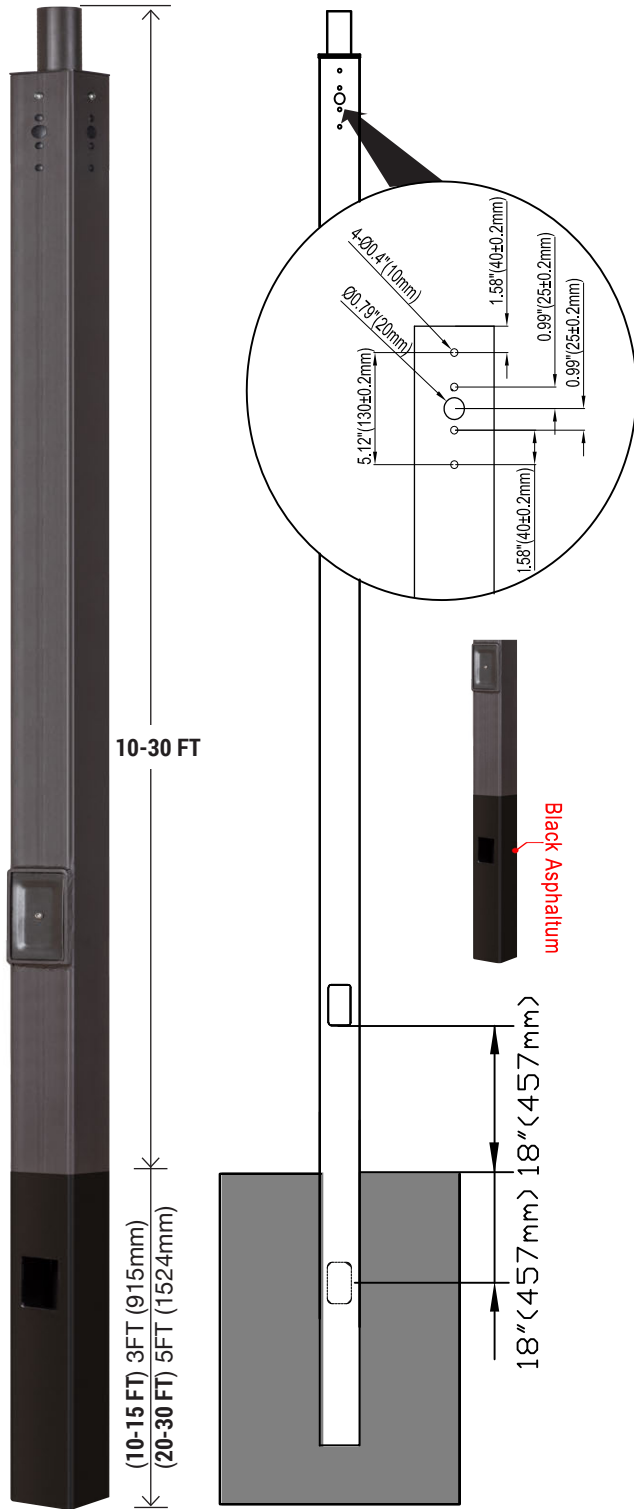


# Direct Burial Straight Square Steel Poles

**Size: 4" (4" x 4"), 5" (5" x 5")**



Direct Burial Straight Square poles are built from high strength steel tube and are available side drilled for arm mounted area lighting luminaires or with tenon mounts for flood and post top luminaires. Typical area lighting applications include retail centers, industrial parks, schools and universities, public transit and airports, office buildings and medical facilities. Mounting heights of 10 to 30 feet can be used based on selected luminaire application.

**5J 5-@56-@HM**  
 -b'g'c'W' UbX' g\ ]dg' Z'ca ' A W' ]bbYnã HL' UbX' HYa YW' Uz' 75' Zc' f' ei ]W' XY' ]j Yfm' D]W'i d' ]g' Uj Uj' UV' Y''

**FINISH:**  
 Textured architectural powder-coat finish, baked to ensure maximum paint adhesion, hardness and durability z k ]h' U' \cH X]d' [ Uj Ub]nYX' gi fZUW' hfYUha Ybh'

**ANCHOR BOLTS:**  
 Anchor bolts di fWUgYX' gYdUFUH' m] sized based on pole data charts for the selected pole size.

**HAND HOLE:**  
 Cast iron reinforced hand hole and cover with ground screw ]bW XYX.

**BASE COVER:**  
 6UgY' Vtj Yf di fWUgYX' gYdUFUH' m]g a two-piece formed steel cover that is easily assembled and fitted over h Y pole base.

**POLE LENGTH:**  
 Poles are available in standard lengths as shown in the order matrix. Poles can be custom cut to order. Consult factory.

**ACI BH-B; :**  
 5' hcd' a ci bhYX' &' #' #' C8' hYbcb' ]g' ]bW XYX'' Dc' Yg' UFY' dfY' Xf' ]YX' cb' ( 'g]XYg'k ]h' d'i [ g' Zc' f' g]XY' a ci bhcd]h'cbg

**SPECIFICATIONS:** Conforms to ASTM-A 500 Grade B: Minimum Yield Strength of 46,000 PSI.

**6@57? 5GD<5@H A.**  
 6' UW' 5gd\ U'h a ' ]g' Ub' YVt' bca ]W' Z' \ [ \ ' mdfchYV]j Yz UW' X' UbX' U' \_U' ]! fYg]g' Ubh Vt' U]b [ ' XYg] [ bYX' Zc' f' X]fYV]i Vi f]U' dc' Yg' H' ]g' dfchYV]j Y' Vt' U]b [ ' ]g' Udd' ]YX' cb' dck XYf! Vt' U]YX' dfcXi V]g' h'c' UXX' U' gi dd' Ya YbhU' ' UnYf' cZ Vt' ffc]gcb' dfchYV]j cbz' UX' Yg]cbz' UbX' k YUf' fYg]g' UbW' ' H' ]g' ]g' h' Y' VYgh' VY' ck ! [ fUXY' Vt' ffc]gcb' fYg]g' UbW' UbX' fi ghdfYj Ybh'cb''

**K 5F F 5BHM**  
 %nYUf'' ]a ]hYX' k UffUb]micb' dc' Yg' UbX' UWWggcf]Yg

SPECIFICATION	10FT	15FT	20FT	25FT	30FT
%\$ : cch					
% : cch					
&\$ : cch	L = 3.0 (m)	L = 4.6 (m)	L = 6.1 (m)	L = 7.6 (m)	L = 9.1 (m)
& : cch					
' \$ : cch					

# Direct Burial Straight Square Steel Poles

Size: 4" (4" x 4"), 5" (5" x 5")

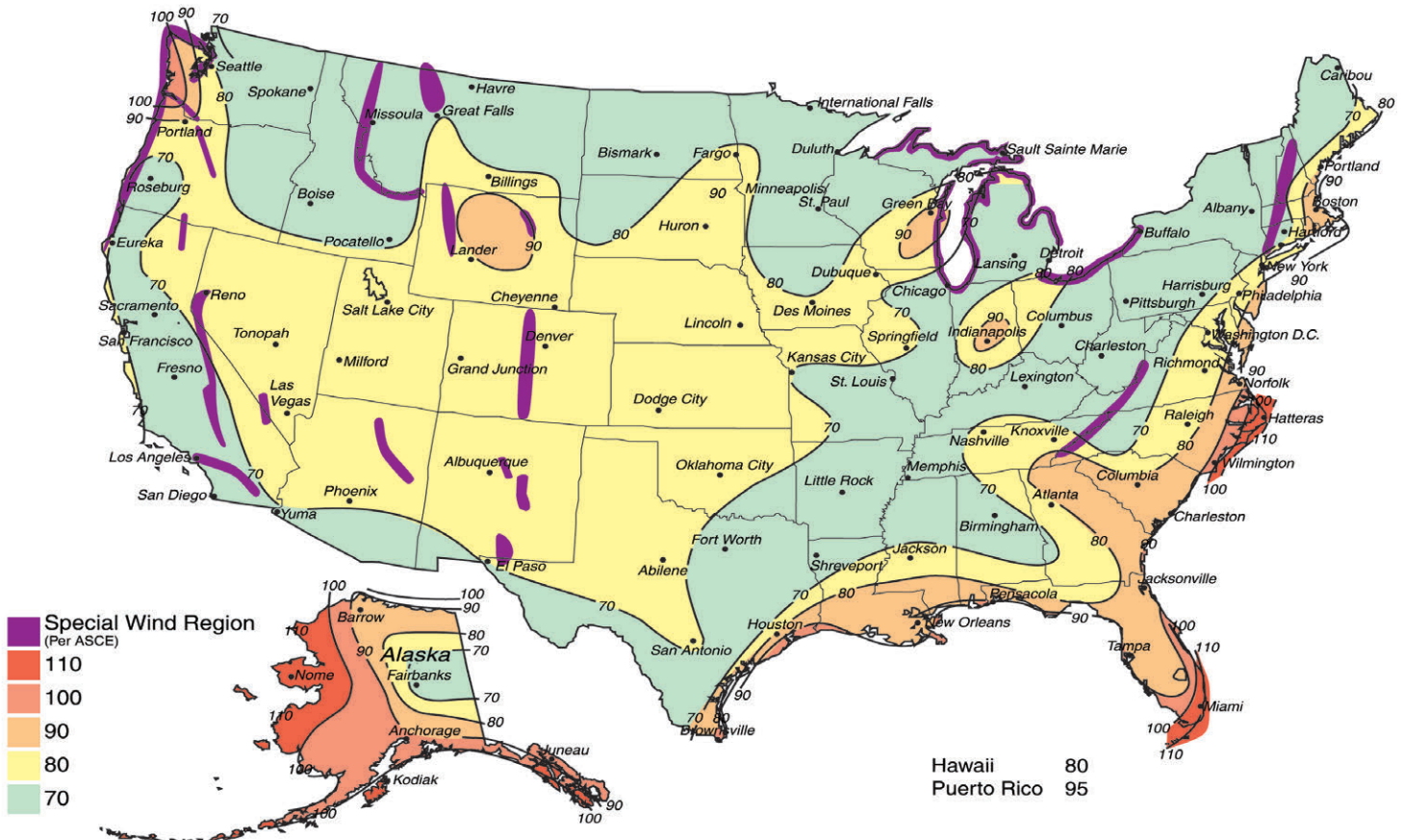
**Fixture Mounting:**

**SIDE MOUNT**

**POST TOP**

## DIMENSION DATA

GROUND HEIGHT	GAUGE	SIZE	SUBSURFACE DEPTH	WEIGHT (LBS)	EPA 70	EPA 80	EPA 90	EPA 100	EPA 110	EPA 120	EPA 130	EPA 140
10ft	11	4"x4"	3 ft	88	25.2	23.5	20.3	19.4	17.3	15.6	12.3	9.8
15ft				121	15.2	13.5	11.1	9.5	7.9	6.8	5.2	3.8
20ft			167	10.2	9.3	7.5	6.2	4.2	3.6	2.2	1.0	
25ft			198	8.9	6.9	5.7	4.1	3.6	2.2	1.1	0.8	
30ft		5"x5"	286	9.6	7.4	6.1	5.8	4.6	3.8	2.5	1.5	



# Direct Burial Straight Square Steel Poles

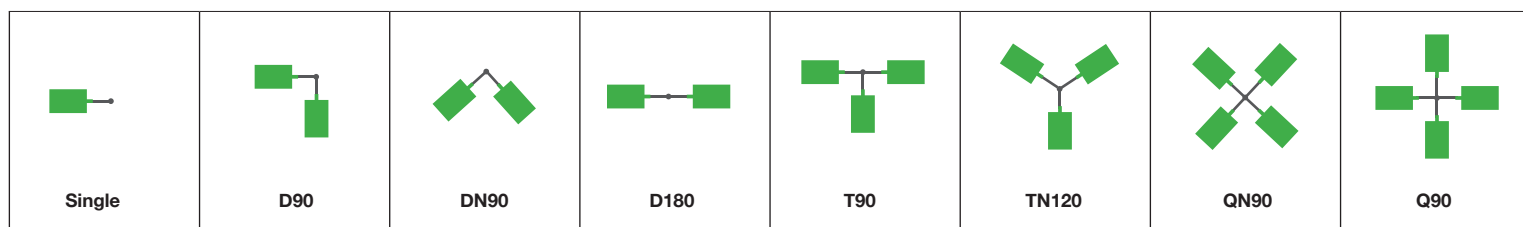
Size: 4" (4" x 4"), 5" (5" x 5")

**ORDERING INFORMATION** EXAMPLE: **VVDDBS-10FT-BZ-DH**

† 5XXYf 5dd JYg

VVDSPP	10FT	BZ	DH
<b>FAMILY</b>	<b>HEIGHT</b>	<b>FINISH</b>	<b>POST MOUNTING</b>
<b>VVDDBS</b>	<b>10FT</b> - (3.0 M) <b>15FT</b> - (4.6 M) <b>20FT</b> - (6.1 M) <b>25FT</b> - (7.6 M) <b>30FT</b> - (9.1 M)	<b>BZ</b> - Bronze <b>BK</b> - Black* <b>WT</b> - White* <b>CS</b> - Custom*	<b>PT</b> - Post Top - Includes & # 1/2" C8 Tenon Mount <b>SM</b> - Side Mount*

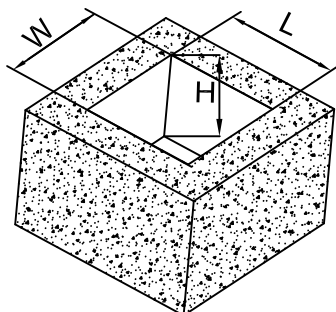
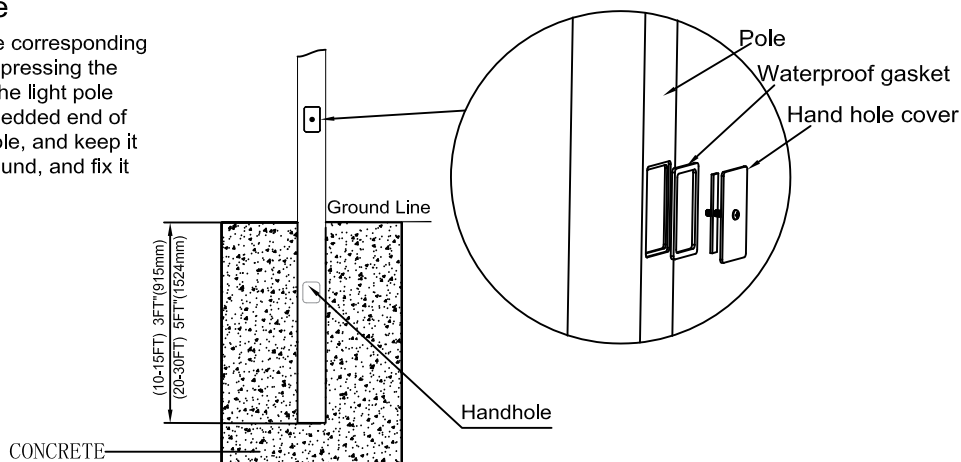
## FIXTURE CONFIGURATIONS



## INSTALLATION

### Installation Guide

Step 1. After digging the corresponding size foundation hole by pressing the table at the location of the light pole installation, put the embedded end of the light pole into the hole, and keep it perpendicular to the ground, and fix it with concrete casting.



Reference design of Concrete size			
Specifications	L	W	H
10-15FT	31.5"(800mm)	31.5"(800mm)	59.1"(1500mm)
20-30FT	35.4"(900mm)	35.4"(900mm)	82.7"(2100mm)

**Foundation Design:** We offer Foundation design references due to variations in soil structure across different areas, and we do not assume any responsibility for this variability.

Size: 4" (4" x 4"), 5" (5" x 5")

SQUARE EXTERNAL MOUNT HORIZONTAL TENON		• To mount 2/3/4 fixtures on an existing pole	
	<p><b>Low Profile Bullhorn with 3 Tenons</b>  <b>WSDVTS4R3TD</b>                      MAX EPA: 1.6                      Finish: Dark Bronze                      The Bracket is designed to mount over 2-3/8" O.D. vertical tenon.</p>		<p><b>Low Profile Bullhorn with 2 Tenons</b>  <b>WSDVTS4R2TD</b>                      MAX EPA: 1.0                      Finish: Dark Bronze                      The Bracket is designed to mount over 2-3/8" O.D. vertical tenon.</p>
	<p><b>Triple 120° Horizontal Tenon Adapter</b>  <b>WSDQT1203TD</b>                      MAX EPA: 1.4                      Finish: Dark Bronze                      The Bracket is designed to mount over 2-3/8" O.D. vertical tenon.</p>		<p><b>Quad 90° Horizontal Tenon Adapter</b>  <b>WSDQT904TD</b>                      MAX EPA: 1.6                      Finish: Dark Bronze                      The Bracket is designed to mount over 2-3/8" O.D. vertical tenon.</p>
WALL BRACKET • Attaches to any flat surface • Provides wiring access		MID-POLE TENON BRACKET	
	<p><b>90° Wall Mount Bracket with 2-3/8" O.D. Tenon</b>  <b>WSDADP2590D</b>                      MAX EPA: 0.6                      Finish: Dark Bronze                      The 90° wall mount bracket with 2-3/8" tenon attaches flood and area fixtures to almost any surface: wall, roof, or wood pole. Provides wiring access and a built-in 2-3/8" O.D. tenon to mount a fixture with our adjustable slip-fitter. Suggested 3/8" diameter bolts for mounting.</p>		<p><b>2-3/8" OD Horizontal Tenon Mid-Pole Bracket</b>  <b>WSDADP25D</b>                      MAX EPA: 0.3                      Finish: Dark Bronze                      2-3/8" OD Horizontal Tenon Mid-Pole Bracket is designed to mount light fixture that is equipped with an adjustable slip-fitter onto a 2-3/8" OD horizontal tenon.</p>
	<p><b>180° Wall Mount Bracket with 2-3/8" O.D. Tenon</b>  <b>WSDADP2518039</b>                      MAX EPA: 0.5                      Finish: Dark Bronze                      The 180° wall mount bracket with 2-3/8" tenon attaches flood and area fixtures to almost any surface: wall, roof, or wood pole. Provides wiring access and a built-in 2-3/8" O.D. tenon to mount a fixture with our adjustable slip-fitter. Suggested 3/8" diameter bolts for mounting.</p>		<p><b>2-3/8" OD Horizontal Tenon Arc Adapter</b>  <b>WSDADPBAR5D</b>                      MAX EPA: 0.3                      Finish: Dark Bronze                      For use with Round, non-tapered steel and aluminum poles. 2-3/8" OD Horizontal Tenon Mid-Pole Bracket is designed to mount light fixture that is equipped with an adjustable slip-fitter onto a 2-3/8" OD horizontal tenon.</p>
	<p><b>Square Triple 90° Horizontal Tenon Adapter</b>  <b>WSDQT903TD</b>                      MAX EPA: 1.5                      Finish: Dark Bronze                      The Bracket is designed to mount over 2-3/8" O.D. vertical tenon.</p>		<p><b>Round Triple 90° Horizontal Tenon Adapter</b>  <b>WSDSB25QD903</b>                      MAX EPA: 0.3                      Finish: Dark Bronze                      The Bracket is designed to mount over 2-3/8" (60mm) O.D. vertical tenon. Triple" fixtures can be mounted to the Round External Mount Horizontal Tenon and adjusted horizontally.</p>
	<p><b>Low Profile Bullhorn with 4 Tenons</b>  <b>WSDVTS4R4TD</b>                      MAX EPA: 1.7                      Finish: Dark Bronze                      The Bracket is designed to mount over 2-3/8" O.D. vertical tenon.</p>		<p><b>Four 180° Horizontal Tenon Adapter</b>  <b>WSDRB25TR180</b>                      MAX EPA: 1.4                      Finish: Dark Bronze                      The Bracket is designed to mount over 2-3/8" (60mm) O.D. vertical tenon. Four" fixtures can be mounted to the Round External Mount Horizontal Tenon and adjusted horizontally.</p>

# Direct Burial Straight Square Steel Poles

Size: 4" (4" x 4"), 5" (5" x 5")

ROUND EXTERNAL MOUNT HORIZONTAL TENON - To mount 2/3/4 fixtures on an existing pole			
	<p><b>Double 90° Horizontal Tenon Adapter</b>  <b>WDSB25TW90</b>                      MAX EPA: 0.6                      Finish: Dark Bronze                      The Bracket is designed to mount over 2-3/8" (60mm) O.D. vertical tenon. Two fixtures can be mounted to the Round External Mount Horizontal Tenon and adjusted horizontally.</p>		<p><b>Triple 120° Horizontal Tenon Adapter</b>  <b>WDSB5TR120</b>                      MAX EPA: 0.7                      Finish: Dark Bronze                      The Bracket is designed to mount over 2-3/8" (60mm) O.D. vertical tenon. Three fixtures can be mounted to the Round External Mount Horizontal Tenon and adjusted horizontally.</p>
	<p><b>Double 180° Horizontal Tenon Adapter</b>  <b>WDSB5TW180</b>                      MAX EPA: 0.4                      Finish: Dark Bronze                      The Bracket is designed to mount over 2-3/8" (60mm) O.D. vertical tenon. Two fixtures can be mounted to the Round External Mount Horizontal Tenon and adjusted horizontally.</p>		<p><b>Quad 90° Horizontal Tenon Adapter</b>  <b>WDSB25QD90D</b>                      MAX EPA: 0.3                      Finish: Dark Bronze                      The Bracket is designed to mount over 2-3/8" (60mm) O.D. vertical tenon. Four fixtures can be mounted to the Round External Mount Horizontal Tenon and adjusted horizontally.</p>
	<p><b>Single Spoke Bracket Tenon Adapter</b>  <b>WDSB25S90D</b>                      MAX EPA: 0.4                      Finish: Dark Bronze                      The Bracket is designed to mount over 2-3/8" (60mm) O.D. vertical tenon. One fixture can be mounted to the Round External Mount Horizontal Tenon and adjusted horizontally.</p>		<p><b>180° Double Bullhorn</b>  <b>WDRB25D180</b>                      MAX EPA: 0.9                      Finish: Dark Bronze                      The Bracket is designed to mount over 2-3/8" (60mm) O.D. vertical tenon. Two fixtures can be mounted to the Round External Mount Horizontal Tenon and adjusted horizontally.</p>
	<p><b>180° Triple Bullhorn</b>  <b>WDRB25TR180D</b>                      MAX EPA: 1.4                      Finish: Dark Bronze                      The Bracket is designed to mount over 2-3/8" (60mm) O.D. vertical tenon. Three fixtures can be mounted to the Round External Mount Horizontal Tenon and adjusted horizontally.</p>		<p><b>90° Quad Bullhorn</b>  <b>WDRB25QD90</b>                      MAX EPA: 1.5                      Finish: Dark Bronze                      The Bracket is designed to mount over 2-3/8" (60mm) O.D. vertical tenon. Four fixtures can be mounted to the Round External Mount Horizontal Tenon and adjusted horizontally.</p>
	<p><b>90° Wall Mount Bracket with 2-3/8" O.D. Tenon</b>  <b>WSDADP2590HD</b>                      MAX EPA: 0.7                      Finish: Dark Bronze                      The 90° wall mount bracket with 2-3/8" tenon attaches flood and area fixtures to almost any surface: wall, roof, or wood pole. Provides wiring access and abuilt-in 2-3/8" O.D. tenon to mount a fixture with our adjustable slip-fitter. Suggested 3/8" diameter bolts for mounting. Mounting h</p>		<p><b>Double 180° Horizontal Tenon Adapter</b>  <b>WDRB5TR180D</b>                      MAX EPA: 1.0                      Finish: Dark Bronze                      The Bracket is designed to mount over 2</p>
	<p><b>Triple 120° Horizontal Tenon Adapter</b>  <b>WDSB25TR120V</b>                      MAX EPA: 1.5                      Finish: Dark Bronze                      The Bracket is designed to mount over 2-3/8" (60mm) O.D. vertical tenon. Three fixtures can be mounted to the Round External Mount Horizontal Tenon and adjusted horizontally.</p>		<p><b>Double 180° Wall Mount Bracket with 2-3/8" O.D. Tenon</b>  <b>WSDADP25180H</b>                      MAX EPA: 1.4                      Finish: Dark Bronze                      The 180° wall mount bracket with 2-3/8" tenon attaches flood and area fixtures to almost any surface: wall, roof, or wood pole. Provides wiring access and abuilt-in 2-3/8" O.D. tenon to mount a fixture with our adjustable slip-fitter. Suggested 3/8" diameter bolts for mounting. Mounting holes are spaced 3-1/4" apart.</p>