

Product Description

The Industry series is a ARRA compliant wall mount luminaire using the latest Samsung LEDs. From benchmarking a minimum 104 degree F ambient during thermal testing, to custom designed LED arrays for each luminaire individually, to using the best housing materials and coatings, each aspect has been taken into careful consideration to ensure many years of trouble-free service.

> Quick Ship - In Stock, Ready to Ship

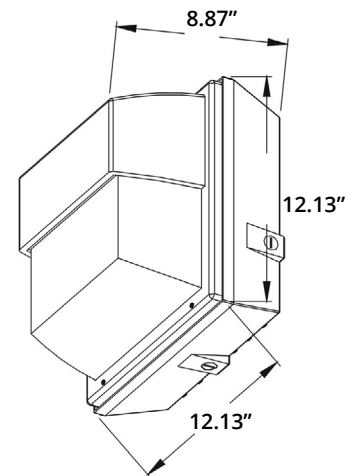
Project:		Type:
Location:		
Prepared By:		Date:
Comments:		

Performance Summary

- Energy-efficient Samsung LEDs with high efficacy >60 Lm/W
- Buy American Act and ARRA compliant
- Quick Ship - In stock and ships from six locations for quick delivery
- USA assembled product with quick warranty support
- Standard design with modern components, excellent choice for retrofitting
- Better visibility than HID or fluorescent with crisp, white light in 5000K CCT
- Open frame design with Type V IES 120 degree beam angle
- Patented design with high quality components, excellent choice for retrofitting
- High lumen maintenance exceeds DOE requirements
- Solid State with high-shock and vibration resistance
- 1/9th LED micro color binning enables tight color control
- Hot color targeting ensures color is within ANSI bin compliance
- CNC machined LED boards are flatness controlled to 0.1mm to speed up heat dissipation
- High quality and efficient thermal heatsinks for long life
- Shatterproof polycarbonate lens over the LEDs with rubber grommet
- LED array manufactured using a state-of-the-art SMT machine
- A360 ingot die-cast aluminum alloy housing with bronze powdercoat finish
- Chromate conversion coating for long lasting appearance
- Custom housing colors available upon request
- 1/2" coin plugs with o-rings for conduit and photocell
- Cast-in template for mounting directly over a 4" recessed outlet box
- Accessible to mount by 1/2" surface conduit
- Rust resistant stainless steel hardware with durable nickel-plating
- Fin heatsinks for best heat dissipation and long life
- High CRI - RA>85 enhances original colors
- 1-10V dimmable driver with surge protection option
- Fast turn on with no warm up or cold start issues
- Contains no mercury, lead, infrared or UV radiation and cool to the touch
- Operating temperature: -40 to 50 degrees celsius
- Samsung chip platform with completed 6,000 hour LM-80 test
- 100,000 hour LED life @ L70 tested at 105 degrees celsius
- Certifications: CE, RoHS, CSA - IP65 outdoor rated
- 10 year limited warranty

INDUSTRY EL

Polycarbonate Lens Wall Pack
LED Dimmable Luminaire



Models:

- VDWPS30QF: 45W - 2600 Lm

Ordering Information:				Part Number:		Ordering Example: VDWPS30QF-50-S5C-V27-BZ-ND
*Adder Applies		**Adder Applies. Extended Lead Time May Apply.				
Family	CCT	Optic	Voltage	Finish	Dimming	Accessories*
VDWPS30QF	40 - 4000K 50 - 5000K	S5C - Type IV	V27 - 120-277V V28 - 347-480V*	BZ - Bronze CS - Custom**	ND - Non Dim DM - 1-10V Dim	SP - 20kA Surge Protection 120-277VAC



Vivid Leds, Inc.
PO BOX 9
Sellersburg, IN 47172
sales@vividleds.us
www.vividleds.us

Dimensions, specifications, and product pictures are subject to change without notice.

Dimensional pictures are for reference only. They do not represent the actual fixture's shop drawing or design.

Z67