



Product Introduction:

Welcome to purchase our led Area Light, which is with imported high-brightness SMD2835 led chip, with unique high purity die-cast aluminum heat sink, and high efficiency constant current or constant voltage driver. Idea product for the parking lot, street light, road light and similar applications

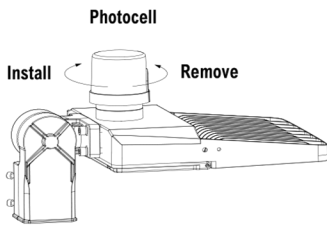
Product Features:

- ☆ The material of heat sink is high thermal conductivity die-cast aluminum, good for heat dissipation and the surface is anti-static.
- ☆ The unique design of housing help to speed up the heat dissipation, further ensuring the life to the future.
The integrated design of appearance makes the fixture looks elegant.
- ☆ This fixture is waterproof, dustproof, anticorrosive.

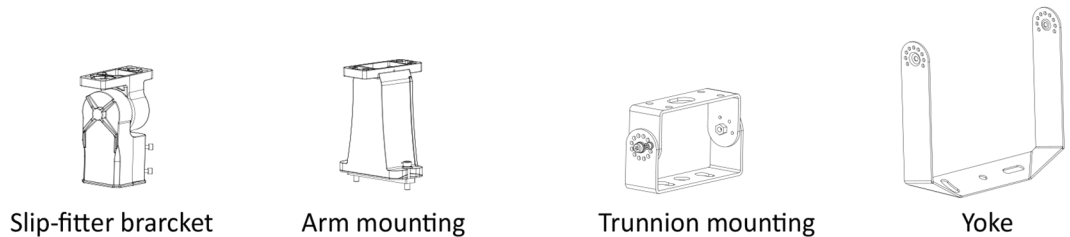
Warning

1. Please read the manual carefully before installation.
2. Please authorize only qualified person or professional engineer to install the fixture.
3. Before installation, please check if the local voltage range is correspond with the working voltage of the fixture.
4. If the fixture is damaged, it should be replaced by the supplier, a service agent or a qualified person.
5. Please keep the fixture out of fire, electric shock, vibration.
6. Avoid fire, electric, shock.

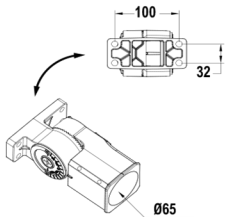
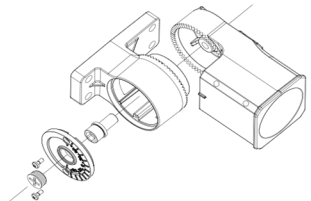
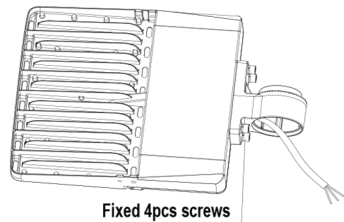
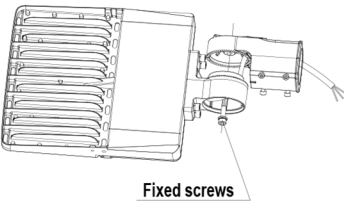
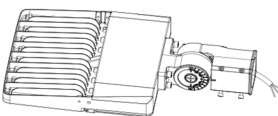
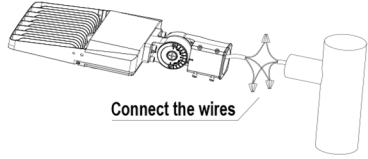
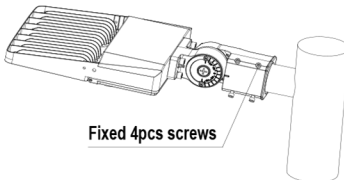
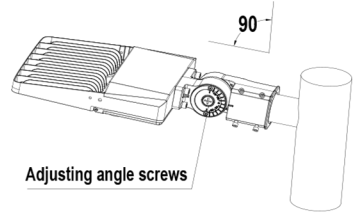
Install photo sensor



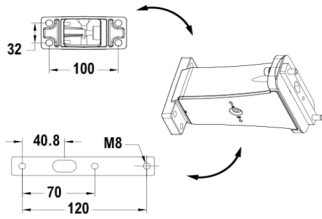
Mounting Options



Installation instruction I :

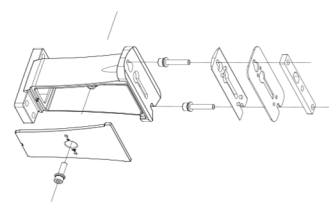
 <p>Slip-fitter bracket Parameter Circular lamp post</p> <p>Unit:mm</p>	 <p>1. Split the bracket.</p>	 <p>Fixed 4pcs screws</p> <p>2. Insert the AC line from the bracket into the base and fix the 4pcs screw on the lamp body.</p>	 <p>Fixed screws</p> <p>3. Insert the AC line into the other part of the bracket, adjust the appropriate angle and tighten the large screw.</p>
 <p>4. Fix the lid on the bracket with screws.</p>	 <p>Connect the wires</p> <p>5. Connect the same color lines together and do protective treatment (corresponding to L/N/G).</p>	 <p>Fixed 4pcs screws</p> <p>6. Install the lamp post and tighten the M8 screw.</p>	 <p>Adjusting angle screws</p> <p>7. Adjust to the required angle through large screws.</p>

Installation instruction II :

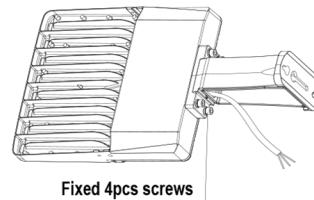


Arm mounting
Parameter square lamp post

Unit:mm

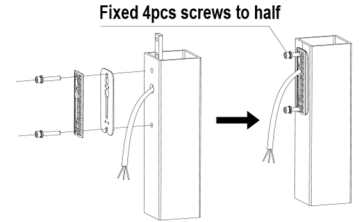


1. Split the bracket.

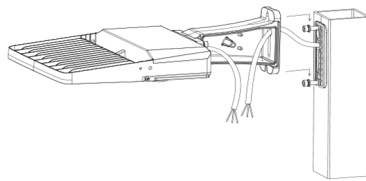


Fixed 4pcs screws

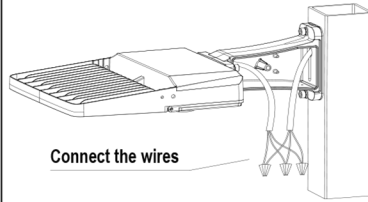
2. Insert the AC line from the bracket into the base and fix the 4pcs screw on the lamp body.



3. fix iron and Rubber Aprons in the lamp post and lock the screws to half.

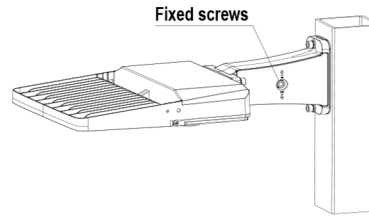


4. clip the bracket into the screw and tighten the screws.



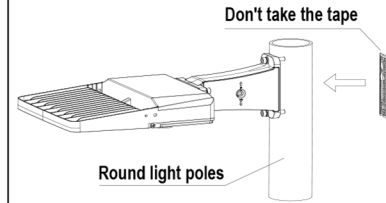
Connect the wires

5. Connect the same color lines together and do protective treatment (corresponding to L/N/G).



Fixed screws

6. put the wire into the support chamber and lock the cover.

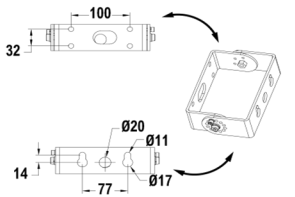


Don't take the tape

Round light poles

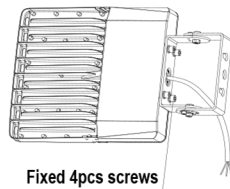
7. remove one of the aprons and install them on a circular lamp post.

Installation instruction III :



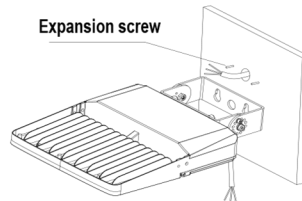
Trunnion mounting
parameter:
Trunnion mounting installation

Unit:mm



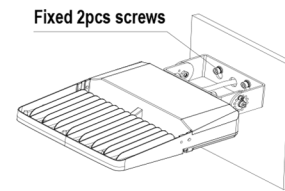
Fixed 4pcs screws

1. Insert the AC line from the bracket into the base and fix the 4pcs screw on the lamp body.



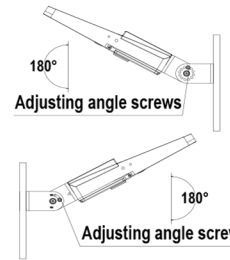
Expansion screw

2. Drill two holes and insert two expansion screws.



Fixed 2pcs screws

3. Fixed with screws, and then joined the same color of the wire together, and do a good job of protection (corresponding to L/N/G)

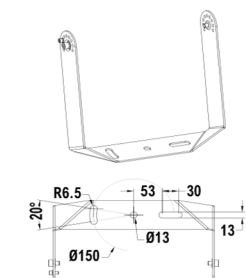


180°
Adjusting angle screws

Adjusting angle screws

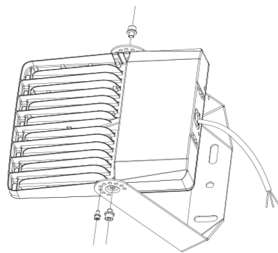
Two adjustment methods
4. release the screws and adjust to Angle of need, tighten screws

Installation instruction IV :

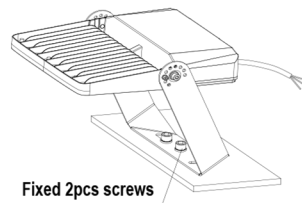


Yoke
parameter: Yoke installation

Unit:mm

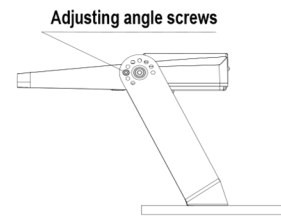


1. fix 3pcs screws on the lamp body.



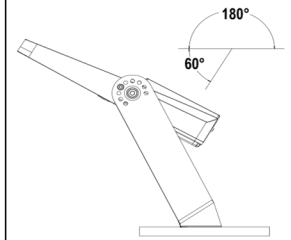
Fixed 2pcs screws

2. Drill two holes and insert two expansion screws.



Adjusting angle screws

3. Fixed with screws, and then joined the same color of the wire together, and do a good job of protection (corresponding to L/N/G)



4. release the screws and adjust to Angle of need, tighten screws

Wiring Diagram

AC cord

EU- Standard	US- Standard	label
Brown	Black	L L
Blue	White	N N
Yellow/Green	Green	⊕GND ⊕GND

0-10V dimmable

	label
Purple	DIM+ D+
Pink	DIM- D-
Black&White	+12V

