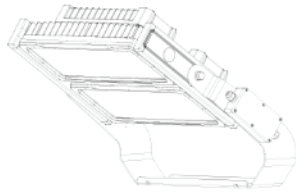


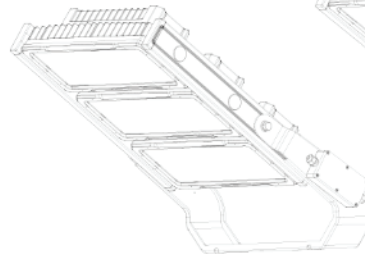
User Manual



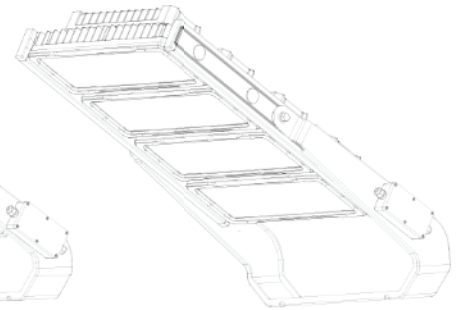
300W



600W



900W



1200W

- Please read instruction carefully before assembling and installation
- Please keep instruction as reference in the future

Product Introduction

Welcome to purchase our led flood light, which is with imported high-brightness LUMILEDS2835 or Samsung 3535 or JN-CSP2323 led chip, with die-cast aluminum, module design, and high efficiency constant current driver. Ideal product for the Stadiums, squares, Wharf, Harbor Plaza, and similar applications.

Product Features

1. The optical surface is glass, with better weather resistance, easy to clean.
2. Adjust the angle of mold with tools.
3. This fixture is waterproof, dustproof, anticorrosive.
4. A variety of mounting methods and optics are available.

Technical Parameters

Product/Parameter	300W	600W	900W	1200W
Input Voltage	AC100-277V/AC277-480V			
Power Frequency	50/60 Hz			
Material	ADC12			
Driver	SOSEN			
Working Temperature	-40~ +50°C			
Storing Temperature	-40~ +85°C			
Working Humidity	10%~ 95%RH			
Beam Angle	Asymmetrical lens: 130°X30°, 150°X60° Symmetrical lens: 10°, 30°, 60°, 90°, 120°			
Color Temperature	2700~6500K			
Body Weight	6.3kg±0.5	15.4kg±0.5	23.0kg±0.5	29.6kg±0.5
Lamp Dimension	490*193*236mm	602*329*466mm	602*329*656mm	602*520*801mm
Maximum projection area	0.08m ²	0.19m ²	0.29m ²	0.38m ²

Packing including

1. 1pcs LED flood light.
2. 1pcs product user manual.

Warning

1. Please read the manual carefully before installation.
2. Please authorize only qualified person or professional engineer to install the fixture.
3. Before installation, please check if the local voltage range is correspond with the working voltage of the fixture.
4. If the fixture is damaged, it should be replaced by the supplier, a service agent or a qualified person.
5. Please keep the fixture out of fire, electric shock, vibration.
6. To avoid fire, electric, shock.

Wiring Diagram

US- Standard

Black

White

Green

EU- Standard

Brown

Blue

Yellow/Green

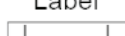
L

N

PE



Label



0-10V dimmable

Purple

Pink

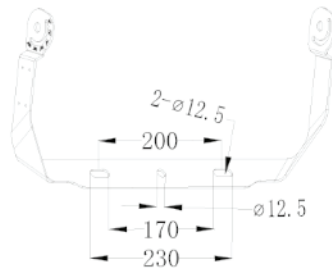


Lable

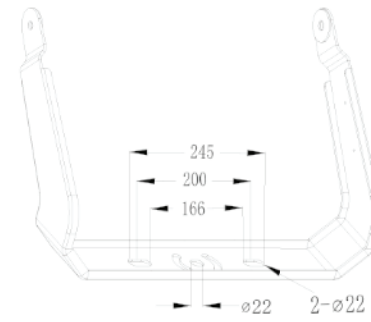


Hole dimension for mounting

(Unit:mm)



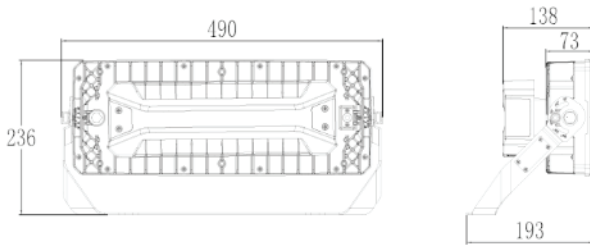
300W



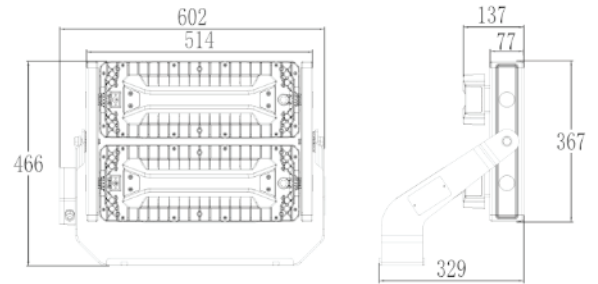
600W/900W/1200W

LED light dimensions

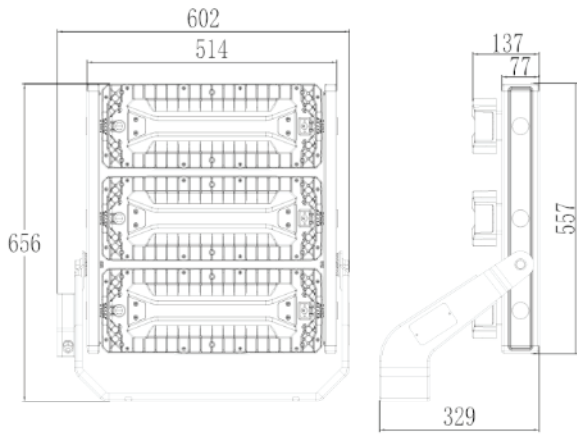
(Unit:mm)



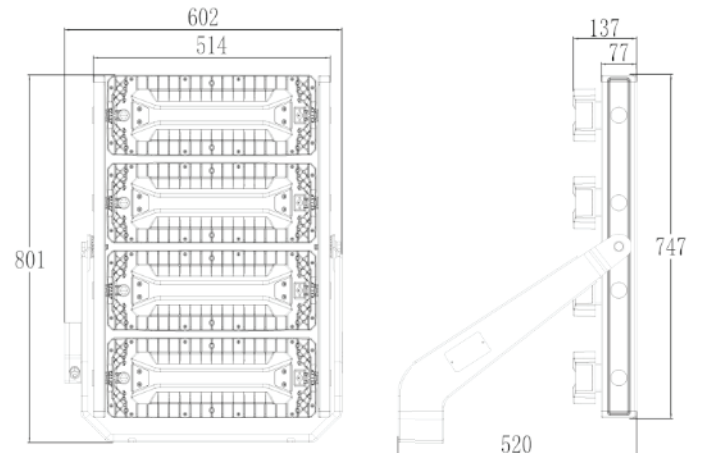
300W



600W



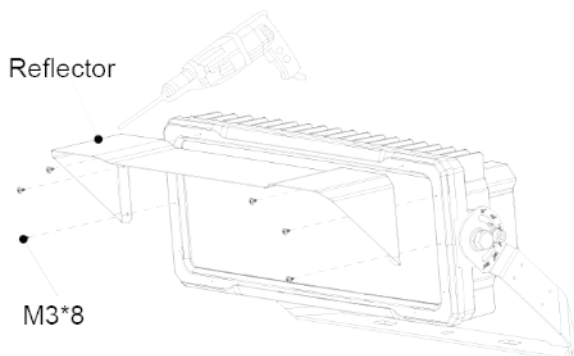
900W



1200W

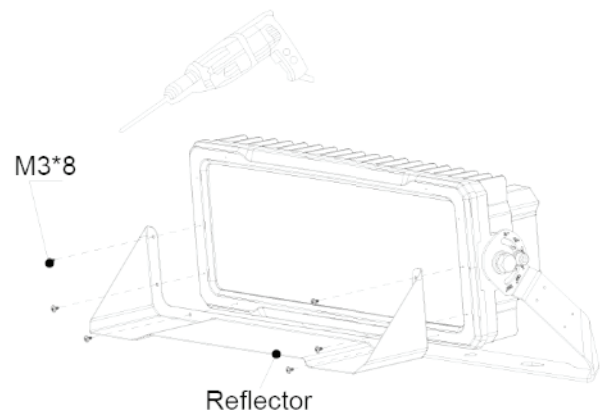
Installation(Reflector)

Symmetrical



Lock the a reflector covers to at the top of Led Modules with M3*8 screws.

Asymmetrical

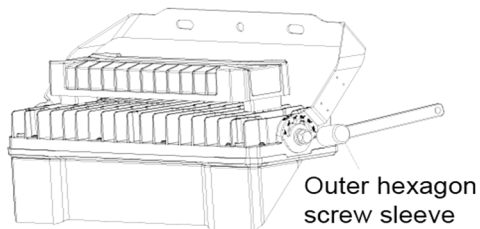


Lock the a reflector covers to at the bottom of Led Modules with M3*8 screws.

Installation

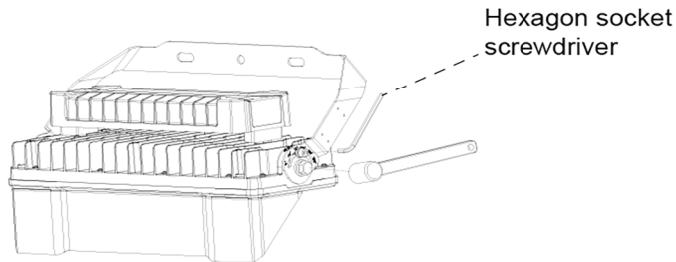
300W

1A



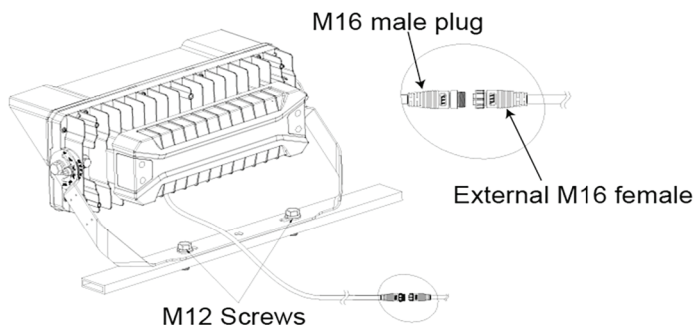
Lock the bracket with M12*35mm screws by the Outer hexagon screw sleeve.

2A



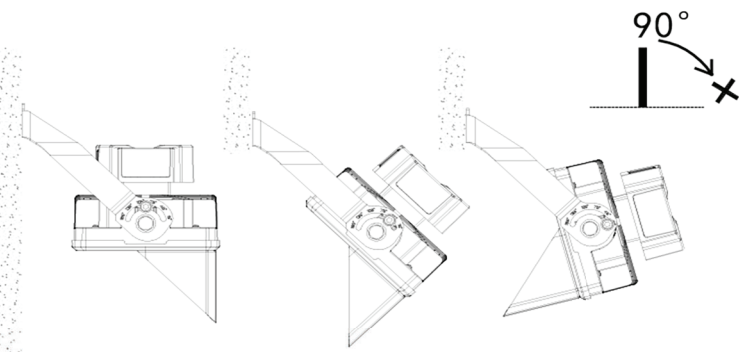
After adjusting the angle, push the M6*20mm screw and lock it by the Hexagon socket screwdriver, Then Lock M12*35mm screws by the Outer hexagon screw sleeve.

3A



Press the M16 male plug to connect the external M16 female plug cable.

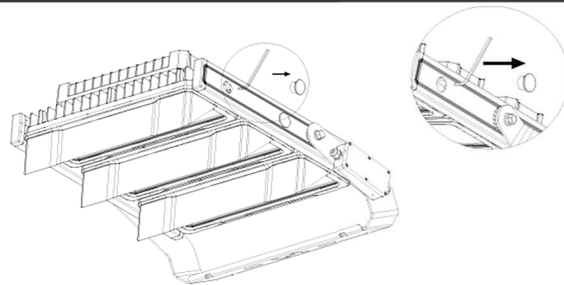
4A



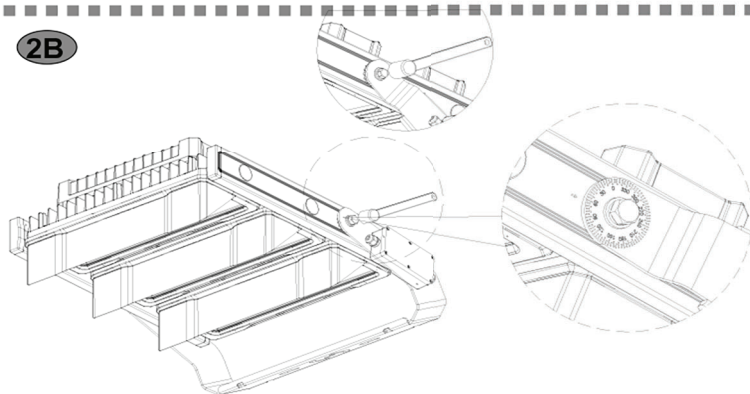
The whole lamp can be rotated by +15°- +90°

600W/900W/1200W

1B

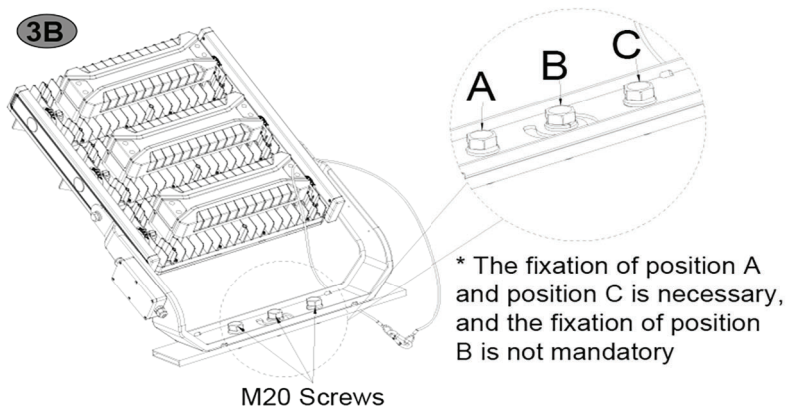


2B



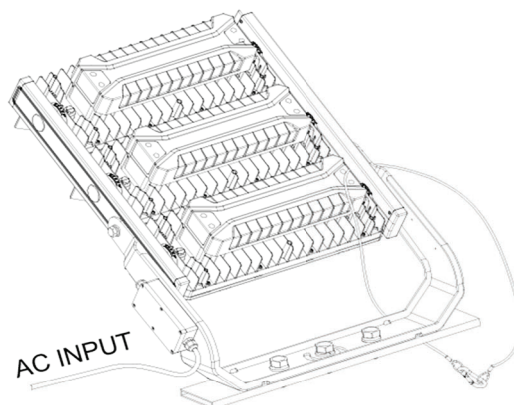
After adjusting the angle, push the M12 screw.

3B



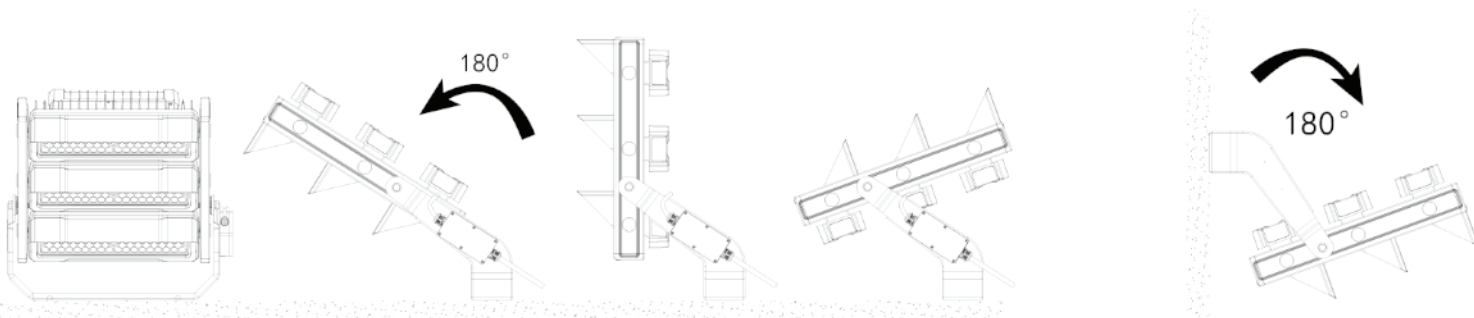
After adjusting the angle, fix the accessory safety rope to the fixture. The other end is fixed on the mounting pole

4B



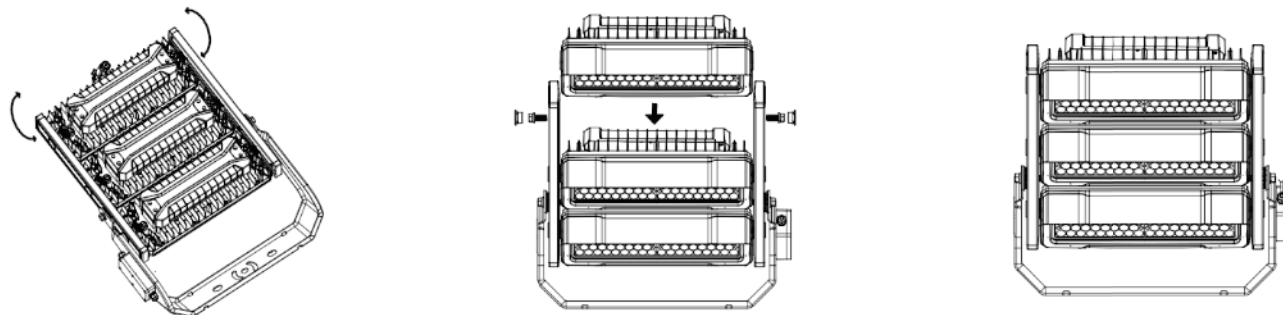
Wiring, distinguishing between positive and negative poles and grounding wire

Installation angle



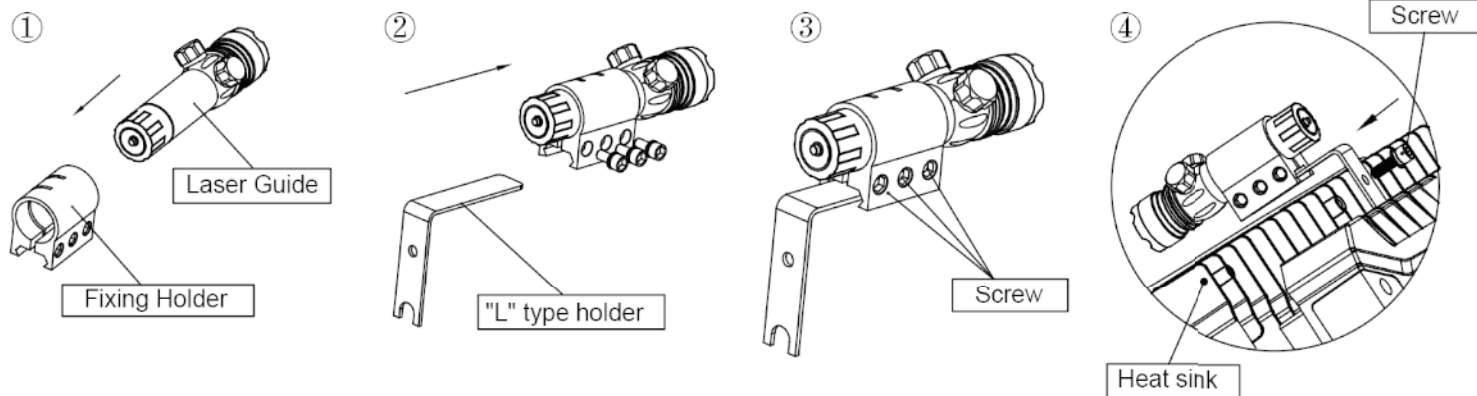
The lamp body rotates at an angle of 180°

Replace module



For module replacement, you need to unscrew the waterproof male and female heads, so that the rotating parts of the connecting arms are fully opened to 90°, so that the modules can be taken out and replaced!

Installation laser



- ① Fix the laser guide on the holder
- ② To insert the "L" Type holder at the button of the fixing holder
- ③ To lock the screws at two end on the fixing holder
- ④ Align the sight bracket hole with the middle screw hole of the Heat sink and lock the screw to fix the sight

Warning



1. If the external flexible cable or cord of this luminaire is damaged, it shall be exclusively replaced by the manufacturer or his service agent or a similar qualified person in order to avoid a hazard.
2. Shall not touch while the luminaires is lighting on.
3. The light source contained in this luminaire shall only be replaced by the manufacturer or his service agent or a similar qualified person.
4. The luminaire should be installed and maintained by qualified electrician and wired in accordance with the latest IEE electrical regulations or the national regulations.
5. The luminaire should be positioned so that prolonged staring into the luminaire at a distance closer than 70m is not expected.
6. Reinforced insulation between LV supply and controlling terminal was provided.
7. It has a maximum installation height of 30 meters.
8. When used outdoors, glass surfaces should not face directly into the sky.