

Important Information

- Product must be installed in accordance with the current regulations and electrical codes in the country of installation and all wiring must be done by a qualified electrician.
- These products are designed for connection to a 90-305VAC/347-480V 50/60Hz supply.
- Any broken or damaged parts should be replaced as soon as possible.
- Luxtronik will not accept responsibility for any claims arising from a poor installation

Important User Safety Advice

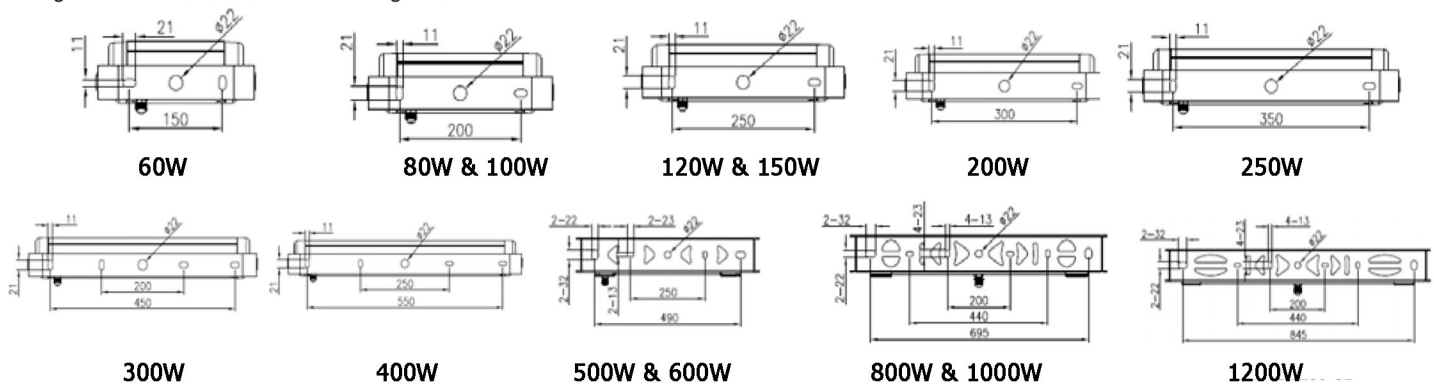
- Make sure to observe and follow all necessary health and safety precautions when installing.
- Always disconnect power before installation or servicing

SAVE THESE INSTRUCTIONS FOR FUTURE REFERENCE

Luminaire Surface Mount Assembly

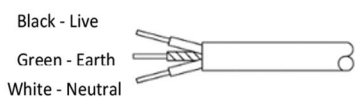
1. Check you have all the tools and accessories required to complete the installation correctly.
2. Use measurements of bracket in Fig.1 as a guide and drill mounting holes.
3. Loosen bracket securing bolts from luminaire so the bracket is loose enough to rotate by hand
4. Fix luminaire using suitable fixings (not supplied) for application.
5. Once mounted, adjust the luminaire to desired angle and secure the bracket securing bolts
6. Connect the mains input cable as indicated in below diagram using a suitable connector/connection box to maintain the IP rating for the location.
7. Turn on power supply and test for correct operation.

Fig. 1 Measurements of bracket mounting holes

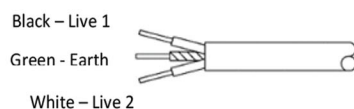


Electrical Connections

90-305VAC 50/60Hz / Class I



347-480VAC 50/60Hz /



Dimming

If you wish to dim this fitting, please ensure that you have purchased the dimmable model. Connect the supply dimming positive wire to the positive (+) terminal, connect the supply dimming negative wire to the negative (-) terminal. If dimming is not required, ensure to isolate the supply dimming cables.