

Product Description

This attractive and newly redesigned heavy-duty bollard features a full proof aluminum constructed housing. It provides corrosion and vandal resistance that is not only ideal for lighting pedestrian walkways, but also for accenting the exterior ground of office and apartment buildings, hotels and parks. A solid foundation and driver withstands the elements even in the worst weather conditions. Wattage and CCT selectable included.

> Quick Ship - In Stock, Ready to Ship

Project:		Type:
Location:		
Prepared By:		Date:
Comments:		

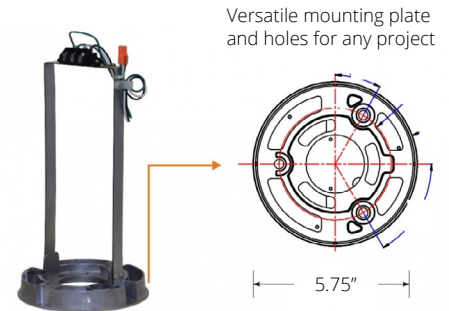
Performance Summary

- Raptor round LED bollard with flat or domed top
- Energy-efficient Philips Lumileds SMD LEDs with high efficacy >129 Lm/W
- USA assembled product with quick warranty support
- In stock and ships from several U.S. locations for quick delivery
- Standard design with modern components, excellent choice for retrofitting
- Low profile, 3G vibration rated compact design minimizes wind loads
- National listing lab tested to IES standards in Type V distribution
- Solid State with high-shock and vibration resistance
- Extruded aluminum tube provides strength and durability
- Versatile mounting plate allows for easy installation and replacement
- Torx security screws secure the LED compartment to the base to deter vandalism
- Terminal block on base bracket for easy installation of incoming supply wires
- Quick disconnect near terminal block for simple connection to the LED driver
- Vented housing isolates LED module from driver, maximizing product life
- Aluminum LED boards with copper tracings for best thermal management
- LED array manufactured using a state-of-the-art SMT machine
- Airtight LED compartment to prevent fogging and condensation
- Anodized aluminum reflector reduces glare and produces an even distribution
- Clear UV resistant high-impact polycarbonate lens allows for optimal light output
- Architectural bronze UV-stabilized polyester powdercoat finish
- Chromate conversion coating for long lasting appearance
- Rust resistant stainless steel hardware with durable nickel-plating
- CCT selectable from 3000K to 5000K
- 1/9th micro color binning enables tight color control
- Hot color targeting ensures color is within ANSI bin compliance
- Advanced, serviceable, constant current Sosen driver with standard 4KV surge
- High power factor with IC controlled LED circuits and low THD driver
- Low junction temperature for long life and low lumen depreciation
- Instant illumination and restrike with no warm up or cold start issues
- Contains no mercury, lead, infrared or UV radiation and cool to the touch
- Operating temperature: -40 to 45 degrees C
- 100,000 hour LED life based on LM-80 results and TM-21 calculation - RA>80
- Certifications: CE, RoHS, UL, cUL, DLC - IP65 outdoor rated
- 10 year limited warranty

Raptor WSB

Ground Mounted with Base

Wattage & CCT Selectable LED Luminaire



Models:

- VWDGRPL5WS - 10W/20W30W - 3997 Lm - 42" (H) x 5.75" (W) - 23 Lbs

Ordering Information:				Part Number:		Ordering Example: VWDGRPL5WS-CS-T5-V27-BZ-OF-CL-MP	
Family	CCT	Optic	Voltage	Finish	Top	Lens Type	Mounting
VWDGRPL5WS	CS - Color Selectable	T5 - Type V	V27 - 120-277V	BZ - Bronze	FT - Flat Top DM - Dome Top	CL - Clear	MP - Mounting Plate



Vivid Leds, Inc.
PO BOX 9
Sellersburg, IN 47172
800-974-3570
www.vividleds.us

Dimensions, specifications, and product pictures are subject to change without notice.

G20