

# LED Lighting Fixture

## SAVE THESE INSTRUCTIONS



### BEFORE YOU BEGIN

Read and follow all safety instructions



## WARNING

### RISK OF FIRE, EXPLOSION AND ELECTRIC SHOCK

- This product should be installed, inspected, and maintained by a qualified electrician only, in accordance with the NEC (National Electric Code) and all local codes.
- Turn off electrical power before inspection, installation or removal.
- Use only UL (or other NRTL) approved wire for input/output connections. Minimum size 18 AWG or 14 AWG for continuous runs.
- Make sure LEDs and drivers are cool to touch when performing maintenance. Make sure the supply voltage is the same as the rated voltage of the luminaire.
- Do not install in a hazardous atmosphere, except where the ambient temperature does not exceed the rated operating temperature of the fixture.
- Keep tightly closed when in operation



## Prepare Electrical Wiring



### Electrical Requirements

- The LED driver must be supplied with the voltage specified on the product label and connected to an individual, properly grounded branch circuit protected by a 20 Ampere circuit breaker. Use min. 75°C supply.



### Grounding Instructions

- The grounding and bonding of the overall system shall be done in accordance with NEC Article 600 and local codes

# LED Wall Light

## Installation Guide

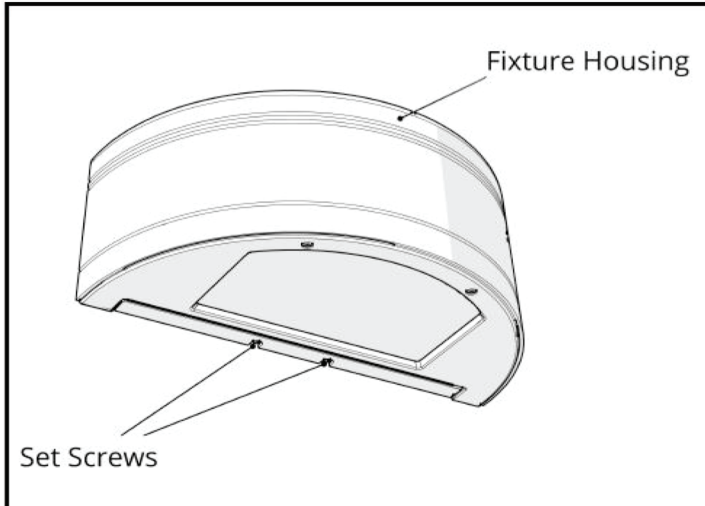
### Before starting:

- Ensure that the supply power is shut off.
- Unpack the fixture and ensure that there are no damaged or missing parts.
- **NOTE:** Fixture must be sealed where it contacts the mounting surface with a silicone sealant.

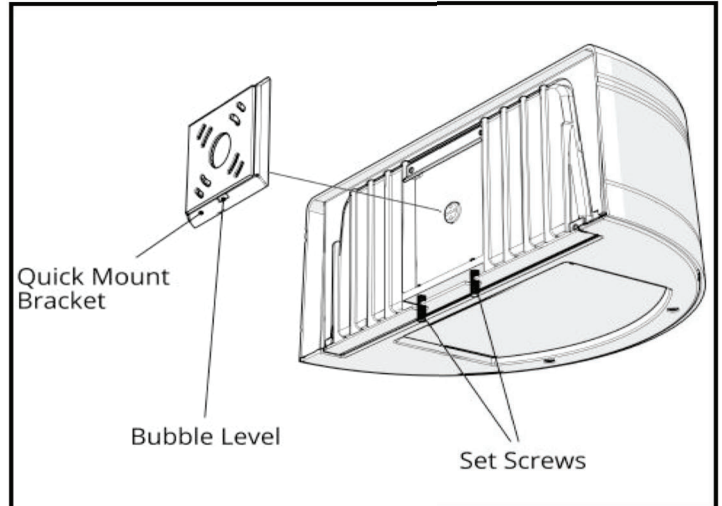
### Tools Required:

- Hex Key Set
- Wire Strippers
- Wire Cutters

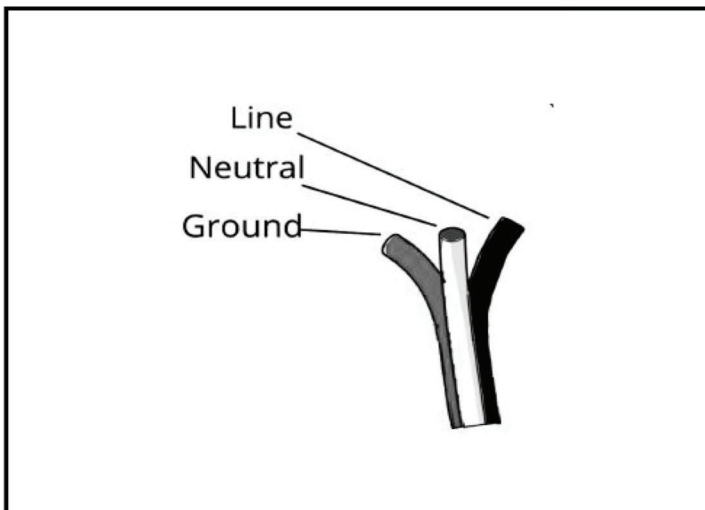
### Standard Installation



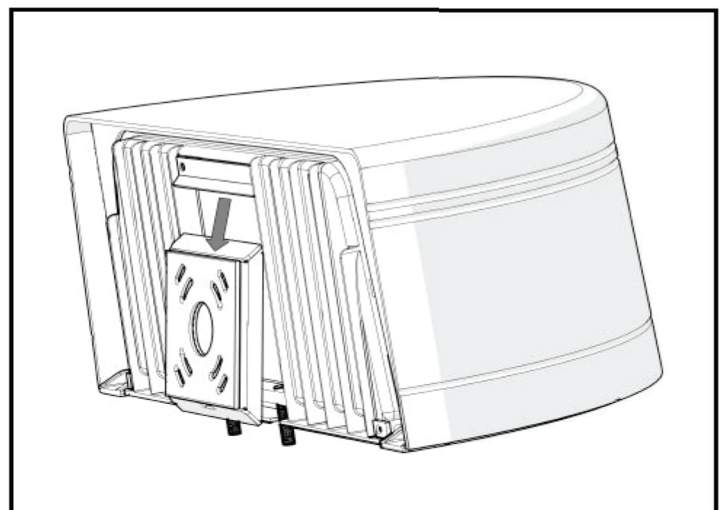
**Step 1:** Loosen the two (2) set screws found on the bottom of the fixture housing.



**Step 2:** Remove the quick mount bracket from the fixture and attach it to the junction box with the appropriate hardware (not included).



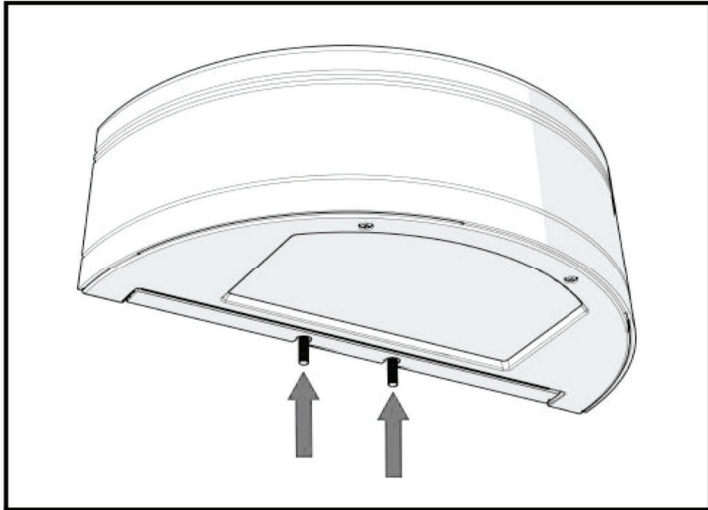
**Step 3:** Make the wiring connections according to the wiring diagram on Page 4. Push excess wire into the junction box.



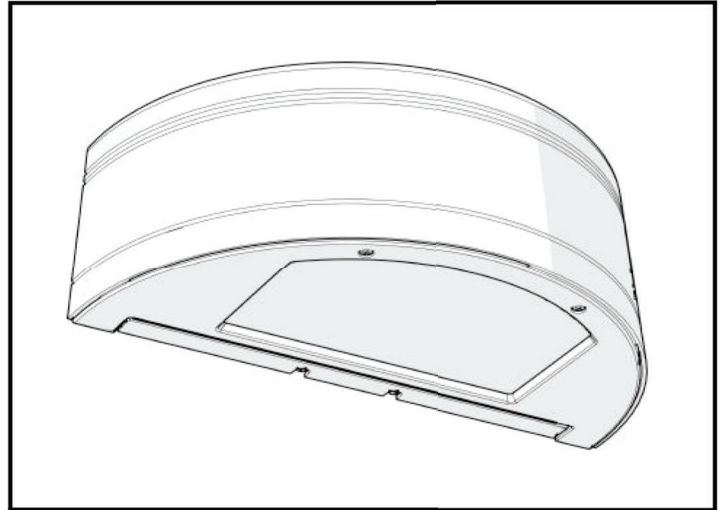
**Step 4:** Lift the fixture and tilt slightly toward the quick mount bracket. Hook the fixture housing onto the quick mount bracket as shown. Take care not to pinch any wires.

# LED Wall Light

## Installation Guide



**Step 5:** Tighten the two (2) set screws to secure the fixture housing to the quick mount bracket.



**Step 6:** Restore power and check that the fixture is functioning properly.

## Electrical Wiring Diagram

