

Raptor WS

LED Lighting Fixture

SAVE THESE INSTRUCTIONS



BEFORE YOU BEGIN

Read and follow all safety instructions

WARNING

RISK OF FIRE, EXPLOSION AND ELECTRIC SHOCK

- This product should be installed, inspected, and maintained by a qualified electrician only, in accordance with the NEC (National Electric Code) and all local codes.
- Turn off electrical power before inspection, installation or removal.
- Use only UL (or other NRTL) approved wire for input/output connections. Minimum size 18 AWG or 14 AWG for continuous runs.
- Make sure LEDs and drivers are cool to touch when performing maintenance. Make sure the supply voltage is the same as the rated voltage of the luminaire.
- Do not install in a hazardous atmosphere, except where the ambient temperature does not exceed the rated operating temperature of the fixture.
- Keep tightly closed when in operation



Prepare Electrical Wiring



Electrical Requirements

- The LED driver must be supplied with the voltage specified on the product label and connected to an individual, properly grounded branch circuit protected by a 20 Ampere circuit breaker. Use min. 75°C supply.



Grounding Instructions

- The grounding and bonding of the overall system shall be done in accordance with NEC Article 600 and local codes

Raptor WS LED Area Light

Installation Guide

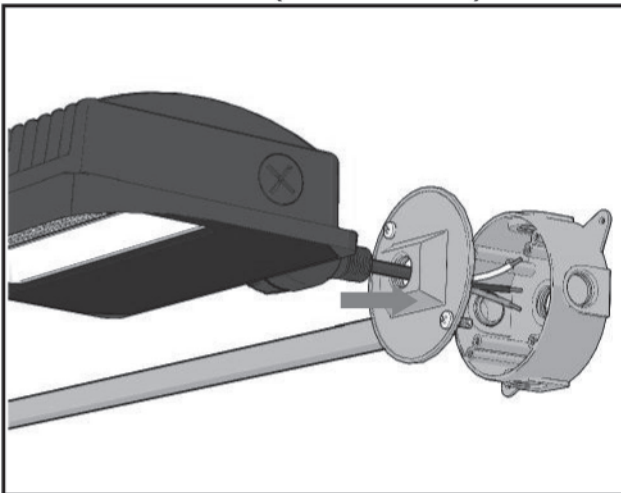
Before starting:

- Ensure that the supply power is shut off.
- Unpack the fixture and ensure that there are no damaged or missing parts.

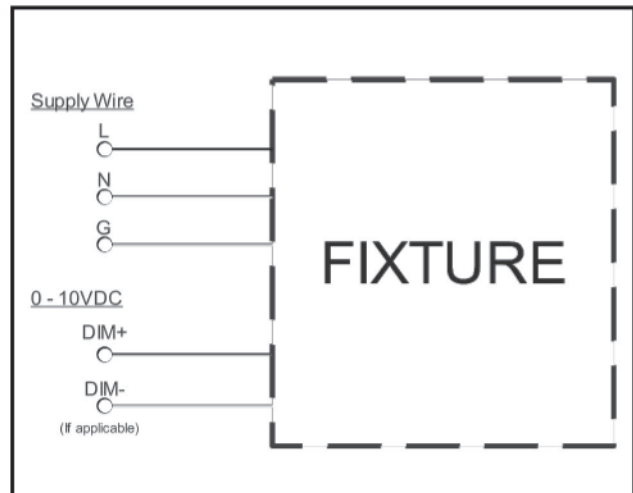
Tools Required:

- Hex Key Set
- Wire Strippers
- Wire Cutters
- Phillips screwdriver

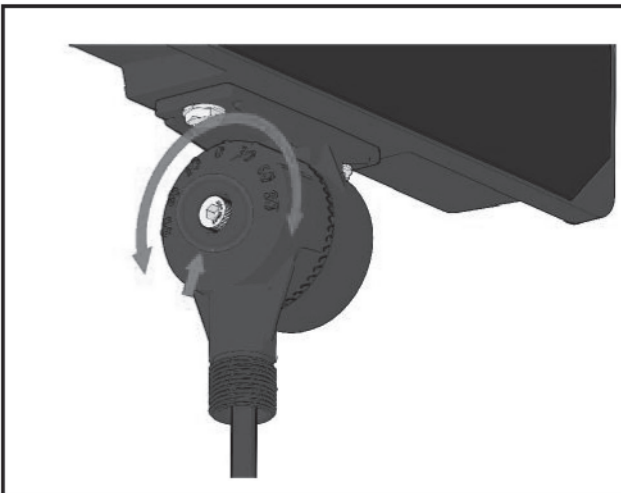
Standard Installation (Knuckle Mount)



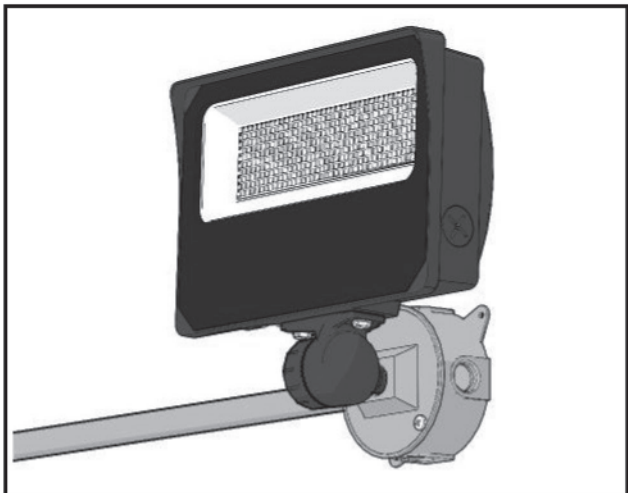
Step 1: Feed the power cord into the junction box or conduit. If j-box mounted, insert the threaded portion of the knuckle into the desired knock-out on the junction box.



Step 2: Make the wiring connections according to the diagram on Page 6. If dimming is not required, make sure the dimming leads are capped.



Step 3: To aim the fixture, use a hex key to loosen the machine screw. Move the fixture head to the appropriate position and tighten the screw to lock it in position.



Step 4: Restore power and check that the fixture is working properly.

Raptor WS LED Area Light

Installation Guide

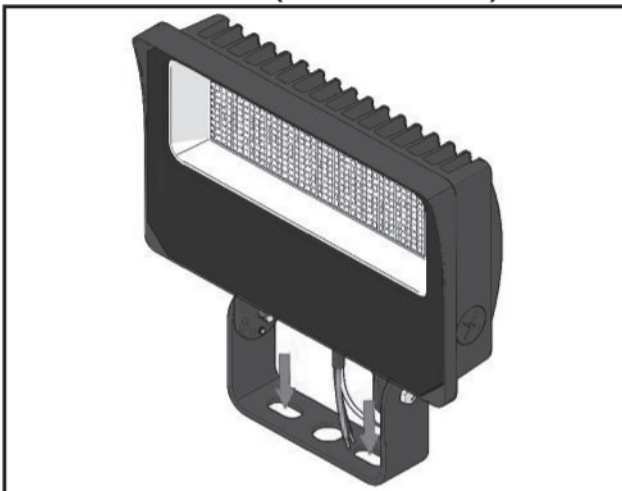
Before starting:

- Ensure that the supply power is shut off.
- Unpack the fixture and ensure that there are no damaged or missing parts.

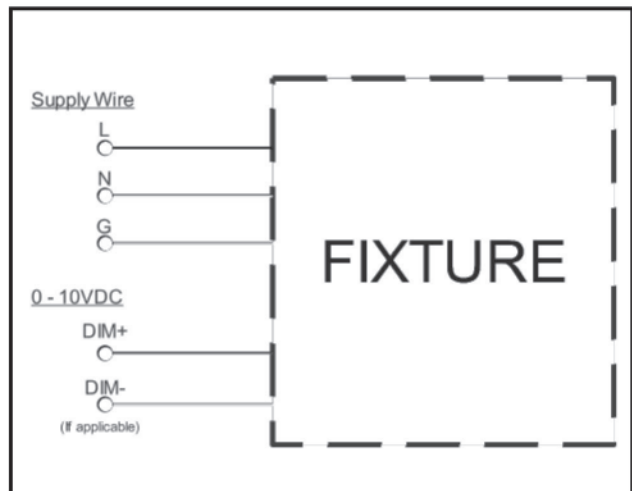
Tools Required:

- Wire Strippers
- Wire Cutters
- Phillips screwdriver

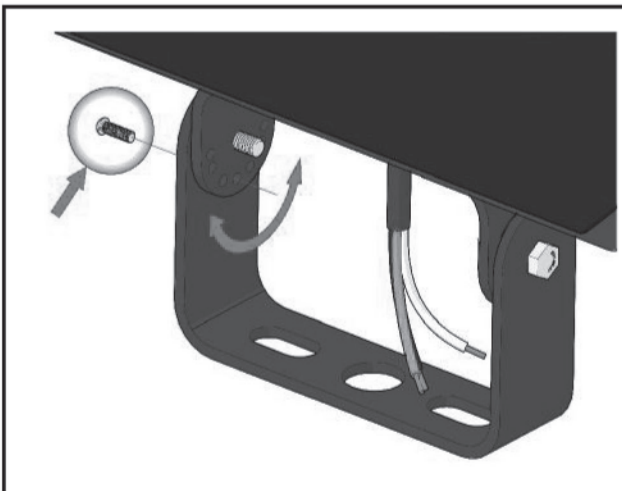
Standard Installation (Trunnion Mount)



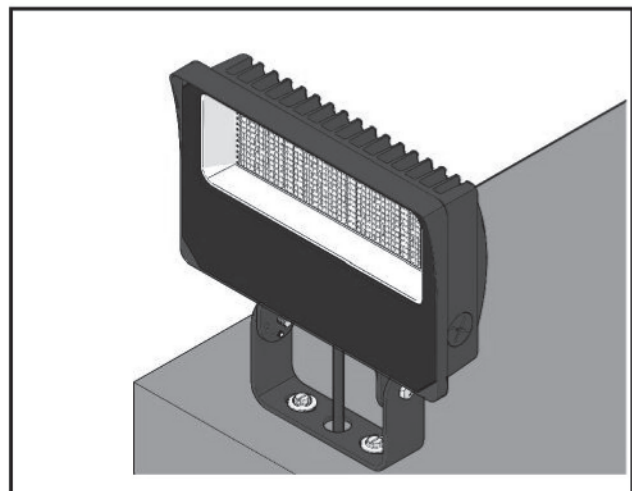
Step 1: Mount the fixture to the desired surface using the appropriate hardware (provided by others). Feed the power cable to a junction box or other wiring compartment.



Step 2: Make the wiring connections according to the diagram on Page 6. If dimming is not required, make sure the dimming leads are capped.



Step 3: To aim the fixture, use a screwdriver to loosen the machine screw. Move the fixture head to the appropriate position and tighten the screw in one of the threaded slots to lock it in position.



Step 4: Restore power and check that the fixture is working properly.

Raptor WS LED Area Light

Installation Guide

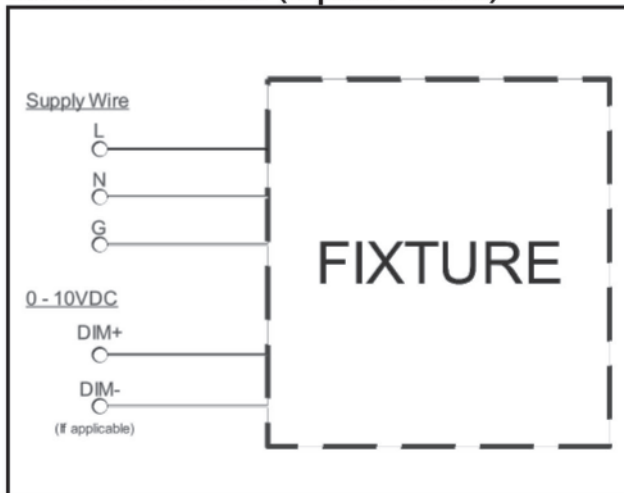
Before starting:

- Ensure that the supply power is shut off.
- Unpack the fixture and ensure that there are no damaged or missing parts.

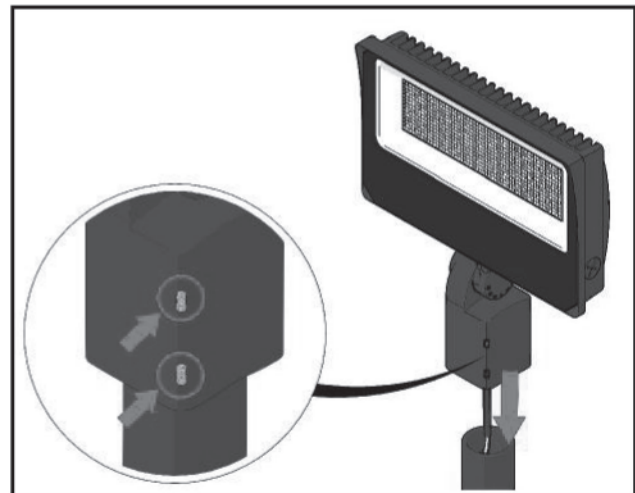
Tools Required:

- Hex Key Set Wire
- Strippers Wire
- Cutters
- Phillips Screwdriver

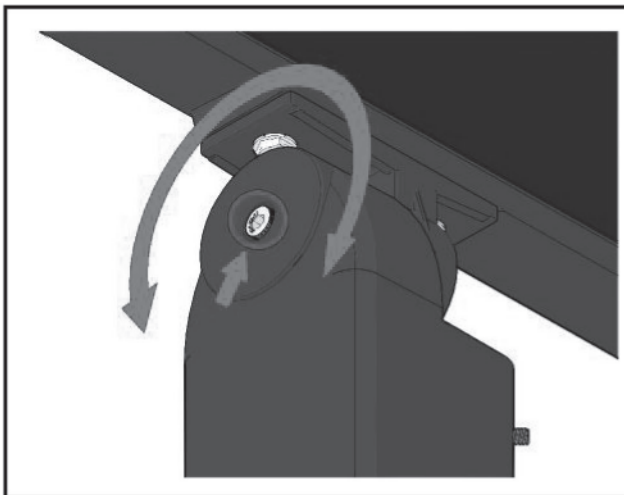
Standard Installation (Slipfitter Mount)



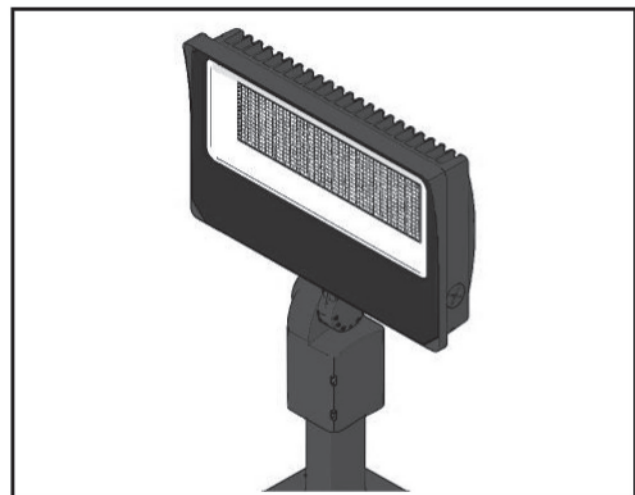
Step 1: Make the wiring connections according to the diagram on Page 6. If dimming is not required, make sure the dimming leads are capped.



Step 2: Slide the slipfitter onto the tenon or pole taking care to ensure that no wires are pinched. Tighten the set screws securely to lock the slipfitter onto the tenon or pole.



Step 3: To aim the fixture, use a hex key to loosen the machine screw on the slipfitter. Move the fixture head to the appropriate position and tighten the screw to lock it in position.

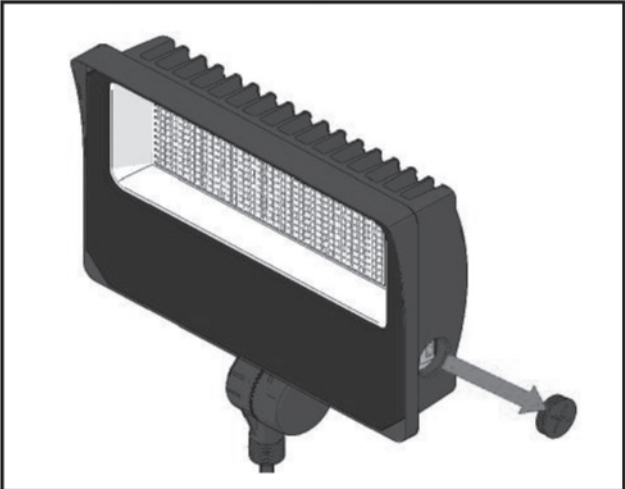


Step 4: Restore power and check that the fixture is working properly.

Raptor WS LED Area Light

Installation Guide

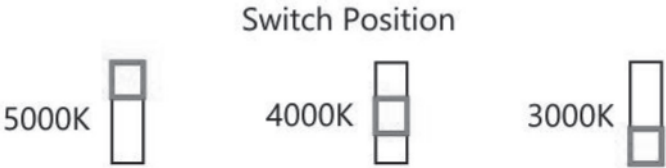
Accessing the CCT/Wattage Selector



Step 1: Remove the conduit plug as shown and set to the desired wattage/CCT.
NOTE: Replace the conduit plug securely to avoid water entry into the fixture.

Tunable Settings

For CCT tuning, adjust the three (3) position slide switch for desired CCT:



For Wattage tuning, adjust the three (3) position slide switch for desired wattage:



Raptor WS

LED Area Light

Installation Guide

Electrical Wiring Diagram

