

# Raptor LS

## LED Lighting Fixture

SAVE THESE INSTRUCTIONS



### BEFORE YOU BEGIN

Read and follow all safety instructions

### WARNING

#### RISK OF FIRE, EXPLOSION AND ELECTRIC SHOCK

- This product should be installed, inspected, and maintained by a qualified electrician only, in accordance with the NEC (National Electric Code) and all local codes.
- Turn off electrical power before inspection, installation or removal.
- Use only UL (or other NRTL) approved wire for input/output connections. Minimum size 18 AWG or 14 AWG for continuous runs.
- Make sure LEDs and drivers are cool to touch when performing maintenance. Make sure the supply voltage is the same as the rated voltage of the luminaire.
- Do not install in a hazardous atmosphere, except where the ambient temperature does not exceed the rated operating temperature of the fixture.
- Keep tightly closed when in operation



### Prepare Electrical Wiring



#### Electrical Requirements

- The LED driver must be supplied with the voltage specified on the product label and connected to an individual, properly grounded branch circuit protected by a 20 Ampere circuit breaker. Use min. 75°C supply.



#### Grounding Instructions

- The grounding and bonding of the overall system shall be done in accordance with NEC Article 600 and local codes

# Raptor LS LED Flood Light

## Installation Guide

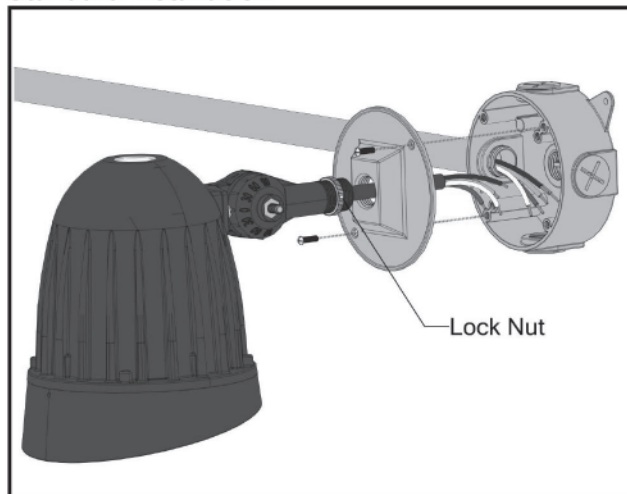
### Before starting:

- Ensure that the supply power is shut off.
- Unpack the fixture and ensure that there are no damaged or missing parts.

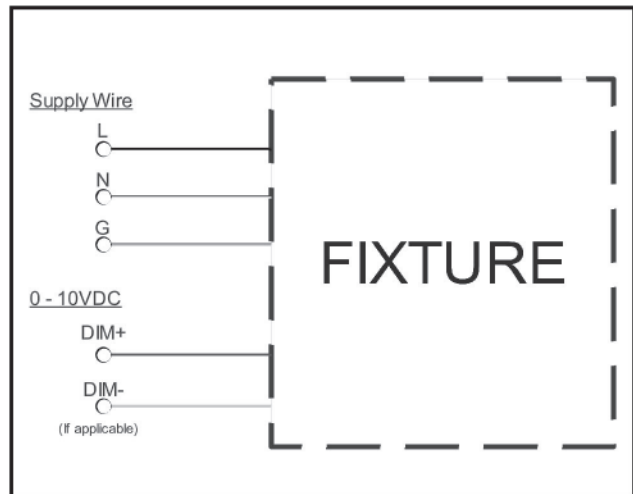
### Tools Required:

- Wire Strippers
- Wire Cutters
- Phillips screwdriver

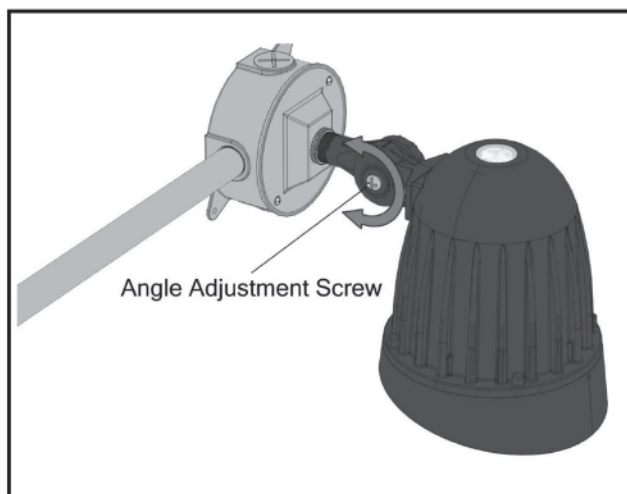
### Standard Installation



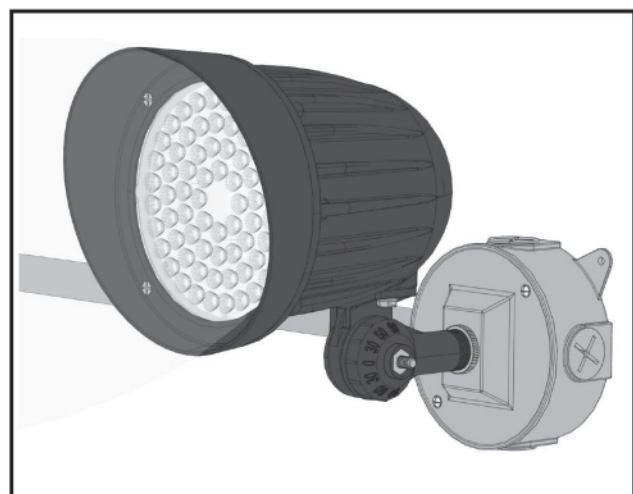
**Step 1:** Feed the power cord into the junction box or conduit. If j-box mounted, insert the threaded portion of the knuckle into the threaded hole of the cover. Secure the fixture with the Lock Nut.



**Step 2:** Make the wiring connections according to the diagram on Page 4. If dimming is not required, make sure the dimming leads are capped.



**Step 3:** To aim the fixture, use a screwdriver to loosen the Angle Adjustment Screw. Move the fixture head to the appropriate position and tighten the screw to lock it in position.



**Step 4:** Restore power and check that the fixture is working properly.

# Raptor LS LED Flood Light

## Installation Guide

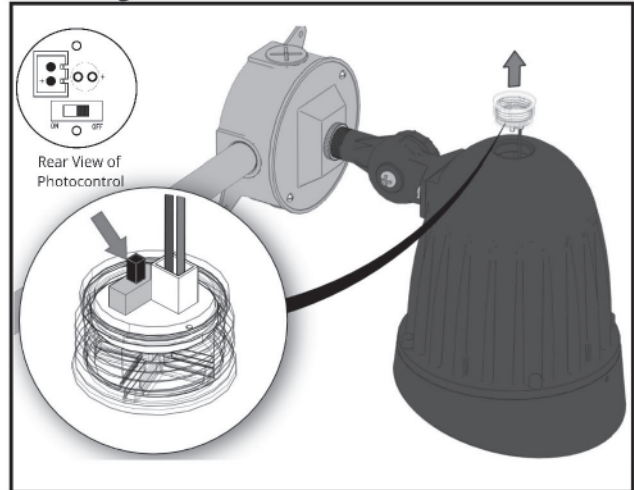
### Accessing the CCT/Wattage Selector



**Step 1:** Remove the conduit plug as shown and set to the desired wattage/CCT.

**NOTE:** Replace the conduit plug securely to avoid water entry into the fixture.

### Accessing the Photocontrol

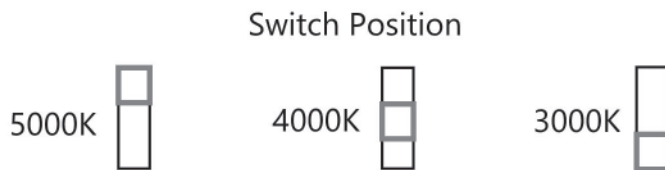


**Step 1:** Unscrew the photocontrol and carefully adjust the switch on the back side to enable or disable the photocontrol. Take extreme care not to pull, pinch, or disconnect the photocontrol wires.

**NOTE:** Replace the conduit plug securely to avoid water entry into the fixture.

## Tunable Settings

For CCT tuning, adjust the three (3) position slide switch for desired CCT:



For Wattage tuning, adjust the three (3) position slide switch for desired wattage:



# Raptor LS LED Flood Light

Installation Guide

## Electrical Wiring Diagram

