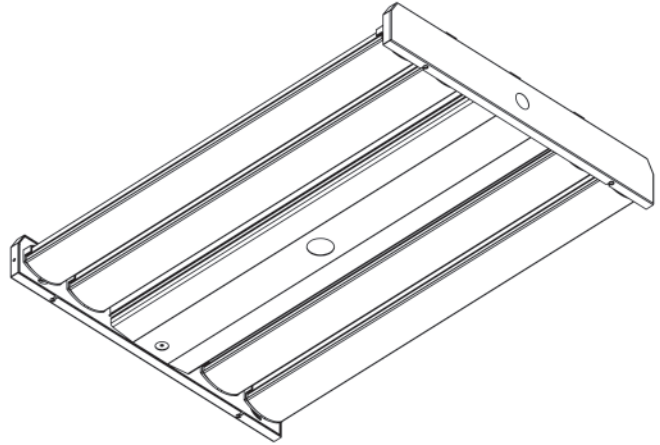
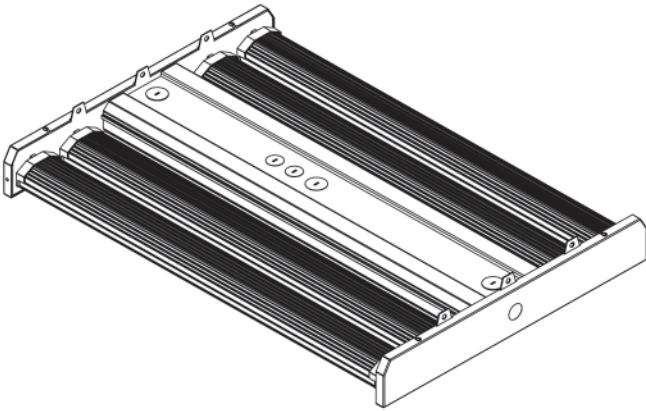


INSTALLATION INSTRUCTIONS

RAPTOR CL



WARNING

THIS PRODUCT CONTAINS CHEMICALS KNOWN TO THE STATE OF CALIFORNIA TO CAUSE CANCER, BIRTH DEFECTS, AND / OR OTHER REPRODUCTIVE HARM. THOROUGHLY WASH HANDS AFTER INSTALLING, HANDLING, CLEANING OR OTHERWISE TOUCHING THIS PRODUCT.

SAFETY PRECAUTIONS

Before installation, disconnect the power by turning off the circuit breaker. Turning the power off by using the light switch is not sufficient to prevent electrical shock. This high bay should not be used in areas of limited ventilation or areas exceeding the rated high-ambient temperature. All work should be performed by a qualified electrician.

APPLICATION

This uniquely designed LED high bay incorporates easy to install features, including tabs for hook and chain mounting as well as a wiring compartment that can be accessed without tools. The access door is hinged and can be open and closed by pulling on or applying pressure to the stop side of the access door. The outer light bars can be rotated outwards to provide a wider light distribution.

DRIVER VOLTAGE

Driver – The LED driver is designed to operate in the range of 100-277 V ~ 50/60 Hz. Electrical data referred to on product label.

ACCESSORIES

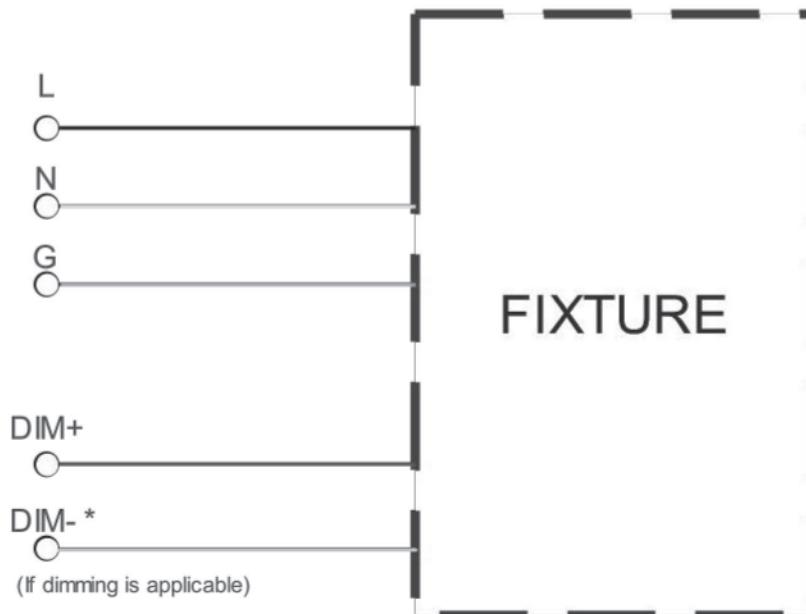
Mounting – V-hook available for mounting with chain.

TROUBLESHOOTING CHECKLIST: If the luminaire does not work.

- Check your power source.
- Check electrical connections.

INSTALLATION

1. Ensure the power is turned off at the circuit breaker.
2. Prepare the mounting locations. Mounting hardware spaced approximately 2ft apart. Conduit spacing is approximately 22.75" on-center for 2 ft. fixture pendant mounting. (Figure 1)
3. If mounting the fixture with hook and chain, attach each chain or cable (provided by others) to the included hooks (One chain/cable per hook). Attach the hooks to the fixture using the holes of the mounting tabs located on each end of the fixture. (Figure 3 and 4)
4. With a flat-head screwdriver, remove any one of the 1/2" trade size KOs located on top of the fixture for connecting the incoming supply wire. Take care not to damage any wires in the LED driver compartment. (Figure 5)
5. If pendant mounting the fixture, remove the two outer 3/4" trade size KOs on top of the fixture using a flat-head screwdriver. Take care not to damage any wires in the LED driver compartment. (Figure 5)
6. Mount the fixture in the desired location using the hooks and chains/cables installed in Step 3, or with two 3/4" trade size pendant stems (provided by others). Open the bottom access door of the LED driver compartment to finish installing the fittings (provided by others) for the pendant stems. (Figure 6)
7. With the bottom access door of the LED driver compartment open, locate the LED driver input leads (Black, White, Green), and dimming leads if available (Pink/Grey, Purple).
8. Run the incoming supply wire with either a rigid conduit or flexible conduit to the 1/2" trade size KO removed in Step 4. Use the appropriate conduit connector (provided by others) to secure the conduit to the fixture. Alternately, a cord can be attached to the housing using a 1/2" NPT cord grip.
9. Make the wiring connections according to the diagram below.
10. Close the access door of the LED driver compartment.
12. Restore power and ensure that the fixture is working properly. If not, refer to the troubleshooting checklist above.



*may be grey depending on manufacture date