

Product Description

The Commerce series is a vaporproof fixture with a choice of mounting configurations designed to replace HID lighting systems up to 175w MH or HPS. This vapor resistant fixture can withstand extreme physical and environmental abuse and is ideal for retail centers, industrial parks, schools and universities, public transit and airports, office buildings and medical facilities. Mounting heights of 8 to 14 feet can be achieved.

> Quick Ship - In Stock, Ready to Ship

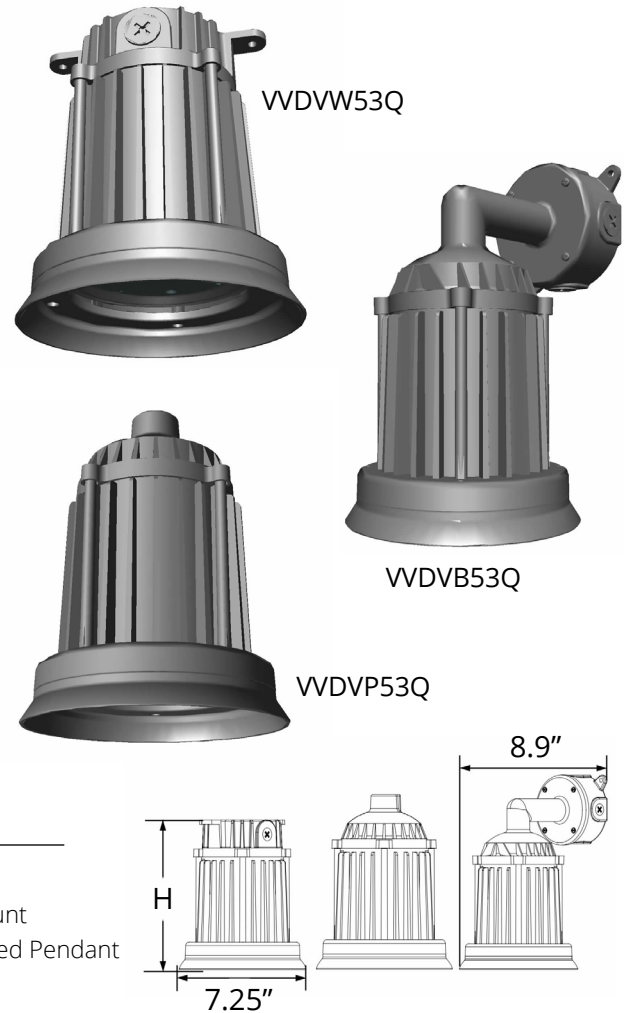
| | | |
|--------------|--|-------|
| Project: | | Type: |
| Location: | | |
| Prepared By: | | Date: |
| Comments: | | |

Performance Summary

- Samsung LEDs with high efficacy >145 Lm/W
- USA assembled product with quick warranty support
- Standard design with modern components
- Patented heat dissipation design for optimum efficiency
- National listing lab tested to IES standards with Type V optic
- High lumen maintenance exceeds DOE requirements
- Photometric optic built over each LED for enhanced light distribution
- Solid State with high-shock and vibration resistance
- Aluminum LED boards with copper tracings for best thermal management
- LED array manufactured using a state-of-the-art SMT machine
- Flat clear tempered glass lens
- A360 extruded ingot die-cast housing with 3/4" NPS threaded mounts
- DuPont architectural powdercoat finish with many RAL options
- Chromate conversion coating for long lasting appearance
- Multiple mounting options for pendant, electrical box or wall mount
- Includes weatherproof box with coin plugs
- Rust resistant stainless steel hardware with durable nickel-plating
- High CRI - RA>82 enhances original colors
- 1-10V dimmable driver with surge protection
- Fast turn on with no warm up or cold start issues
- Contains no mercury, lead, infrared or UV radiation and cool to the touch
- Operating temperature: -40 to 50 degrees celsius
- Samsung chip platform with completed 6,000 hour LM-80 test
- 187,000 hour LED life @ L70 tested at 25 degrees celsius
- Certifications: CE, RoHS, CSA - IP66 sealed LED compartment
- 10 year limited warranty

COMMERCE VP

Vaporproof with Multiple Mounting Options
LED Dimmable Luminaire



Models:

- WDV53Q: 23W - 3385 Lm - 116mA - B:2, U:2, G:0 - 8.5" (H) - Electrical Box Mount
- WDV53Q: 23W - 3385 Lm - 116mA - B:2, U:2, G:0 - 9.25" (H) - 3/4" NPS Threaded Pendant
- WDV53Q: 23W - 3385 Lm - 116mA - B:2, U:2, G:0 - 12" (H) - Wall Mount

Ordering Information:

Part Number:

*Adder Applies

Ordering Example: WDV53Q-50-S5C-V27-PT-ND

| Family | CCT | Optic | Voltage | Finish | Dimming | Accessories* |
|------------------------------|--------------------------|--|----------------|---------------------------------------|--------------------------------|---------------|
| WDV53Q WDVP53Q WDVW53Q | 40 - 4000K 50 - 5000K | S5C - Type V 115 Degree Clear Flat Glass Lens | V27 - 120-277V | PT - Platinum RAL9006 CS - Custom* | ND - Non Dim DM - 1-10V Dim | See Next Page |



Vivid Leds, Inc.
PO BOX 9
Sellersburg, IN 47172
800-974-3570
www.vividleds.us

Dimensions, specifications, and product pictures are subject to change without notice.

The product on this page is a manufactured to order, non-stocking item. This product cannot be returned for refund or credit.

D17

Revised 4.28.23

Accessories:

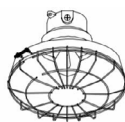
- SF - Single Fuse
- DF - Double Fuse
- VS30A - Angled Aluminum Shade, Platinum Powdercoat Finish. 8 $\frac{3}{4}$ " H by 11 $\frac{3}{4}$ " Diameter.
- VS30S - Straight Aluminum Shade, Platinum Powdercoat Finish. 5 $\frac{1}{2}$ " H by 16" Diameter. Not for use with WDVW53Q.
- WGGS - Stainless Steel Wire Guard for Straight Shade
- WGGA - Stainless Steel Wire Guard for Angled Shade
- SPR - Round Swivel Pendant Mount for Angled or Straight Ceilings, Fits $\frac{3}{4}$ " Conduit, Includes Reducer Bushing (to $\frac{1}{2}$ ") & Set Screw
- SPS - Square Swivel Pendant Mount for Angled or Straight Ceilings, Fits $\frac{3}{4}$ " Conduit; Includes Reducer Bushing (to $\frac{1}{2}$ ") & Set Screw
- PRB - Swivel Mount Reducer Bushing 3/4" to 1/2"
- PRB1 - Diecast Round Electrical Box with Five 1/2" Coin Plugs
- RC1 - Backplate with 1/2" Coin Plugs
- PRB3 - Diecast Round Electrical Box with Five 3/4" Coin Plugs



V30A



V30S



WGGS



WGGA



PRB



PRB1



RC1



PRB3



SPR



SPS