

Installation Instructions

Solar LED Street Light

User Instructions

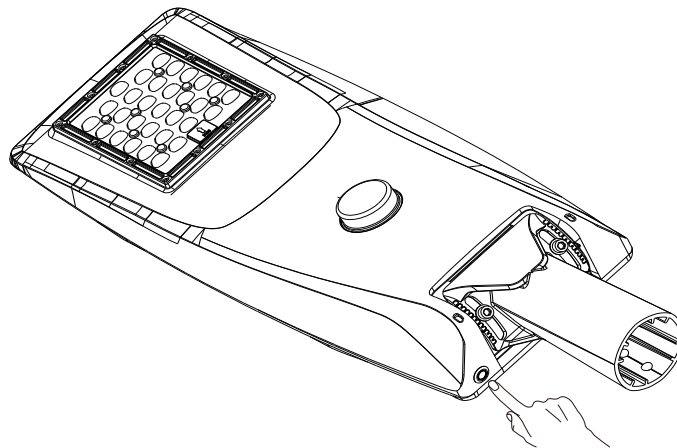
1. When open the package please assure that the light is perfect without any damage. If any damage is found, do not install the product.
2. The ambient temperature for storage is -25°C - $+60^{\circ}\text{C}$. The ambient temperature for working is -20°C - $+50^{\circ}\text{C}$.
3. There are pc fittings for the light. It should be handled with care.

Installation Instruction

It is suggested that the LED street lights should be installed by specialized persons according to the instructions.

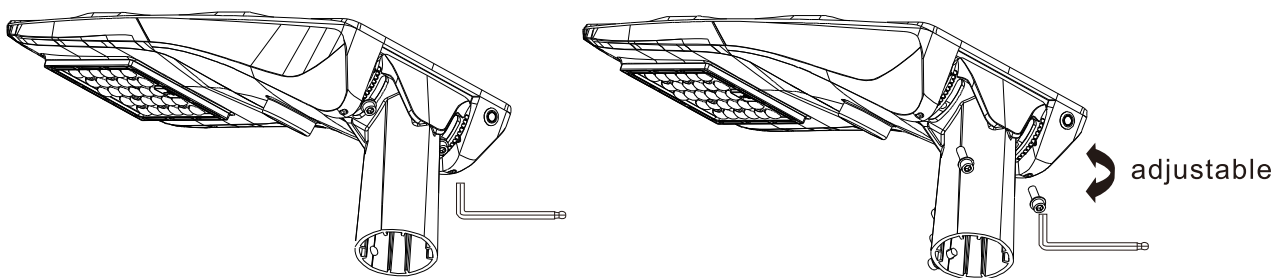
Step 1: Turn on the light

Press the button "on/off" with the hand can turn on the solar led street light



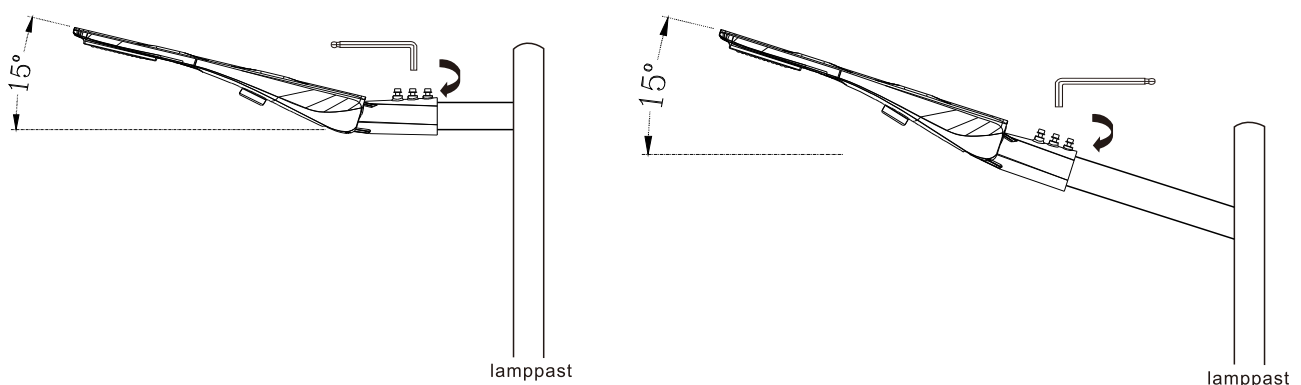
Step 2: Adjust the light angle

Torsion loose the two hexagonal screws of M8 on the street lights bracket ,adjust the lamp angle as customer requested and then screw the hexagonal screws of M8 on the street lights bracket with wrench until Tightened.

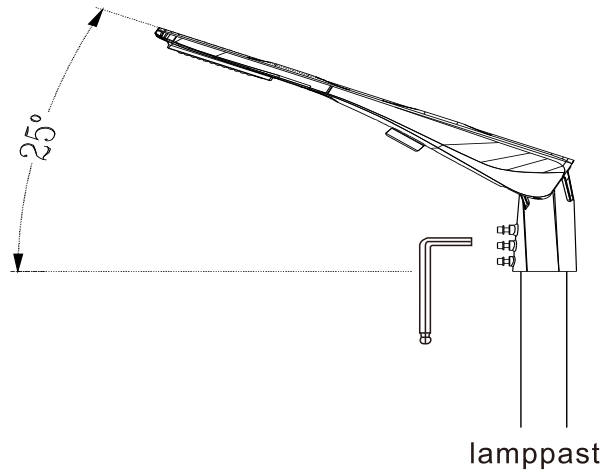
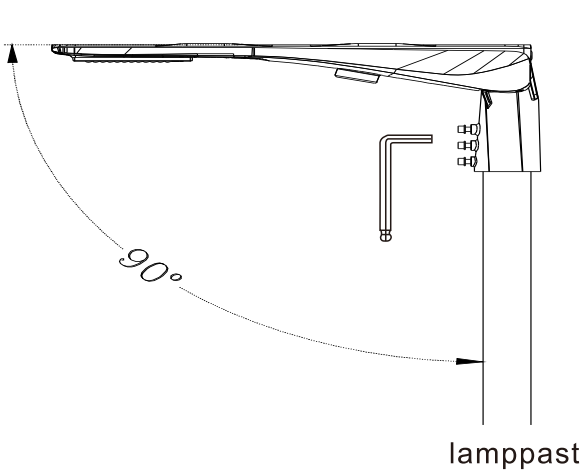


Step 3: Fasten the light to the pole by the bolt

The pole diameter is $60\pm 2\text{mm}$ and the length of connective part is 100-105mm. Torsion loose the three hexagonal screws of M8 on the top of bracket ,fasten the light to the pole and then screw the hexagonal screws of M8 with wrench until Tightened.

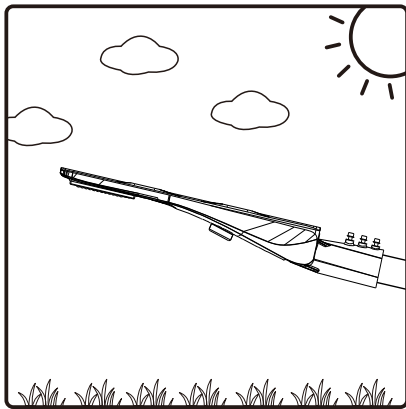


Side entry mounted

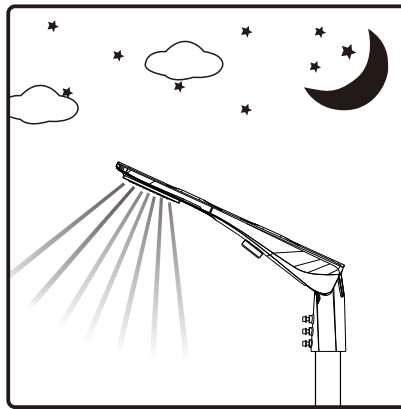


Top mounted

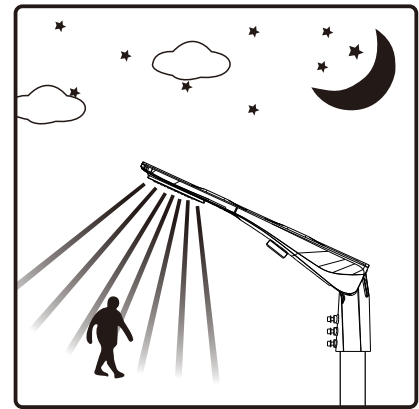
Step 4: You can see the indicator light flashes inside the microwave sensor, the lights will turn on at night. Then the installation is done.



Solar panel charges in sunny daytime. Light works at night with the power stored by battery

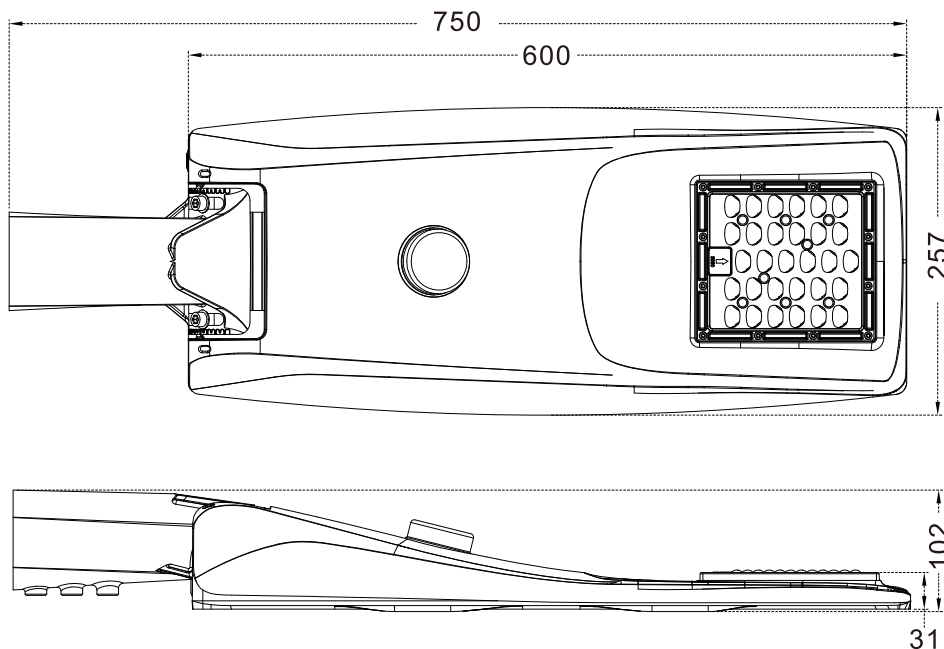


When people leaves 8-10M away, after set times, the light will dim to set brightness



When people comes 8-10M near, the light will turn on with full brightness

Dimension of Solar street light



UNIT:MM