

## Product Description

The Array RW series roadway luminaire provides uncompromising optical performance and outstanding versatility for a wide variety of area and roadway applications. Our customer focused features include single latch tool-less entry, industry leading surge protection options and superior lumen maintenance and performance, all in an economical design. It is ideal for illuminating walkways, parking lots and roadways.

> Quick Ship - In Stock, Ready to Ship

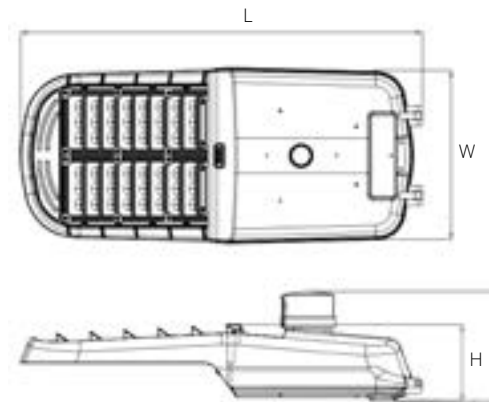
Project:		Type:
Location:		
Prepared By:		Date:
Comments:		

## Performance Summary

- Osram 5050 LEDs with high efficacy >130 Lm/W
- In stock and ships from several U.S. locations for quick delivery
- Meets dark sky requirements
- Low profile, 3G vibration rated compact design minimizes wind loads
- Patented heat dissipation design for optimum efficiency
- National listing lab tested to IES standards in a Type III distribution
- High lumen maintenance exceeds DOE requirements
- Photometric optic built over each LED for enhanced light distribution
- Solid State with high-shock and vibration resistance
- Heavy duty A360 die-cast aluminum housing with removable door
- Housing is completely sealed against moisture and environmental contaminants
- Chromate conversion coating for long lasting appearance
- Streamlined housing, no rough edges or scraping, with 304 stainless steel hardware
- LED drivers mount to housing for optimal heat sinking and prolonged life
- Aluminum LED boards with copper tracings for best thermal management
- LED array manufactured using a state-of-the-art SMT machine
- Light engine is available in a 4000K (70 CRI) configuration
- Optics are precisely designed to shape the distribution, maximizing efficiency
- Chromate conversion coating for long lasting appearance
- Rust resistant stainless steel hardware with durable nickel-plating
- 3-pin photocell included
- 1-10V dimmable driver with 10kV surge protection included
- Fast turn on with no warm up or cold start issues
- 1/9th micro color binning enables tight color control
- Hot color targeting ensures color is within ANSI bin compliance
- Contains no mercury, lead or UV radiation and cool to the touch
- Operating temperature: -40 to 40 degrees C
- 100,000 hour LED life based on LM-80 results and TM-21 calculation
- Certifications: CE, RoHS, UL, cUL, DLC IP65 outdoor rated
- 10 year limited warranty

## ARRAY RW

Multiple Applications  
LED Dimmable Luminaire



## Models:

- VDMRL0270: 70W - 9900 Lm - 9.5 Lbs - EPA 0.46 - 20.8" (L) x 8.1" (W) x 4.3" (H)
- VDMRL2105: 105W - 14600 Lm - 10 Lbs - EPA 0.46 - 20.8" (L) x 8.1" (W) x 4.3" (H)

<b>Ordering Information:</b>				Part Number:	
Ordering Example: VDMRL0270-40-T3-V27-BZ-PL					
Family	CCT	Optic	Voltage	Mounting	Finish
VDMRL0270 VDMRL2105	40 - 4000K	T3 - Type III	V27 - 120-277V	PL - Pole	GR - Silver Gray RAL7045



Vivid Leds, Inc.  
PO BOX 9  
Sellersburg, IN 47172  
330-809-0431  
www.vividleds.us

Dimensions, specifications, and product pictures are subject to change without notice.

The product on this page is a manufactured to order, non-stocking item. This product cannot be returned for refund or credit.

A4

Revised 8.9.23

