

Product Description

The Commerce Decor is available in Type III and Type V distributions designed to replace HID lighting systems up to 250w MH or HPS. The fixture mounts to a pole top tenon. Typical area lighting applications include parking areas, walkways, and street lighting applications. Mounting heights of 12 to 20 feet can be used based on light level and uniformity requirements

> Quick Ship - In Stock, Ready to Ship

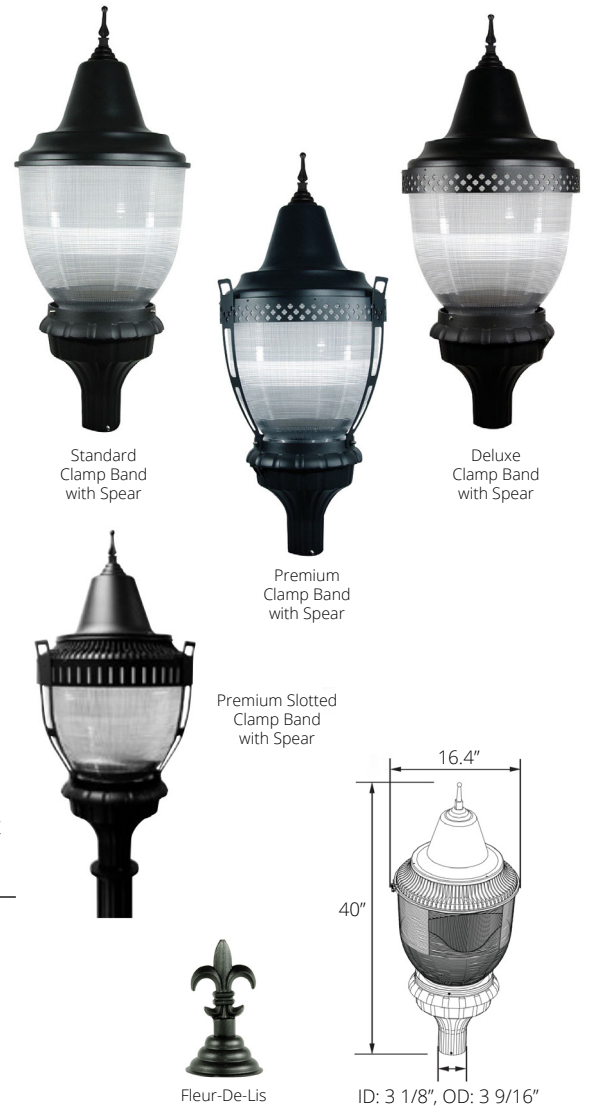
Project:		Type:
Location:		
Prepared By:		Date:
Comments:		

Performance Summary

- Energy-efficient Samsung 561B LEDs with high efficacy >80 Lm/W
- USA assembled product with quick warranty support
- In stock and ships from several U.S. locations for quick delivery
- Better visibility than HID with crisp, 4000K or 5000K white light
- National listing lab tested to IES standards with NEMA optics
- High lumen maintenance exceeds DOE requirements
- LexaLite Lindy prismatic acrylic globes, Type III or Type V, with 9" neck
- Solid State with high-shock and vibration resistance
- Accommodates 2 7/8" OD x 3" tenon poles
- IP67 aluminum LED boards with copper tracings for best thermal management
- LED array manufactured using a state-of-the-art SMT machine
- A360 extruded ingot sand cast aluminum housing
- DuPont architectural powdercoat black finish with custom RAL options
- Decorative spun aluminum cap with powdercoat finish
- Finials have spun aluminum base with cast aluminum Fleur-De-Lis or Spear
- Stamped and formed heavy duty aluminum clamp bands with powdercoat finish
- Standard clamp band, deluxe with decoration, or premium with decoration
- Separate ballast compartment for best heat management
- Integral heat-dissipating fins for thermal management
- Chromate conversion coating for long lasting appearance
- Rust resistant black oxide mounting hardware with durable nickel-plating
- High CRI - RA>80 enhances original colors
- Electronic 0-10V dimmable driver 120-277V or 347-480V, 50/60Hz
- Contains no mercury, lead, infrared or UV radiation and cool to the touch
- Operating temperature: -40 to 50 degrees celsius
- 100,000 hour LED life @ L70 tested at 25 degrees celsius
- Certifications: CE, RoHS, CSA, ANSI/UL 1598, 8750 - IP66 sealed LED compartment
- 10 year limited warranty

COMMERCE DECOR

Historical Cast Aluminum Acorn Post Top and Pole Options
LED Dimmable Luminaire



Models:

- WDPBQ37: 37W - 2842 Lm - Single Head (70-150W HID Equivalent)
- WDPBQ65: 65W - 4992 Lm - Single Head (150-250W HID Equivalent)
- WDPBQ84: 84W - 6605 Lm - Single Head (150-250W HID Equivalent)
- WDPBQ2: 168W - 13210 Lm - Dual Head (Dual Head Pole Arm Required)

Ordering Information:

Part Number:

*Adder Applies

**Adder Applies. Extended Lead Time Applies.

Ordering Example: WDPBQ2-4-S3-BK-ST-SP

Family	CCT	Optic	Housing Finish	Clamp Band	Finial	Accessories*
WDPBQ37 WDPBQ65 WDPBQ84 WDPBQ2	30 - 3000K 40 - 4000K 50 - 5000K	S3 - Type III Very Short S5 - Type V Medium	BK - Black CS - Custom**	ST - Standard DX - Deluxe* PR - Premium* SL - Slotted Premium*	SP - Spear FL - Fleur-De-Lis	DH - Dual Head Pole Arm BS - Two Piece Base WM - Wall Mount Bracket P16 - Retrofit Tenon Adapter P22 - 20' Straight Round Pole PC - Custom Pole Height



Vivid Leds, Inc.
PO BOX 9
Sellersburg, IN 47172
330-809-0431
www.vividleds.us

Dimensions, specifications, and product pictures are subject to change without notice.

A21

Accessories:

<p>DH - Dual Head Decorative Pole Arm</p> <ul style="list-style-type: none"> Aluminum with Black Powdercoat Finish Fits 3" Tenon, Includes Stainless Steel Hardware Accepts 3" Diameter Fitters 13" High x 43" Overall Width 		
<p>BS - Two-Piece Decorative Wrap-Around Die-Cast Base</p> <ul style="list-style-type: none"> Die-Cast Aluminum Base 24" High x 12" Diameter Black Powdercoat Finish Includes Stainless Steel Hardware 		
<p>WM - Single Decorative Wall Mount Bracket</p> <ul style="list-style-type: none"> Aluminum with Black Powdercoat Finish Includes Stainless Steel Hardware Accepts 3" Diameter Fitters 10" High x 15" Overall Length 		
<p>P16 - Retrofit Tenon Adapter</p> <ul style="list-style-type: none"> Die Cast with Powdercoat Finish Hardware Included Converts a 2 3/8" x 4" Pole Tenon to a 2 7/8" x 3" Tenon 		
<p>P22 - Straight Round Aluminum Pole</p> <ul style="list-style-type: none"> 4" O.D. Smooth pole up to 20' Anchor bolts are Included and sized based on selected pole size Pole includes a two-piece formed aluminum base cover Custom length pole height cutting is available 7.5" to 8.5" bolt circle, 8" base size, 3/4" base thickness 		<p>See next page for further pole Information</p>

Photometric Data:

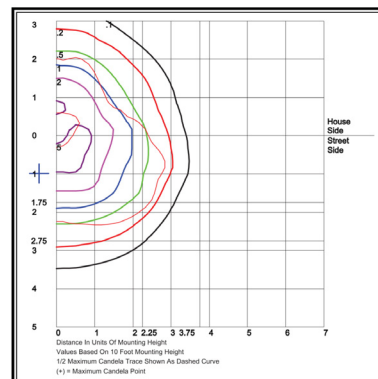
S3 - Type III Very Short



Vivid Leds, Inc.
 PO BOX 9
 Sellersburg, IN 47172
 330-809-0431
 www.vividleds.us

Dimensions, specifications, and product pictures are subject to change without notice.

The product on this page is a manufactured to order, non-stocking item. This product cannot be returned for refund or credit.



A21

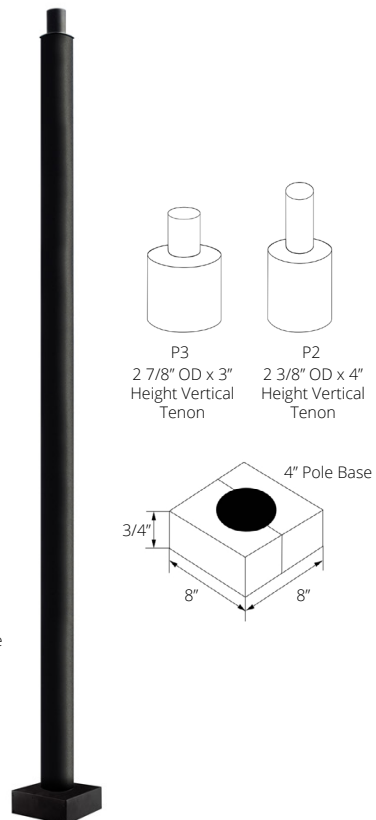
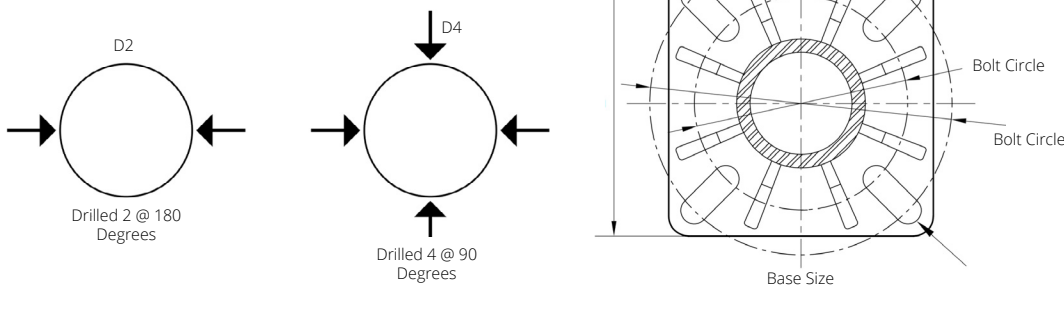
Revised 2.20.23

Straight Round Aluminum Pole Product Description

The Commerce Decor Series Straight Round Aluminum Poles are built from extruded aluminum tube with high-strength die cast aluminum base with tenon mounts for post top luminaires. Mounting heights up to 20'.

Performance Summary

- USA assembled product with quick warranty support
- Pole shaft is uniform wall thickness and one-piece extruded 6063 aluminum alloy with T6 temper
- Anchor base is 356 alloy aluminum die cast and is heat treated to a T6 temper after welding
- Wall thickness: .196"
- Polycarbonate top cover and hole plugs for unused drilling locations
- 4 inch round, 7.5" to 8.5" bolt circle, 8" base size, 3/4" base thickness
- Textured architectural back polyester powdercoat finish
- Baked to ensure maximum paint adhesion, hardness and durability
- Anchor bolts are Included and sized based on selected pole size
- Die cast aluminum reinforced cast iron hand-hole and cover with ground screw
- Drill templates available for a variety of luminaire mounting options
- Includes 2 7/8" OD x 3" Height Vertical Tenon
- Pole includes a two-piece formed aluminum base cover
- Base cover is easily assembled and fitted over pole base
- Custom length pole height cutting is available
- Paint matched pole accessories are available



Wind Loading and Dimensional Data:

Pole Description		80 MPH		90 MPH		100 MPH		110 MPH		120 MPH		130 MPH		140 MPH		150 MPH		Structure Weight (LBS)
Shaft Size & Wall Thickness	Mounting Height	Max EPA (SQ FT)	Max Weight (LBS)	Max EPA (SQ FT)	Max Weight (LBS)	Max EPA (SQ FT)	Max Weight (LBS)	Max EPA (SQ FT)	Max Weight (LBS)	Max EPA (SQ FT)	Max Weight (LBS)	Max EPA (SQ FT)	Max Weight (LBS)	Max EPA (SQ FT)	Max Weight (LBS)	Max EPA (SQ FT)	Max Weight (LBS)	
4" Round, 5mm Wall	10' - 0"	16.3	175	12.0	100	9.4	100	7.6	100	6.3	100	5.3	100	4.5	100	3.9	100	43
	12' - 0"	12.1	185	9.6	100	7.4	100	5.9	100	4.9	100	4.1	100	3.5	100	2.9	100	52
	14' - 0"	9.7	190	7.7	100	5.8	100	4.6	100	3.7	100	3.1	100	2.6	100	2.2	100	60
	16' - 0"	7.5	155	6.0	100	4.4	100	3.3	100	2.7	100	2.2	100	1.8	100	1.5	100	69
	18' - 0"	5.7	125	4.6	100	3.1	100	2.3	100	1.8	100	1.4	100	1.1	100	0.9	100	78
20' - 0"	4.3	95	3.3	100	2.1	100	1.4	100	1.0	100	0.7	100	0.5	100	-	-	86	

NOTES:

- Maximum EPA (Effective Projected Area) and weight values are based on AASHTO 2013 (90-150MPH) and AASHTO 2008 (80MPH)
- Consult factory on loading criteria for pole top mounted luminaires and/or brackets
- Variations from sizes above are available upon inquiry at the factory
- Satisfactory performance of poles is dependent upon the pole properly attached to a supporting foundation of adequate design
- Structure weight is a nominal value which includes the pole shaft and base plate only
- Pole accessories are field installed



Vivid Leds, Inc.
PO BOX 9
Sellersburg, IN 47172
330-809-0431
www.vividleds.us

Dimensions, specifications, and product pictures are subject to change without notice.