

## Product Description

The Twilight series is the leader in the industry for an economical color changing luminaire. Sticking to the basics by using industry standard DMX protocol for control, to clever wiring, the Twilight series offers a basic solution that applies to even the most difficult applications. With quality throughout, from the LEDs to the die-cast housing, the Twilight shines above the rest.

> Special Order - Minimum 30 Day Lead Time

Project:		Type:
Location:		
Prepared By:		Date:
Comments:		

## Performance Summary

- Edison LEDs with RGBW efficacy >35 Lm/W and white >80 Lm/W\*\*
- High powered 3W LEDs for long light throw
- Solid state with high shock and vibration resistance
- Each red, green & blue LED has a 256 color depth
- Precise optics with photometric lens built over each LED
- Ground mounted attached base secures with four bolts
- Easy installation and aiming with multiple detachable rotating brackets
- Static color or white option dimming and on/off control requires DMX
- RGBW color changing modes by STICK DE3 DMX 512 controller
- Fixture modes: 1) Independant, 2) DMX, 3) Master/Slave
- LED screen with push button control to change programs or setup DMX
- Built-in self-control with pre-programmed lighting effects
- Programs include solid colors, flashing, fading, color jumping
- High vertical illuminance for large space lighting
- Extruded 6063 aluminum & iron silver housing with low heat generation
- Durable polycarbonate clear cover with water resistant protection
- Natural convection cooling method
- Light lens is 30% brighter than ordinary lens
- 5' power cord whip & 1.5' in and out IP68 DMX cables included
- Contains no mercury or lead and cool to the touch
- No infrared or UV radiation
- Operating temperature: -20 to 40 degrees celsius
- IP65 rated, applicable for indoor or outdoor applications
- 100,000 hour LED life
- Certifications: CE, RoHS, ETL
- 1 Year Warranty – 3 Year Optional

## TWILIGHT Z8

Static Color, Static White, RGB, RGBW Color Changing  
LED DMX Wash, Stripe, Spot or Graze

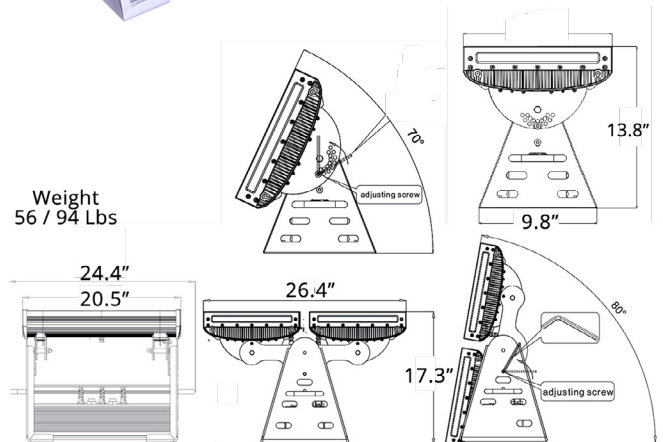


VWDZ8216  
VWDZ8144



VWDZ8108

Weight  
56 / 94 Lbs



## Models:

- VWDZ8108: RGB - 108 LEDs - 215W - 56 Lbs - 15, 30, 45 degree
- VWDZ8072: RGBW - 72 LEDs - 230W - 56 Lbs - 10, 20, 30, 45, 15x55 degree
- VWDZ8216: RGB - 216 LEDs - 430W - 94 Lbs - 15, 30, 45 degree
- VWDZ8144: RGBW - 144 LEDs - 430W - 94 Lbs - 10, 20, 30, 45, 15x55 degree

## Ordering Information:

*Adder Applies				Ordering Example: VWD78108-RGB-10-UNV-SG-BS		
Family	CCT	Optic	Voltage	Finish	Mounting	Accessories*
VWDZ8108 VWDZ8072 VWDZ8216 VWDZ8144	RGB - RGB Color Changing RGBW1 - RGBW 3000K RGBW2 - RGBW 4300K RGBW3 - RGBW 6000K R - Static Red - 625nm G - Static Green - 525nm B - Static Blue - 460nm Y - Static Yellow/Amber - 590nm	10 - 10 Degree 15 - 15 Degree 20 - 20 Degree 30 - 30 Degree 45 - 45 Degree 55 - 15x55 Degree	120 - 120 VAC	SG - Silver Gray CS - Custom*	BS - Ground Base	GP - Field Installed Grounded Plug  DMX Cables DMX Controllers Wireless DMX Signal Amplifiers



Vivid Leds, Inc.  
PO BOX 9  
Sellersburg, IN 47172  
330-809-0431  
www.vividleds.us

Dimensions, specifications, and product pictures are subject to change without notice.

\*\*80 Lm/W is based on 6000K white CCT. Static color or RGB LEDs > 35 Lm/W.

The product on this page is a manufactured to order, non-stocking item. This product cannot be returned for refund or credit.

J14

Revised 4.2.24