

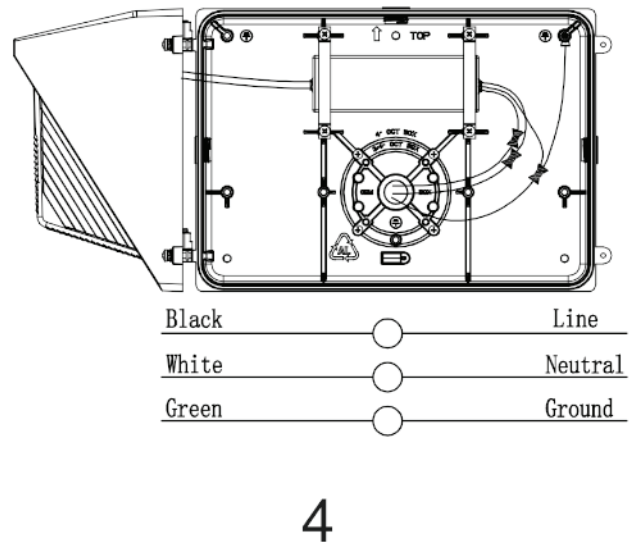
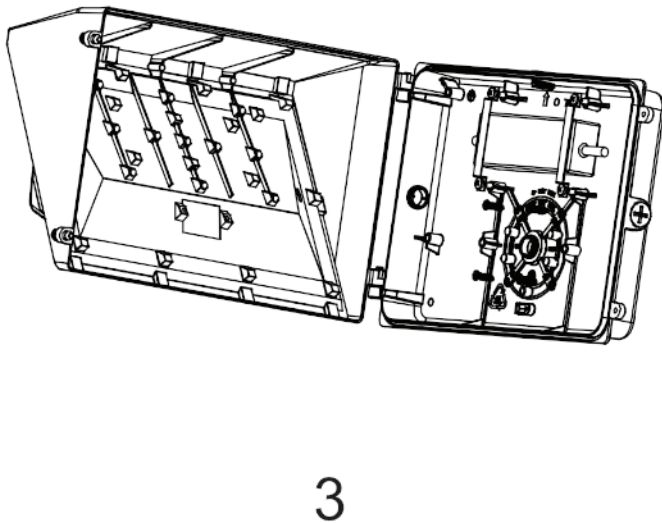
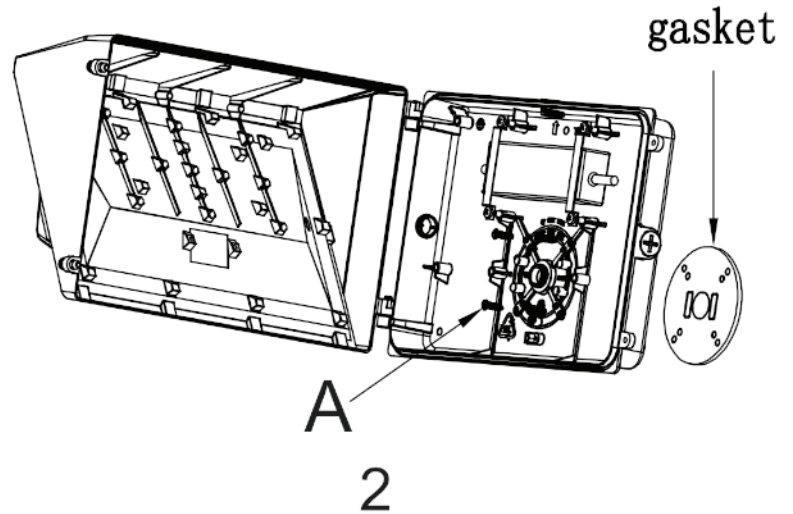
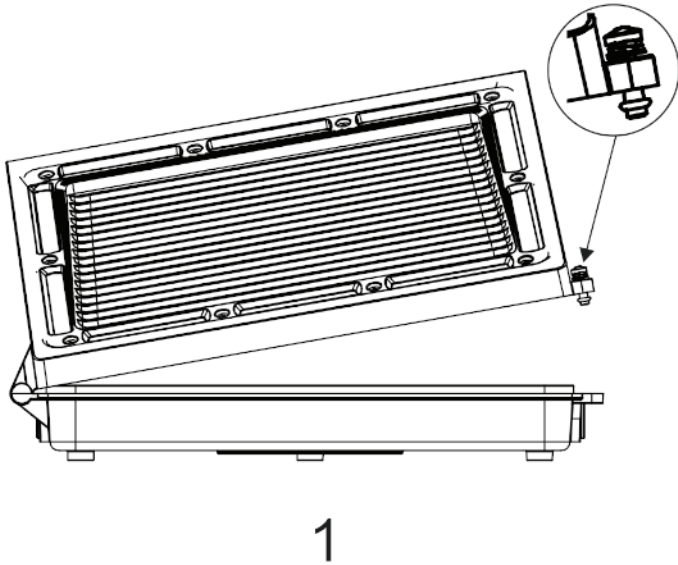
MOUNTING WAYS

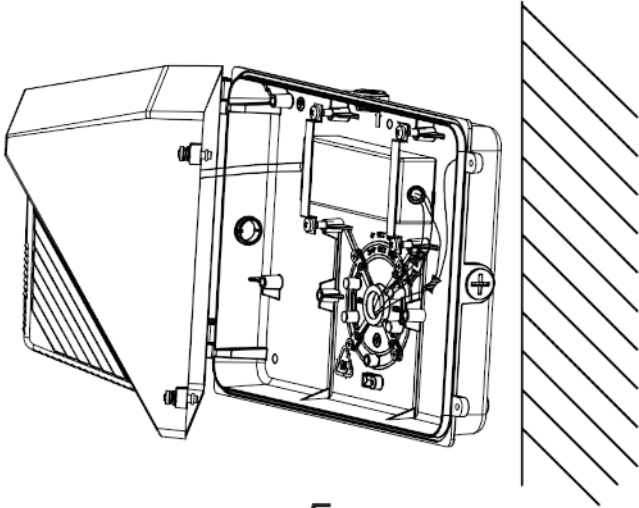
⚠ WARNING

1. To avoid electric shock, disconnect power at source prior to installation.
2. The installation should be performed by qualified electricians or lighting technicians.
3. Before conducting any installation, maintenance, or removal, disable all power to the luminaires and wait until the fixture cool down.
4. Do not touch the fixture while it is in service.
5. If there is any problem with the fixture, DO turn off power and DO NOT attempt repair unless you are a qualified technician or the customer service member.

Junction box Mounting

1. Loosen screws and remove the front lens set carefully from the back plate.
2. Drill appropriate knockouts (A) for wiring, the fixture supports standard 3 1/4" and 4" Junction box.
3. Attach the back plate on the wall, use the supplied gaskets for a weather tight seal.
4. Finish wiring (Black for Line, White for Neutral and Green wire for Ground).
5. Replace the lens on the hinges, make connections and close the lens set then tighten the screws. (Next page)





5

Conduit Mounting

1. Loosen screws and remove the front lens set carefully from the back plate. (See step 1 Page 4).
2. Remove 1/2" plug from where you intend to feed conduit.
3. Diling out the holes (B) to secure it on the wall with choosing proper screws.(See the picture A below)
4. Finish wiring (Black for line, White for neutral and Green for ground). (See step 4 Page 4).
5. Replace the lens set on the hinge an finish connection, Close the lens set and tighten the screws to fasten the lens set to the back plate.(See the picture B below)

