

## Product Description

The Focus Class 1, Division 2 Hazardous Location series wall and ceiling mount luminaire is available with clear or opal lenses, and open, vertical half or horizontal half door frames designed to replace HID lighting systems from 70w to 175w HPS. Typical lighting applications include industrial facilities, oil, gas, painting facilities, and auto service facilities. Mounting heights of 12 to 30 feet are typical.

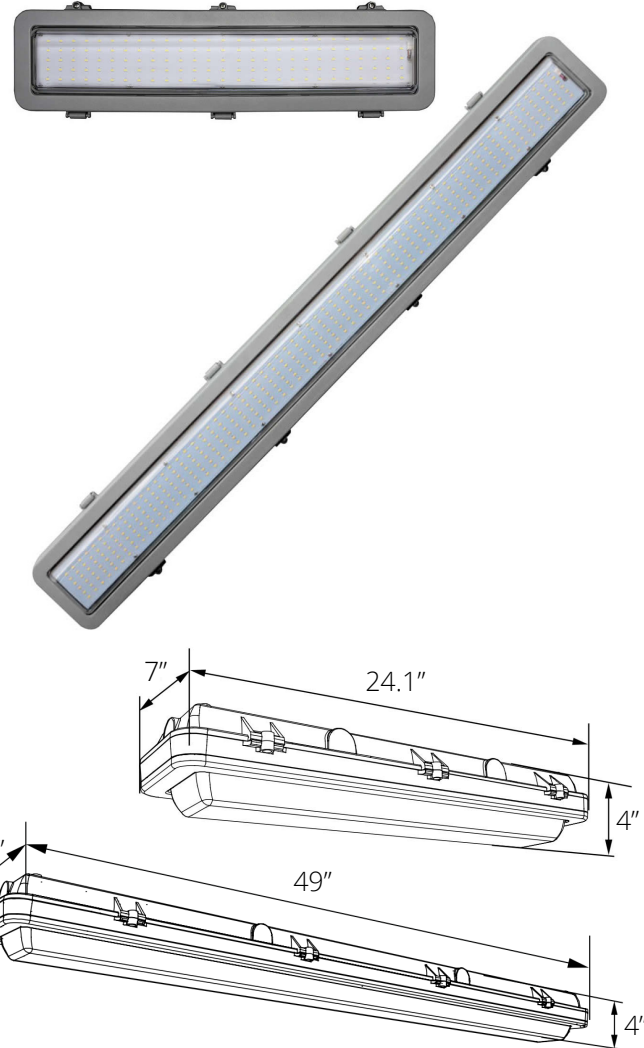
> Quick Ship - In Stock, Ready to Ship

Project:		Type:
Location:		
Prepared By:		Date:
Comments:		

## Performance Summary

- Samsung 561B LEDs with high efficacy >145 Lm/W
- USA assembled product with quick warranty support
- Listed for hazardous locations per UL844 for Class 1, Div 2, Groups A, B, C, D
- Standard design with modern components, excellent choice for retrofitting
- Patented heat dissipation design for optimum efficiency - T4 temperature rating
- National listing lab tested to IES standards with Type V wide 110 degree optic
- High lumen maintenance exceeds DOE requirements
- Solid State with high-shock and vibration resistance
- Aluminum LED boards with copper tracings for best thermal management
- LED array manufactured using a state-of-the-art SMT machine
- Clear or opal diffused vandal-resistant polycarbonate lens
- A360 extruded ingot die-cast housing with top frame
- 1/2" coin plugs can be tapped for conduit wiring entrance
- DuPont textured architectural powdercoat gray finish
- Chromate conversion coating for long lasting appearance
- Custom housing colors available upon request
- Mounts directly to a wall, conduit pendant or ceiling mount surface
- Adjustable stainless steel bracket and yoke available
- Rust resistant stainless steel hardware with durable nickel-plating
- High CRI - RA>80 enhances original colors
- 1-10V dimmable driver with surge protection option
- Fast turn on with no warm up or cold start issues
- Contains no mercury, lead, infrared or UV radiation and cool to the touch
- Operating temperature: -25 to 40 degrees celsius
- Samsung chip platform with completed 6,000 hour LM-80 test
- 165,000 hour LED life @ L70 tested at 25 degrees celsius
- Certifications: CE, RoHS, ETL, cETL - IP66 indoor or outdoor rated
- 10 year limited warranty

**FOCUS C1D2 LV2**  
Class 1, Division 2 Hazardous Linear Wall, Pendant or Ceiling Mount  
**LED Dimmable Luminaire**



## Models:

- WDLV2A047: 2' - 47W - 7309 Lm
- WDLV2A066: 2' - 66W - 10294 Lm
- WDLV2Q112: 4' - 112W - 16287 Lm
- WDLV2Q136: 4' - 136W - 19733 Lm

## Ordering Information:

Part Number:

\*Adder Applies

\*\*Adder Applies. Extended Lead Time May Apply.

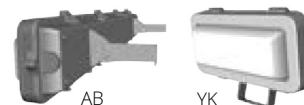
Ordering Example: WDLV2A047-50-S5C-V27-OF-PT-DM

Family	CCT	Optic	Voltage	Frame	Finish	Dimming	Accessories*
WDLV2A047 WDLV2A066 WDLV2Q112 WDLV2Q136	40 - 4000K 50 - 5000K	S5C - Type V Wide Clear S5O - Type V Wide Opal*	V27 - 120-277V V48 - 347-480V*	OF - Open Frame	PT - Platinum CS - Custom**	DM - 1-10V Dim	AB - Stainless Steel Adjustable Bracket YK - Heavy Duty Stainless Steel Yoke



Vivid Leds, Inc.  
PO BOX 9  
Sellersburg, IN 47172  
330-809-0431  
www.vividleds.us

Dimensions, specifications, and product pictures are subject to change without notice.



F4

The product on this page is a manufactured to order, non-stocking item. This product cannot be returned for refund or credit.

Revised 7.28.20