

# LED SPOT LIGHT

## Aurora Spot 4

### INSTRUCTION OF LED SPOT LIGHT VVDSPD12RGBW

This product is mainly used for decorating and highlighting in building frame, garden, etc. It can work in independent mode and DMX mode, which can generate various color changing effects, such as flashing, fading, steady ,seven color jumping synchronously etc. DMX256 class gray degree dimmable, DMX programable (thousands of effects available if many lights are connected together)

#### A. Specification

##### A-1 Structure

Materials of Shell: Aluminum  
 Rotary angle: 180°  
 Input Voltage: 100V~240V AC  
 Protecting Rating: IP65  
 Operating Temperature: -20°C~40°C



SP-R225A-12P-DMX

##### A-2 Model Configuration Table

Model	Size	LED Color	LED Quantity	Power Consumption	Beam Angle	Weight
VVDSPD12RGBW	D225x275mm	RGBW(4in1)	12pcs Power LED/4W	45 WATTS	15°/25°	4.5kg±5%

#### B. Working Mode:

- B-1. Independent Mode: Choose the build-in programs Auto Running.
- B-2. DMX Mode: International standard DMX 512.
- B-3. Master/Slave Mode: Auto online and synchro working.

#### C. Function & Setup

##### C-1. DMX Addressing:

This product has 4 DMX channels, use **"CTR-ADDR-WR"** for addressing, for details please refer to its instruction.  
 \*\*\*Valid DMX address : 001~512

1. DMX Channel instruction-4 Channels available as sheet:

CHANNEL 1		CHANNEL 2		CHANNEL 3		CHANNEL 4	
Data	Function	Data	Function	Data	Function	Data	Function
0~255	Brightness of Red	0~255	Brightness of Green	0~255	Brightness of Blue	0~255	Brightness of White

\*\*\*Enter or quit DMX mode automatically once detecting valid signal!!!

##### C-2. Independent Mode:

Light will be entered into independent mode automatically controller. It will be circled as multicolor changing, single color fading, multicolor fading, multicolor flashing orderly.

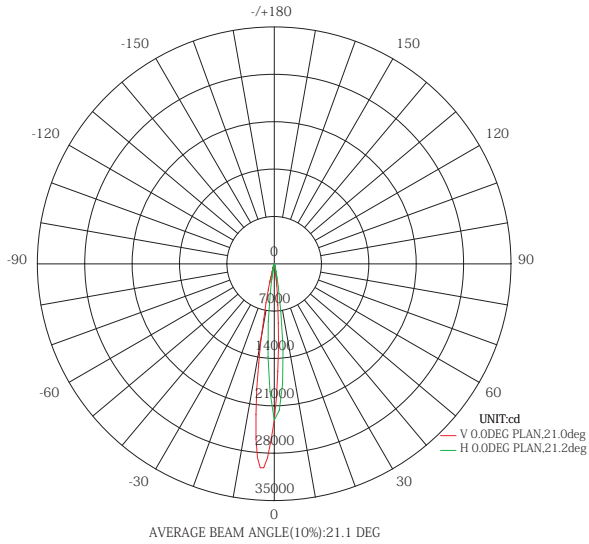
##### C-3. Master/Slave Mode:

Choose any one light as the master for attaining auto online function, the operations are as below: firstly, set the address of master as 001, others set as slave (address can be any one except 001); Change function of master (001) light, then all lights will work synchronously.

# LED SPOT LIGHT

## D.Photometric Parameters

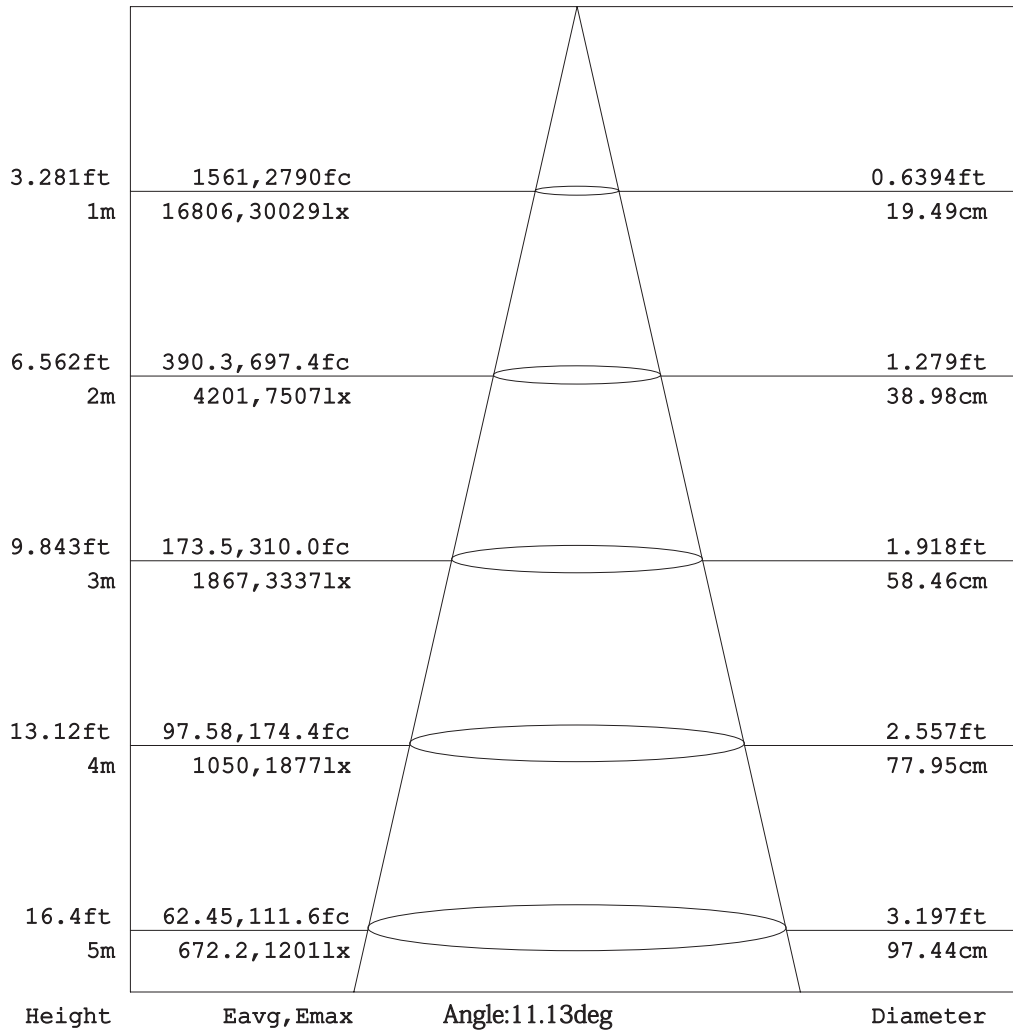
### D-1. Cadela Distribution



### VVDSPD12RGBW

### D-2. Illuminance At A Distance

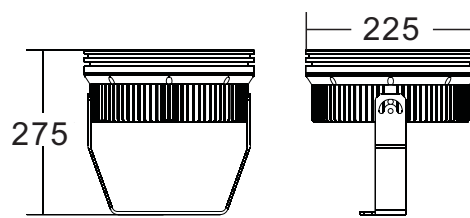
Flux out:583.2 lm



Note:The Curves indicate the illuminated area and the average illumination when the luminaire is at different distance.

# LED SPOT LIGHT

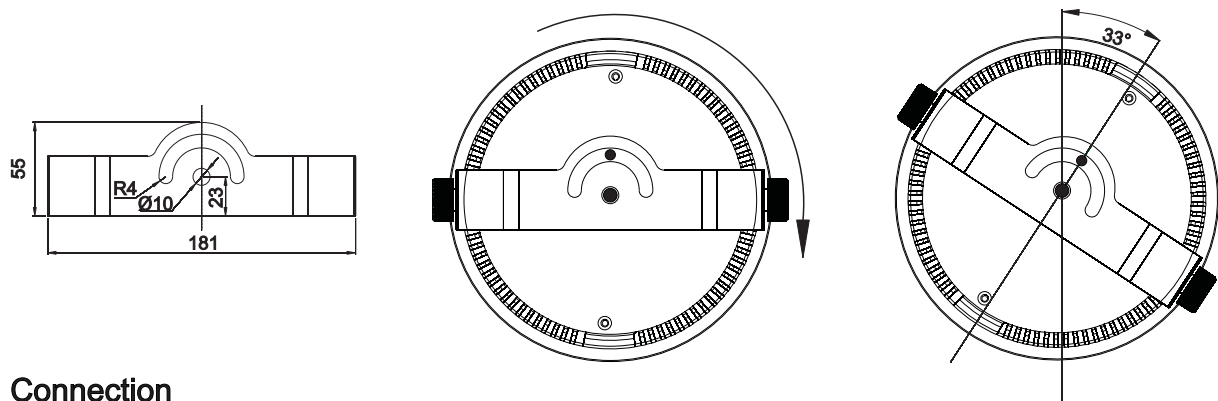
## E. Dimension Drawing:



SP-R225A-DMX-12P

## F. Installation Drawing:

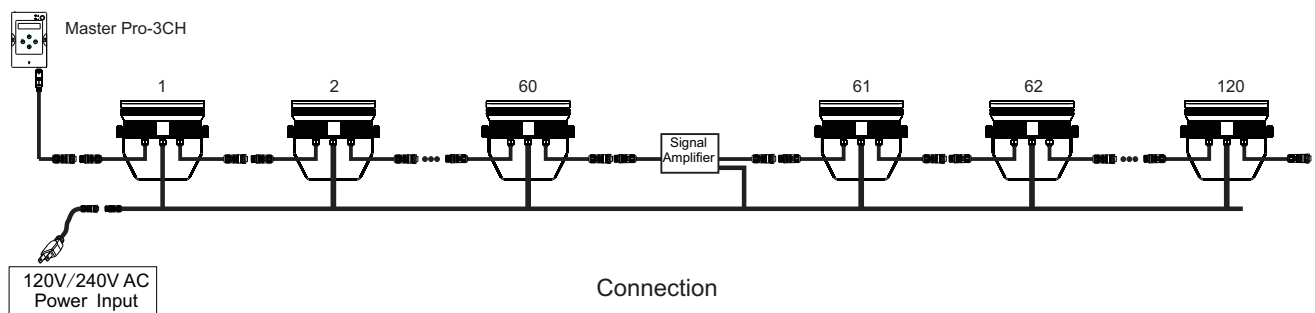
F-1. Fix the brackets's  $\varnothing 10$  installation hole via M8 tapping screw, take  $\varnothing 10$  as a rotating center to regulate the light, then fix the light well on ground via M6 screws in  $\varnothing 8$  installation holes.



## G. Connection

G-1. Signal Max connection is 100M, every 100m or 60pcs need a signal amplifier.

G-2. Controller for option: DMX controller, such as Sunlite, Madrix, 192console, MASTER PRO.



### Caution:

1. Do not plug them into power when the product is still in package;
2. Don't use anything to cover the fixture during application;
3. Don't use this product in close environment;
4. If this product appears to be damaged, do not attempt any repair, please contact your dealer.

### Warning:

- \* Make sure the ground connection well avoid electric shock, due to metal housing.
- \* Don't cut out the updated IP68 connectors, or any failure caused must be born by buyers.

**Note:** The above instruction are subject to update or improved without notice. Pls turn to our staff for further details !  
Thanks for your long term support !



**Do not install the lamp in the lightning activity area.**  
**N'installez pas la lampe dans la zone d'activité de l'éclairage.**