

Product Description

The Alume PT post top LED luminaire has a beautiful low profile design with a die-cast aluminum alloy heatsink, high luminous efficiency of 130 Lm/W, high waterproof class LED driver and thermal management. The Alume PT is ideal in replacing 80-400W Metal Halide with typical energy savings of up to 80%. The Alume PT is a perfect fit for gardens, walkways, parks, and landscape applications.

> Quick Ship - In Stock, Ready to Ship

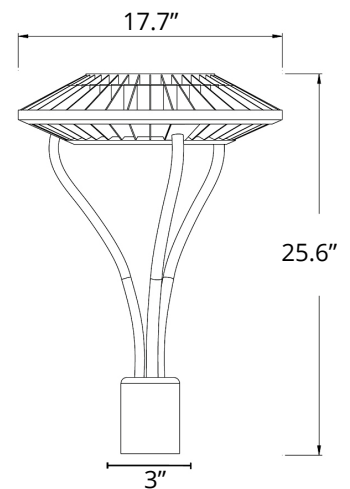
Project:		Type:
Location:		
Prepared By:		Date:
Comments:		

Performance Summary

- Energy-efficient Philips Lumileds SMD LEDs with high efficacy >130 Lm/W
- In stock and ships from several U.S. locations for quick delivery
- Easy access to control switch for a range of CCT's from 3000K to 5000K
- Patented design with high quality components, excellent choice for retrofiting
- Wattage selectable switch allows for a wide range of lumen outputs
- National listing lab tested to IES standards with a 90 x 140 degree optic
- High lumen maintenance exceeds DOE requirements
- Solid State with high-shock and vibration resistance
- 1/9th LED micro color binning enables tight color control
- Aviation grade die cast aluminum housing with professional black powdercoat finish
- Housing is sandblasted and polished for corrosion resistance, rust free and fadeless
- Streamlined housing, no rough edges or scraping, with SUS316 stainless steel hardware
- Housing and driver compartment is one piece to maximize heat dissipation
- CNC machined LED boards are flatness controlled to 0.1mm to speed up heat dissipation
- Copper condensation valve balances the air pressure and prevents water vapor accumulation
- Cooling fins are added to the heatsink for low temperature and higher efficiency
- Shatterproof polycarbonate anti-glare diffused lens over the LEDs
- Well distributed light using a patented reflecting system
- Patented double waterproofing design on the radiator and module to prevent condensation
- Advanced constant current Sosen power supply with 6KV surge protection
- No UV or RF interference, silent operation, no noise, no flickering
- Fast turn on with no warm up or cold start issues
- High power factor with IC controlled LED circuits and low THD driver
- Low junction temperature for long life and low lumen depreciation
- Instant illumination and restrike with no warm up or cold start issues
- Contains no mercury, lead, infrared or UV radiation and cool to the touch
- Commercial CRI: RA>80
- Operating temperature: -30 to 45 degrees celsius
- 100,000 hour LED life - IP65 rated for outdoor locations
- Certifications: CE, RoHS, FCC, cETL, , ETL, DLC
- 10 year limited warranty

Alume PT

Wattage Selectable & Color Tunable Post Top
LED Luminaire



Models:

- VDLS2PTWS - 20W/30W/40W/60W - 6500 Lm - 3000K/4000K/5000K
- VDLS3PTWS - 80W/100W/120W/150W - 13000 Lm - 3000K/4000K/5000K

Ordering Information:				Part Number:		
*Adder Applies				Ordering Example: VDLS2PTWS-CT-T5-V27-BK-PM		
Family	CCT	Optic	Voltage	Finish	Mounting	Accessories*
VDLS2PTWS VDLS3PTWS	CT - Color Tunable	T5 - 90 x 140 Degrees	V27 - 100-277V	BK - Black	PM - Pole Top Mount	PC - Photocell



Vivid Leds, Inc.
PO BOX 9
Sellersburg, IN 47172
330-809-0431
www.vividleds.us

Dimensions, specifications, and product pictures are subject to change without notice.