

## Product Description

The Architekt dusk to dawn fixture can be widely used in outdoor lighting. Excellent for parking lots, municipal, DOT, industrial areas, residential, sidewalks, schools and local streets. Its excellent optic design, greatly improves the light utilization and distribution.

> Quick Ship - In Stock, Ready to Ship

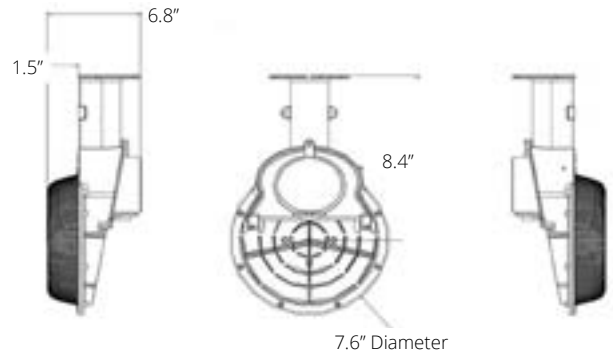
Project:		Type:
Location:		
Prepared By:		Date:
Comments:		

## Performance Summary

- Energy-efficient Philips Lumileds SMD LEDs with high efficacy >140 Lm/W
- USA assembled product with quick warranty support
- In stock and ships from several U.S. locations for quick delivery
- Better visibility than HID or fluorescent with crisp, white light in 5000K CCT
- Patented design with high quality components, excellent choice for retrofitting
- National listing lab tested to IES standards
- Solid State with high-shock and vibration resistance
- High lumen maintenance exceeds DOE requirements
- 1/9th LED micro color binning enables tight color control
- Aviation grade die cast aluminum housing with professional flat silver finish
- Housing is sandblasted and polished for corrosion resistance, rust free and fadeless
- Streamlined housing, no rough edges or scraping, with SUS316 stainless steel hardware
- Housing and driver compartment is one piece to maximize heat dissipation
- CNC machined LED boards are flatness controlled to 0.1mm to speed up heat dissipation
- Copper condensation valve balances the air pressure and prevents water vapor accumulation
- High quality and efficient thermal heatsinks for long life
- Cooling fins are added to the heatsink for low temperature and higher efficiency
- Shatterproof polycarbonate anti-glare diffused lens over the LEDs
- Patented double waterproofing design on the radiator and module to prevent condensation
- Advanced constant current Sosen power supply with 6KV surge protection
- Fast turn on with no warm up or cold start issues
- High power factor with IC controlled LED circuits and low THD driver
- Low junction temperature for long life and low lumen depreciation
- Instant illumination and restrike with no warm up or cold start issues
- Contains no mercury, lead, infrared or UV radiation and cool to the touch
- Includes installed photocell
- Pole accessory available
- Commercial CRI: RA>70
- Operating temperature: -30 to 45 degrees celsius
- 100,000 hour LED life - IP65 rated for outdoor locations
- Certifications: CE, RoHS, FCC, UL, cULus, DLC
- 10 year limited warranty

## Architekt DD

LED Luminaire



## Models:

- VDWSD45WDW2: 45W - 6300 Lm - 2.6 Lbs

<b>Ordering Information:</b>				Part Number:		
*Adder Applies				Ordering Example: VDWSD45WDW2-50-T5-V27-SV-PMWM-PC		
Family	CCT	Optic	Voltage	Finish	Mounting	Controls
VDWSD45WDW2	50 - 5000K	T5 - 124 Degrees	V27 - 120-277V	SV - Silver CS - Custom*	PMWM - Wall or Pole Mount	PC - Photocell



Vivid Leds, Inc.  
PO BOX 9  
Sellersburg, IN 47172  
330-809-0431  
www.vividleds.us

Dimensions, specifications, and product pictures are subject to change without notice.