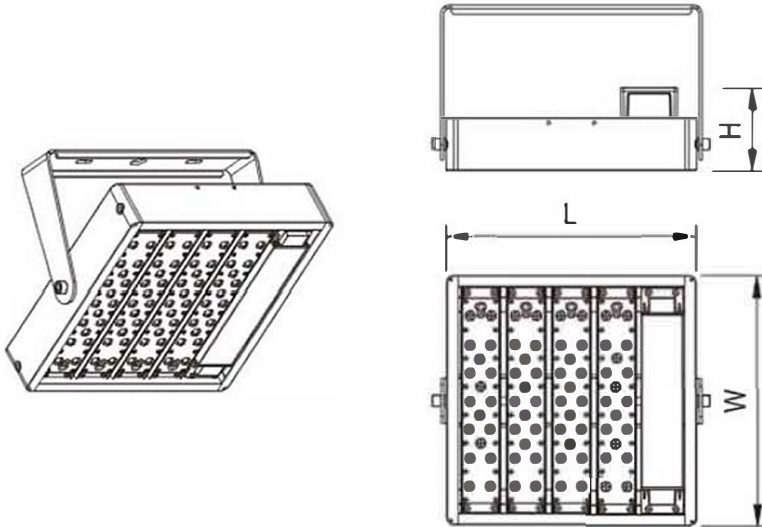


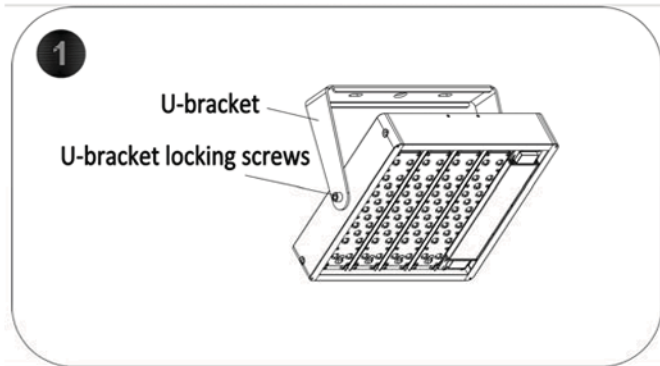
# VEGA2 SMD INSTRUCTIONS



**PLEASE READ THESE INSTRUCTIONS CAREFULLY BEFORE INSTALLATION  
LEAVE A COPY FOR THE USER / MAINTENANCE ENGINEER FOR FUTURE REFERENCE**

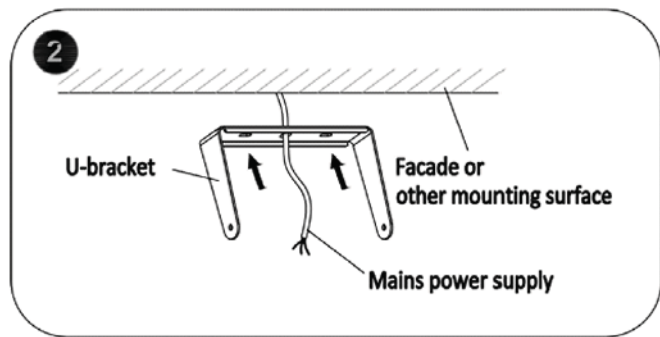
## **IMPORTANT INSTALLATION INFORMATION**

- Before commencing installation or maintenance, ensure electricity is switched off at the mains. Installation or maintenance should be carried out by a qualified electrician.
  - The luminaire must not, under any circumstances, be installed directly to flammable materials, and luminaires must not be covered with any flammable materials.
  - Ensure there is adequate free air circulation of at least 50cm around the luminaire. All luminaires run hot. It is the installer's responsibility to consider fire risk and take appropriate precautions.
-



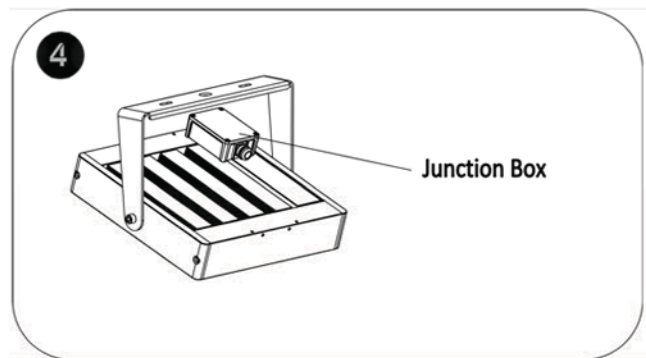
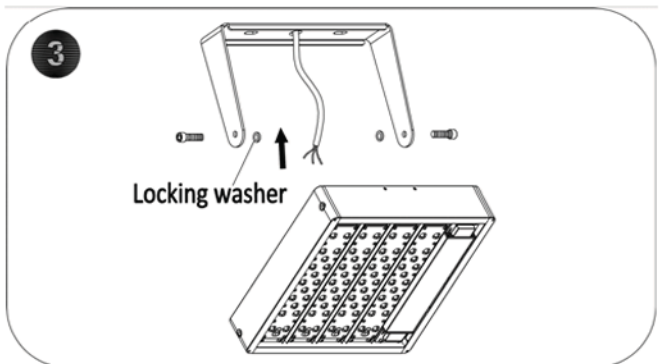
**STEP 1:** Unscrew screws from the yoke mounting bracket from the light body, and remove the yoke mounting bracket (herein after referred to U-bracket). **See Figure 1.**

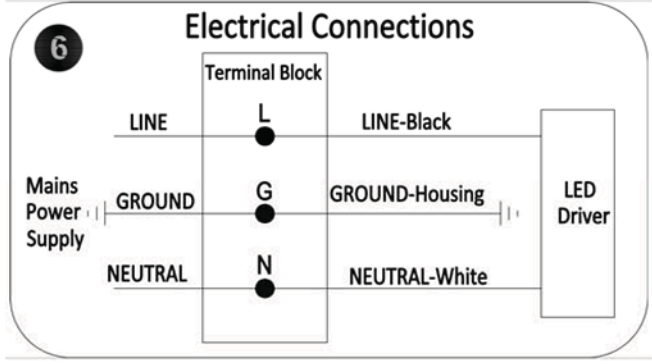
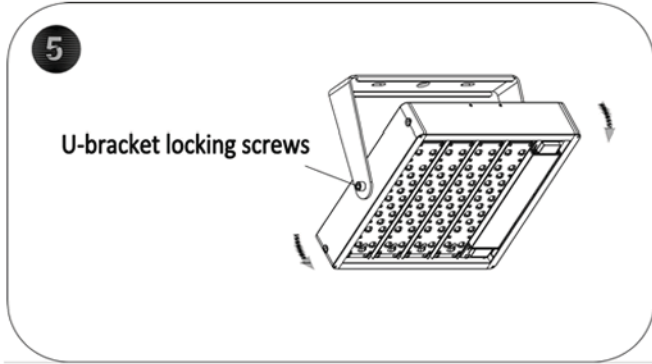
**STEP 2:** Get the mains power supply cord through wiring hole on U bracket, then fix U bracket to façade or other location using swelling bolts or other screws. **See Figure 2.**



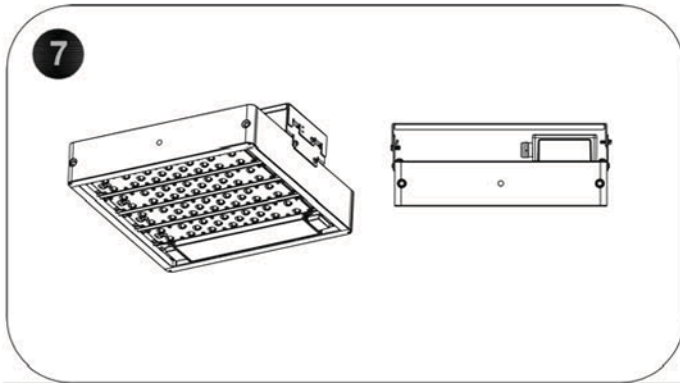
**STEP 3:** Fit lightbody into the hooks of U-bracket, and make sure the locking washers must be located between U bracket the

**STEP 4:** Tighten the screws slightly, rotate the lightbody and make it easier for wiring, then connect mains power supply to the power cord of lightbody, **See Figure 4.** For more details about wiring, please refer to the wiring instruction to complete wiring, **see Figure 6.**

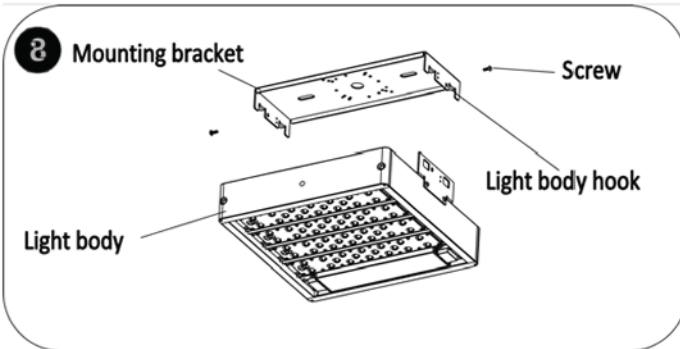




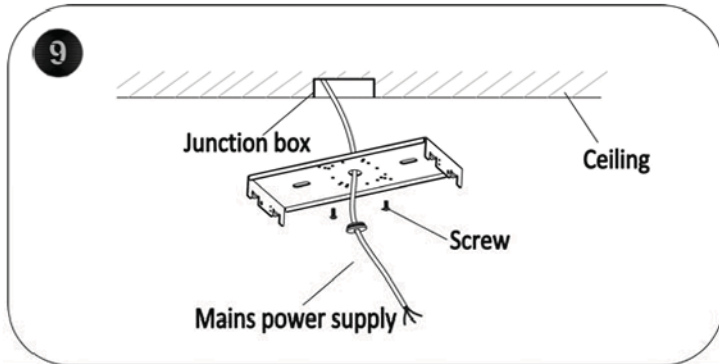
**STEP 5:** Loosen the screws on both sides of U bracket, rotate the lightbody to a specific aiming direction for illumination, finally lock the screws at 45 N.m torque to complete installation.



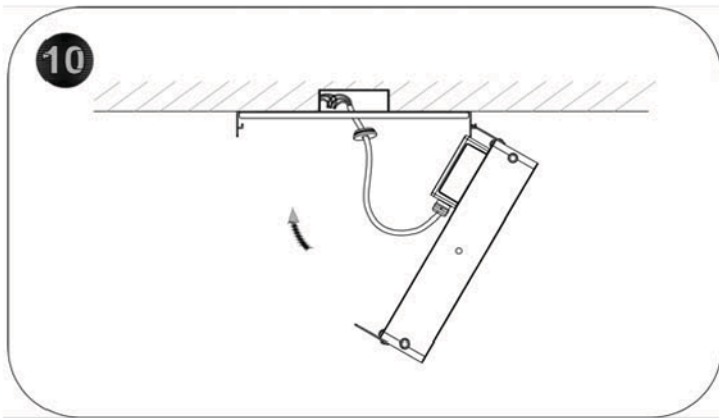
**OPTIONAL MOUNTING:** See Figure7.



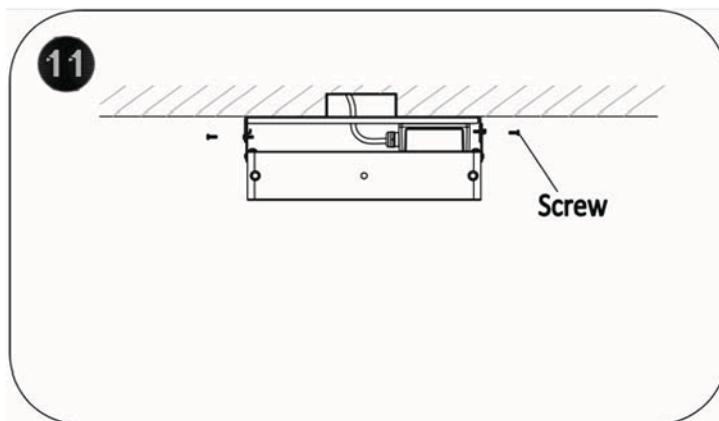
**STEP 1:** Remove mounting bracket from lightbody by loosening the screws on both sides of the brackets (**See Figure 8**).



**STEP 2:** Get mains power supply cord through wiring hole on the mounting bracket, and fix the mounting bracket to ceiling or the junction box in ceiling using swelling bolt or screw.(See figure 9)



**STEP 3:** If there is a junction box in ceiling, hang lightbody to mounting bracket using the hook on one side of lighthead. Refer to wiring diagram (see Figure 6) , connect mains power supply to power cord at lightbody side using a terminal block, push the connected wires back to junction box, then insert silicone rubber nuts into wiring hole properly(see Figure 10), If there is no junction box in ceiling, hang lightbody to mounting bracket using the hook on one side of lightbody. Refer to wiring diagram (see Figure 6), use external junction box to connect mains power supply to the power cord at lightbody side



**STEP 4:** Push the hook on the other side of lightbody to the mounting bracket, and fix lightbody to mounting bracket using locking screws to complete installation (see Figure 11).

## **WIRING INSTRUCTION**

### **\*\*\*IF THERE IS JUNCTION BOX IN CEILING:**

**STEP 1:** Connect the LINE wire in the mains power supply cord to black LINE wire from lightbody via a terminal block.

**STEP 2:** Connect the NEUTRAL wire in the mains power supply cord to white NEUTRAL wire from lightbody via a terminal block.

**STEP 3:** Connect the green grounding wire in the mains power supply cord to green grounding wire from lightbody via a terminal block.

**STEP 4:** Push back the connected wires into junction box.

### **\*\*\*EXTERNAL JUNCTION BOX:**

**STEP 1:** Open the lid of the external junction box.

**STEP 2:** Connect the LINE wire in the mains power supply cord to the L marked hole in the terminal block from the external junction box, and tighten the connection properly.

**STEP 3:** Connect the NEUTRAL wire in the mains power supply cord to the N marked hole in the terminal block from the external junction box, and tighten the connection properly.

**STEP 4:** Connect the YELLOW/GREEN GROUNDING wire in the mains power supply cord to the G marked hole in the terminal block from the external junction box, and tighten the connection properly.

**STEP 5:** Close the junction box, and fasten the screws to fix the lid to the junction box body.