

Product Description

The Twilight series is the leader in the industry for an economical color changing luminaire. Sticking to the basics by using industry standard DMX protocol for control, to clever wiring, to internal self-control with built-in programs, the Twilight series offers a basic solution that applies to even the most difficult applications. With quality throughout, from the LEDs to the die-cast housing, the Twilight shines above the rest.

> Standard Ship - 30 Day Lead Time

Project:		Type:	
Location:			
Prepared By:		Date:	
Comments:			

Performance Summary

- Edison LEDs with RGB efficacy >35 Lm/W and white >80 Lm/W**
- Solid state with high shock and vibration resistance
- Dimming capability by any DMX controller, 0-10V, or built-in controls
- Each red, green & blue LED has a 256 color depth
- Precise optics with photometric lens built over each LED
- Easy installation with 180 degree rotating mounting brackets
- Adjustable mounting brackets can go on the side or bottom of the fixture
- RGB color changing modes by DMX 512 controller
- Fixture modes: 1) Independant, 2) DMX, 3) Master/Slave
- LED screen with push button control to change programs or setup DMX
- Built-in self-control with pre-programmed lighting effects
- Programs include solid colors, flashing, fading, color jumping
- High vertical illuminance for large space lighting
- Die-cast 6063 aluminum alloy silver housing with low heat generation
- Durable polycarbonate clear cover with water resistant protection
- 5' power cable whip and 1.5' in and out DMX cable standard option
- 1.5' power cable in and out and 1.5' DMX cable in and out linkable option
- Contains no mercury or lead and cool to the touch
- No infrared or UV radiation
- Operating temperature: -20 to 40 degrees celsius
- IP65 rated, applicable for indoor or outdoor applications
- Constant current driver with universal voltage: 100-277 VAC
- 100,000 hour LED life
- Certifications: CE, RoHS, ETL
- 1 year system warranty - 2 or 3 year optional

TWILIGHT Z5 HP SERIES

Static Color, Static White, or RGB Color Changing
LED DMX Wash, Stripe or Graze



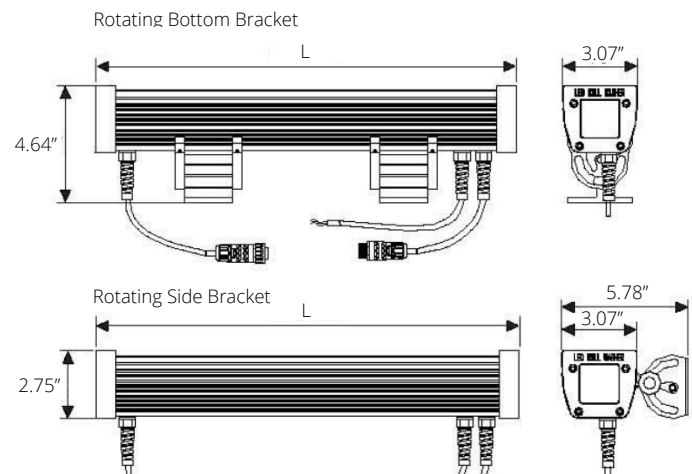
Power & DMX or 0-10V Linkable Option:

Signal Cable with IP68 Connector



Power Cable with IP68 Connector

Power & DMX or 0-10V extension cables available on the website



Models:

- VVDZ590HP: 9 LEDs - 12W - 12" (L) - 4.6 Lbs
- VVDZ518HP: 18 LEDs - 20W - 24" (L) - 7.9 Lbs
- VVDZ536HP: 36 LEDs - 40W - 48" (L) - 12.4 Lbs

Static color or white - 9/18/36 LEDs
RGB rotating LEDs - R:3/6/12, G:3/6/12, B:3/6/12

Ordering Information:

Part Number:

*Adder Applies

Ordering Example: VVDZ590HP-RGB-15-DMX-ST-SG-RB

Family	CCT	Optic	Dimming	Connection	Finish	Mounting	Accessories*
VVDZ590HP VVDZ518HP VVDZ536HP	RGB - RGB Color Changing W - Static White - 3000K N - Static White - 4300K C - Static White - 6000K R - Static Red - 625nm G - Static Green - 525nm B - Static Blue - 460nm Y - Static Amber - 590nm	15 - 15 Degree 30 - 30 Degree 45 - 45 Degree	DMX - DMX LV - 0-10V	ST - Standard LK - Linkable*	SG - Silver Gray WT - White* BK - Black* CS - Custom*	RB - Rotating Bracket	GP - Field Installed Grounded Plug DMX Cables DMX Controllers Wireless DMX Signal Amplifiers



Vivid Leds, Inc.
PO BOX 9
Sellersburg, IN 47172
800-974-3570
www.vividleds.us

Dimensions, specifications, and product pictures are subject to change without notice.

**80 Lm/W is based on 6000K white CCT. Static color or RGB LEDs > 35 Lm/W.

The product on this page is a manufactured to order, non-stocking item. This product cannot be returned for refund or credit.

J10

Revised 7.3.19