

INSTALLATION INSTRUCTION MANUAL

EXITE PL LED AREA LIGHT SENSORS

100-277VAC/277-480VAC

Introduction:

This LED Area light uses the latest in solid state lighting technology for long life, low maintenance, and high efficiency. There are Multiple installation methods, suitable for various occasion.

Warning:

To avoid the risk of fire, explosion, or electric shock, this product should be installed, inspected, and maintained by a qualified electrician only, in accordance with all applicable electrical codes.

To avoid electric shock:

Be certain electrical power is OFF before and during installation and maintenance.
Luminaire must be connected to a wiring system with an equipment-grounding conductor.

To avoid explosion:

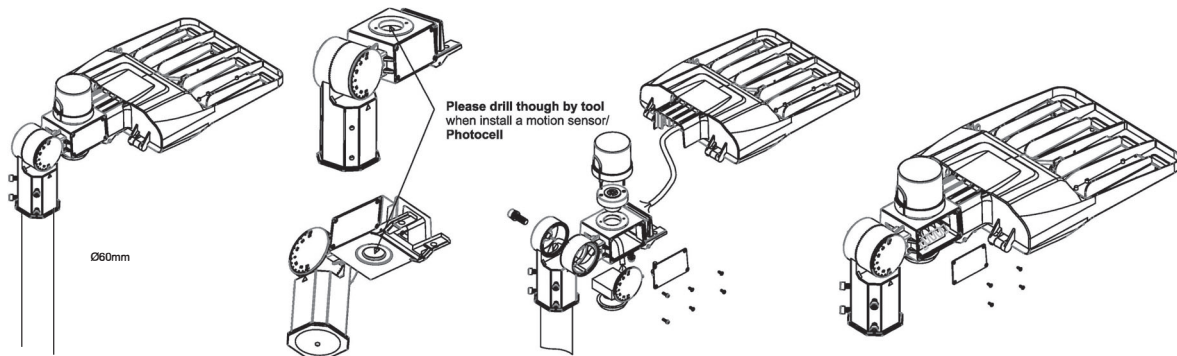
Make sure the supply voltage is the same as the rated luminaire voltage.
Do not install where the marked operating temperatures exceed the ignition temperature of the hazardous atmosphere.
Do not operate in ambient temperatures above those indicated on the luminaire nameplate.
Keep lens tightly closed when in operation.

For supply connections use wire rated for at least 90°C

After installation:

Check whether the lighting fixture is firmly fixed.
Check whether wires are connected correctly.
At last, turn on the power, and check if the lighting fixture works.

How to install a photocell/ motion sensor on SF bracket



How to install a photocell/ motion sensor on EA/PD bracket

