

Product Description

The Focus series LED bulkhead is designed to replace HID lighting systems up to 100w MH or HPS. The diffused polycarbonate lens allows for maximum light output. Typical applications include office and public buildings, condominiums, schools, shopping malls, and hospitality. Recommended mounting heights are 6 to 20 feet.

> Quick Ship - In Stock, Ready to Ship

Project:		Type:
Location:		
Prepared By:		Date:
Comments:		

Performance Summary

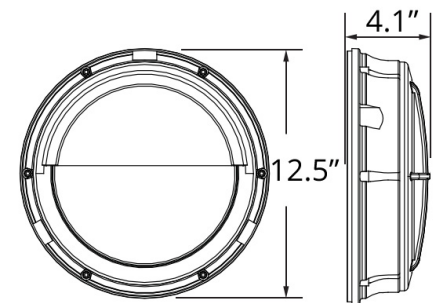
- Samsung LEDs with high efficacy >145 Lm/W
- USA assembled product with quick warranty support
- Standard design with modern components, excellent choice for retrofitting
- Patented heat dissipation design for optimum efficiency
- National listing lab tested to IES standards with Type IV optic
- High lumen maintenance exceeds DOE requirements
- Photometric optic built over each LED for enhanced light distribution
- Solid State with high-shock and vibration resistance
- Aluminum LED boards with copper tracings for best thermal management
- LED array manufactured using a state-of-the-art SMT machine
- Diffused polycarbonate opal lens eliminates hot spots
- A360 extruded ingot die-cast housing and front frame
- Integral heatsink and driver compartment
- DuPont textured architectural powdercoat finish in bronze or white
- Chromate conversion coating for long lasting appearance
- Excellent resistance to corrosion, UV degradation and abrasion
- Custom housing colors available upon request
- Mounts directly to the surface
- Rust resistant stainless steel hardware with durable nickel-plating
- Fin heatsinks for best heat dissipation and long life
- High CRI - RA>85 enhances original colors
- 1-10V dimmable driver with surge protection and battery backup option
- Internal microwave sensor and photocell options
- Fast turn on with no warm up or cold start issues
- Contains no mercury, lead, infrared or UV radiation and cool to the touch
- Operating temperature: -40 to 40 degrees celsius
- Samsung chip platform with completed 6,000 hour LM-80 test
- 187,000 hour LED life @ L70 tested at 25 degrees celsius
- Certifications: CE, RoHS, CSA - IP65 outdoor rated
- 5 year system warranty

FOCUS 1 SERIES

Half Cutoff Polycarbonate Lens 12.5" Round Bulkhead
LED Dimmable Luminaire



Pencil Photocell



Models:

- VDWPR25FR: 17W - 2263 Lm - 525mA - B:1, U:1, G:0

Ordering Information:

Part Number:

*Adder Applies

**Adder Applies. Extended Lead Time May Apply.

Ordering Example: VDWPR25FR-50-S5C-V27-BZ-ND

Family	CCT	Optic	Voltage	Finish	Dimming	Accessories*
VDWPR25FR	30 - 3000K** 40 - 4000K** 50 - 5000K	S4C - Type IV Short	V27 - 120-277V	WT - White BZ - Bronze CS - Custom*	ND - Non Dim DM - 1-10V Dim	SF - Single Fuse DF - Double Fuse SP - 20kA Surge Protection 120-277VAC EM - Emergency Driver Provides 90 Minutes of Backup Power MS - Internal Microwave Sensor with Dimming up to 15' Height P10 - 120V Pencil Photocell 1/2" CdS P12 - 208-277V Pencil Photocell 1/2" CdS



Vivid Leds, Inc.
PO BOX 9
Sellersburg, IN 47172
800-974-3570
www.vividleds.us

Dimensions, specifications, and product pictures are subject to change without notice.

D21