

Product Description

The Axis VN Series Low Profile Surface Mount luminaire is available with an optical distribution designed specifically to replace HID lighting systems up to 100w MH or HPS. Typical lighting applications include retail centers, industrial parks, schools and universities, public transit and airports, office buildings and medical facilities. Mounting heights of 8 to 16 feet can be used based on light level and uniformity requirements.

> Quick Ship - In Stock, Ready to Ship

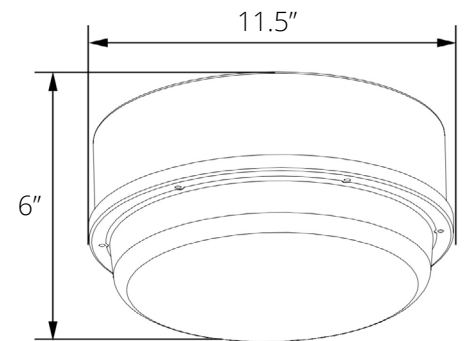
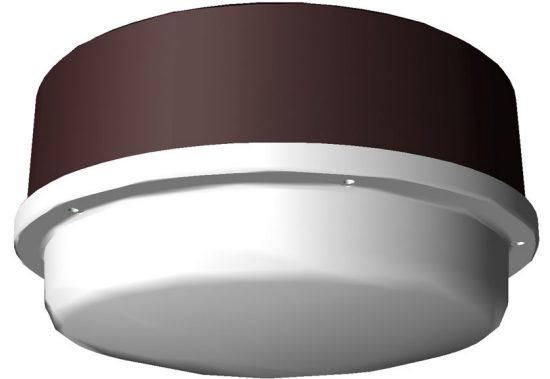
Project:		Type:
Location:		
Prepared By:		Date:
Comments:		

Performance Summary

- Samsung LEDs with high efficacy >125 Lm/W
- USA assembled product with quick warranty support
- Standard design with modern components, excellent choice for retrofitting
- Meets ARRA requirements for U.S. made fixtures
- In stock and ships from five U.S. locations for quick delivery
- Patented heat dissipation design for optimum efficiency
- National listing lab tested to IES standards with Type V optic
- High lumen maintenance exceeds DOE requirements
- Solid State with high-shock and vibration resistance
- Aluminum LED boards with copper tracings for best thermal management
- LED array manufactured using a state-of-the-art SMT machine
- Diffused polycarbonate vandal resistant lens
- A360 extruded ingot die-cast housing
- DuPont textured architectural powdercoat finish
- Chromate conversion coating for long lasting appearance
- Custom housing colors available upon request
- Includes easy hang bracket to mount to a 4" recessed electrical box
- Rust resistant stainless steel hardware with durable nickel-plating
- Fin heatsinks for best heat dissipation and long life
- High CRI - RA>84 enhances original colors
- 1-10V dimmable driver with surge protection and battery backup option
- Fast turn on with no warm up or cold start issues
- Contains no mercury, lead, infrared or UV radiation and cool to the touch
- Operating temperature: -40 to 40 degrees celsius
- Samsung chip platform with completed 6,000 hour LM-80 test
- 169,000 hour LED life @ L70 tested at 25 degrees celsius
- Certifications: CE, RoHS, CSA - IP65 outdoor rated
- 5 year system warranty

AXIS VN SERIES

Vandal Resistant Low Profile Round Canopy
LED Dimmable Luminaire



Models:

- WDVNR3434: 34W - 4725 Lm - 117 mA - B2, U3, G2

Ordering Information:				Part Number:		Ordering Example: WDVNR3434-50-S5D-V27-BZ-ND	
*Adder Applies		**Adder Applies. Extended Lead Time May Apply.					
Family	CCT	Optic	Voltage	Finish	Dimming	Accessories*	
WDVNR3434	30 - 3000K** 40 - 4000K** 50 - 5000K	S5D - Type V Short Diffused	V27 - 120-277V	BZ - Bronze CS - Custom*	ND - Non Dim DM - 0-10V Dim	SF - Single Fuse DF - Double Fuse SP - 20kA Surge Protection 120-277VAC MS - Microwave Dimming Sensor, 8' to 40' Height EM - Emergency Driver Provides 90 Minutes of Backup Power	



Vivid Leds, Inc.
PO BOX 9
Sellersburg, IN 47172
800-974-3570
www.vividleds.us

Dimensions, specifications, and product pictures are subject to change without notice.

C7

