

Product Description

The Axis series flood light luminaire is available with a knuckle mounting feature and is designed to replace HID lighting systems up to 50w MH or HPS. Typical lighting applications include retail centers, industrial parks, schools and universities, public transit and airports, office buildings and medical facilities. Mounting up to heights of 12 feet based on light level and uniformity requirements.

> Quick Ship - In Stock, Ready to Ship

Project:		Type:
Location:		
Prepared By:		Date:
Comments:		

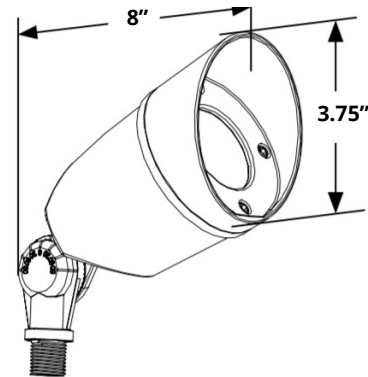
Performance Summary

- Samsung COB LEDs with high efficacy >95 Lm/W
- USA assembled product with quick warranty support
- Modern, architectural design with a streamlined appearance
- Patented heat dissipation design for optimum efficiency
- National listing lab tested to IES standards with NEMA optics
- High lumen maintenance exceeds DOE requirements
- Solid State with high-shock and vibration resistance
- Aluminum LED boards with copper tracings for best thermal management
- LED array manufactured using a state-of-the-art SMT machine
- Tempered clear borosilicate flat glass lens
- A360 extruded ingot die-cast housing, front frame and ballast box
- DuPont textured architectural bronze powdercoat finish
- Chromate conversion coating for long lasting appearance
- Mounts with included 1/2" NPS adjustable knuckle
- Angle indicators on the knuckle assist with proper aiming
- Rust resistant stainless steel hardware with durable nickel-plating
- Fin heatsinks for best heat dissipation and long life
- High CRI - RA>80 enhances original colors
- Fast turn on with no warm up or cold start issues
- Contains no mercury, lead, infrared or UV radiation and cool to the touch
- Operating temperature: -40 to 50 degrees celsius
- Samsung chip platform with completed 6,000 hour LM-80 test
- 147,000 hour LED life @ L70 tested at 25 degrees celsius
- Certifications: CE, RoHS, CSA - IP66 outdoor rated
- 5 year system warranty

AXIS BULLET C2 SERIES

1/2" NPS Adjustable Threaded Knuckle

LED Luminaire



Models:

- WDFB2C3FR: 10W - 853 Lm - 350 mA

Ordering Information:				Part Number:		
*Adder Applies				Ordering Example: WDFB2C3FR-41-S4P-V27-BZ-ND		
Family	CCT	Optic	Voltage	Finish	Dimming	Accessories*
WDFB2C3FR	30 - 3000K** 41 - 4100K 50 - 5000K**	S4P - NEMA 4Hx4V with 30 Degree Reflector	V27 - 120-277V	BZ - Bronze CS - Custom*	ND - Non Dim	FLP - Post Top Fitter for 2 3/8" to 3 1/2" Poles GS - Heavy Duty Ground Stake with 1/2" NPS Threads



Vivid Leds, Inc.
PO BOX 9
Sellersburg, IN 47172
800-974-3570
www.vividleds.us

Dimensions, specifications, and product pictures are subject to change without notice.