



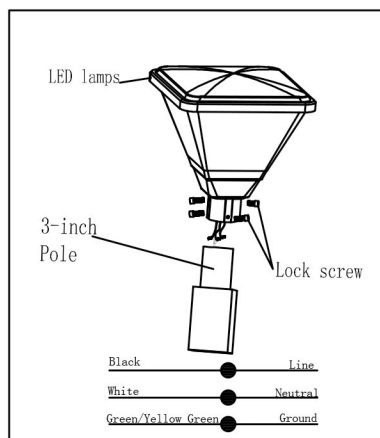
### PLEASE READ ALL INSTRUCTIONS BEFORE ATTEMPTING INSTALLATION

- To prevent personal injury or product damage only licensed electricians should install.
- To avoid electric shock or component damage disconnect power before attempting installation or servicing.
- This product must be installed in accordance with the national electric code (NEC) and all applicable federal, state and local electric codes and safety standards.
- Disconnect product and allow cooling prior to servicing.
- Any alteration or modification of this product is expressly forbidden as it may cause serious personal injury, death, property damage and/or product malfunction.
- To prevent product malfunction and/or electrical shock this product must be properly grounded.
- This luminaire is designed to operate in ambient temperatures ranging from  $-30^{\circ}\text{C}$  to  $45^{\circ}\text{C}$  and to be horizontally mounted with the LEDs facing down.
- Square Post Top Light only.

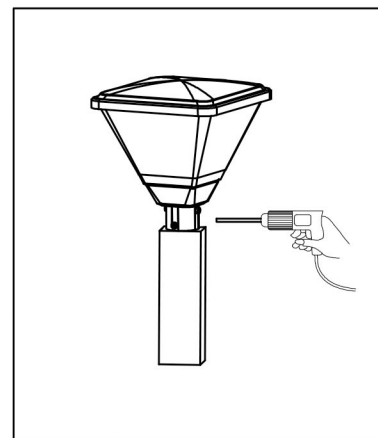
## 1.Unpacking

Check whether the fixtures are damaged, please report to the carrier if any damage.

## 2.Installation



1.Connect the AC wire of the lamp as shown in the picture, then insert the lamp into the 3-inch pole.



2.Lock the screws on both sides of the lamps , fix the lamps on the pole.

## 3. Checking

1. Does all the wires connect in a correct way as the pictures show below?
2. Is the ground lead installed appropriately?
3. make sure the photocell function well.