

Product Description

The Architekt ST series is a ARRA compliant post top luminaire using the latest Samsung LEDs. From benchmarking a minimum 104 degree F ambient during thermal testing, to custom designed LED arrays for each luminaire individually, to using the best housing materials and coatings, each aspect has been taken into careful consideration to ensure many years of trouble-free service.

> Quick Ship - In Stock, Ready to Ship

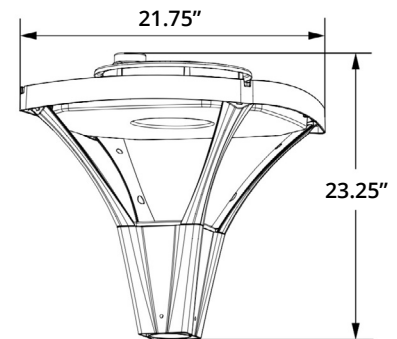
Project:		Type:
Location:		
Prepared By:		Date:
Comments:		

Performance Summary

- Samsung LH351Z LEDs with high efficacy >95 Lm/W
- Meets ARRA requirements for U.S. made fixtures
- In stock and ships from five U.S. locations for quick delivery
- USA assembled product with quick warranty support
- Patented heat dissipation design for optimum efficiency
- National listing lab tested to IES standards
- High lumen maintenance exceeds DOE requirements
- Photometric optic built over each LED for enhanced light distribution
- Solid State with high-shock and vibration resistance
- Aluminum LED boards with copper tracings for best thermal management
- LED array manufactured using a state-of-the-art SMT machine
- Individual optics robotically applied and sonically welded for precise light control
- Clear or diffused borosilicate array lens to protect the LED board
- A360 extruded ingot die-cast housing
- DuPont textured architectural powdercoat finish
- Chromate conversion coating for long lasting appearance
- Pole top mount 2 7/8" O.D x 3" tenons
- Aluminum or steel poles available to match fixture and accessories
- Rust resistant stainless steel hardware with durable nickel-plating
- High CRI - RA>80 enhances original colors
- 1-10V dimmable driver with surge protection option
- Fast turn on with no warm up or cold start issues
- Contains no mercury, lead, infrared or UV radiation and cool to the touch
- Operating temperature: -40 to 50 degrees celsius
- Samsung TZ chip platform with completed 6,000 hour LM-80 test
- 473,000 hour LED life @ L70 tested at 25 degrees celsius
- Certifications: CE, RoHS, CSA - IP67 outdoor rated
- 5 year system warranty

ARCHITEKT ST SERIES

Square Pole Top Accomodates 2 7/8" Tenon
LED Dimmable Luminaire



Models:

- VDPFS80100: 100W - 7959 Lm - 22" Diameter
- VDPFS80176: 176W - 19,509 Lm - 22" Diameter

Ordering Information:				Part Number:		Ordering Example: VDPFS80100-50-S5C-V27-BK-ND	
Family	CCT	Optic	Voltage	Finish	Dimming	Accessories*	
VDPFS80100 VDPFS80176	30 - 3000K** 40 - 4000K** 50 - 5000K	S3C - Type III Clear Lens S5D - Type III Diffused Lens S5C - Type V Clear Lens S5D - Type V Diffused Lens	V27 - 120-277V V48 - 347-480V*	BK - Black CS - Custom*	ND - Non Dim DM - 1-10V Dim	SF - Single Fuse DF - Double Fuse SP - Surge Protection 100-277V MS - Microwave Dimming Sensor, 8' to 40' Height R3 - 3-Pin Twist Lock Receptacle 120-277 VAC R7 - 7-Pin Twist Lock Receptacle 347-480 VAC P31 - Twist Lock Non-Shorting Cap (Fixture Always Off) P32 - Twist Lock Shorting Cap (Fixture Always On) P42 - Instant Twist Lock Photocell 110-277 VAC P50 - Time Delay Twist Lock Photocell 120 VAC P52 - Time Delay Twist Lock Photocell 277 VAC	



Vivid Leds, Inc.
PO BOX 9
Sellersburg, IN 47172
800-974-3570
www.vividleds.us

Dimensions, specifications, and product pictures are subject to change without notice.

The product on this page is a manufactured to order, non-stocking item. This product cannot be returned for refund or credit.

A11

Revised 6.18.19