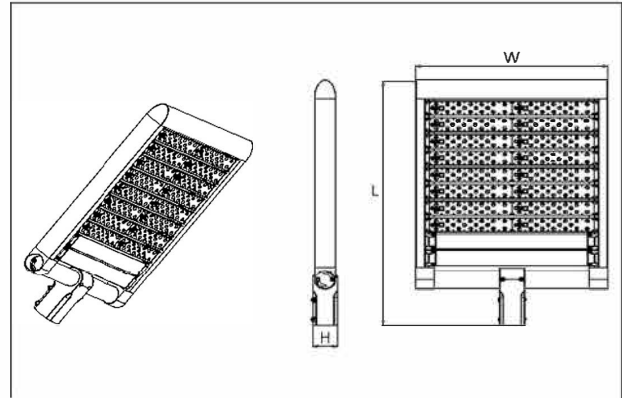


PLEASE READ THESE INSTRUCTIONS CAREFULLY BEFORE INSTALLATION

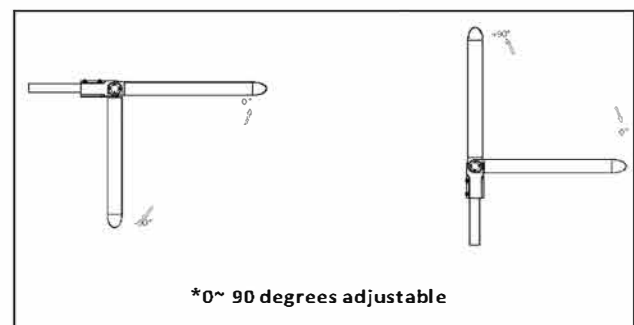
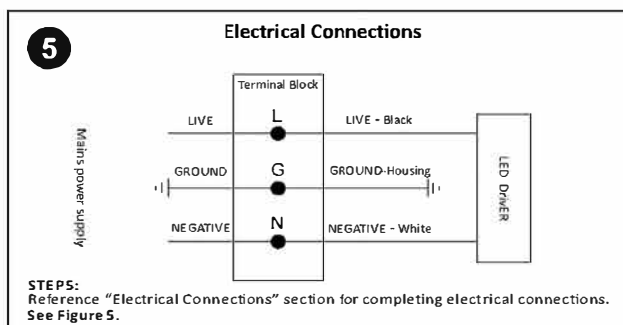
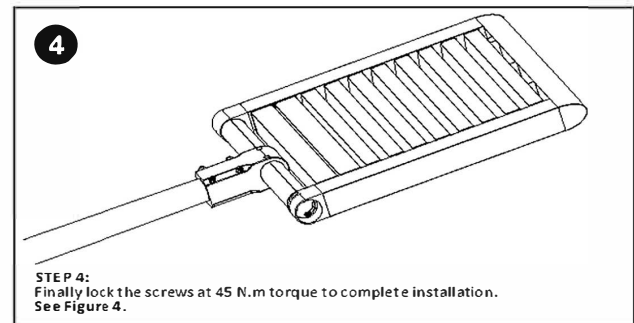
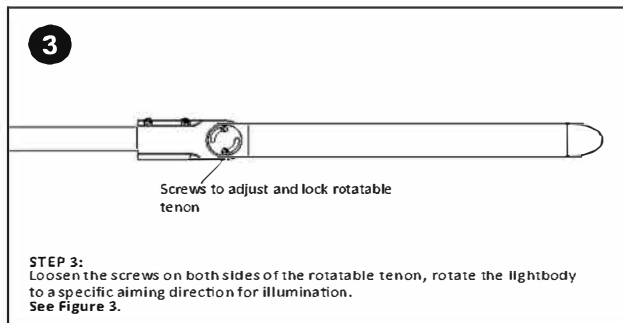
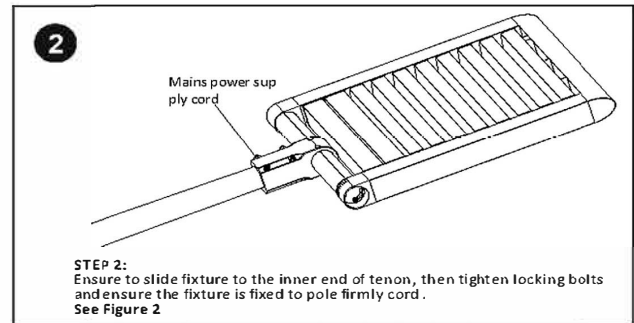
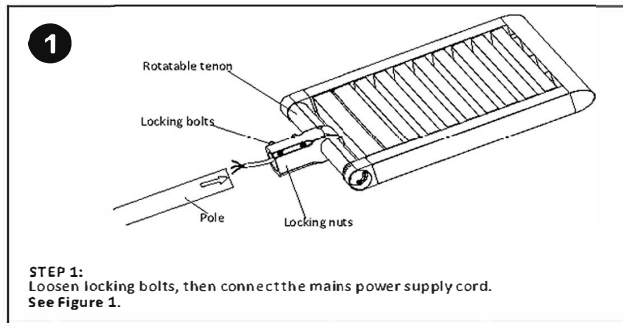
IMPORTANT INSTALLATION INFORMATION

1. Before commencing installation or maintenance, ensure electricity is switched off at the mains. Installation or maintenance should be carried out by a qualified electrician.
2. The luminaire must not, under any circumstances, be installed directly to flammable materials, and luminaires must not be covered with any flammable materials.
3. Mounting height range of 6 to 12 meters, this model is suitable for outdoor lighting.
4. Ensure there is adequate free air circulation of at least 50cm around the luminaire. All luminaires run hot. It is the installer's responsibility to consider fire risk and take appropriate precautions.



LEAVE A COPY FOR THE USER / MAINTENANCE ENGINEER FOR FUTURE REFERENCE

Installation Instruction & Installation Steps



*The external flexible cable or cord of this luminaire cannot be replaced; if the cord is damaged, the luminaire shall be destroyed.
Terminal block not included, Installation may require advice from a qualified person