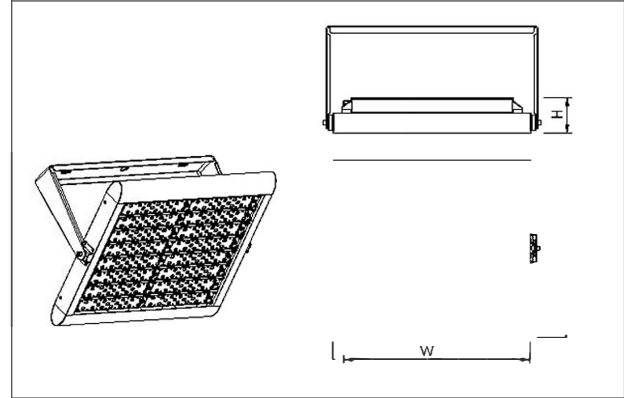


VEGA2 ALD INSTRUCTIONS

PLEASE READ THESE INSTRUCTIONS CAREFULLY BEFORE INSTALLATION

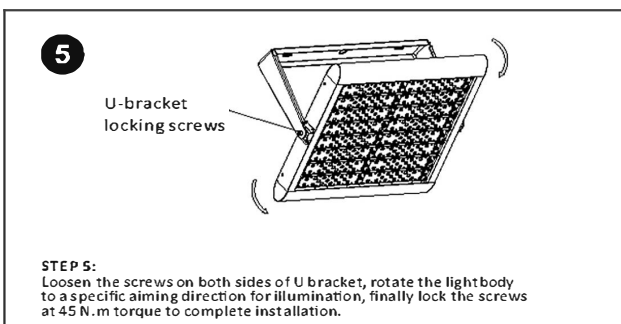
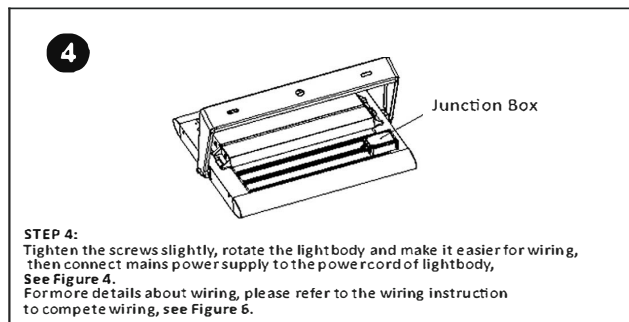
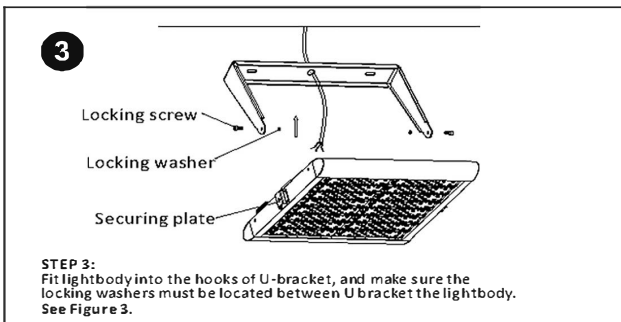
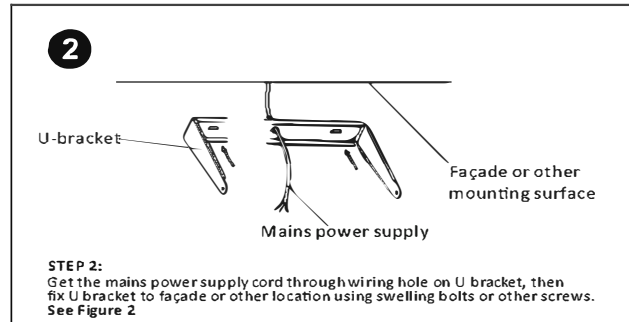
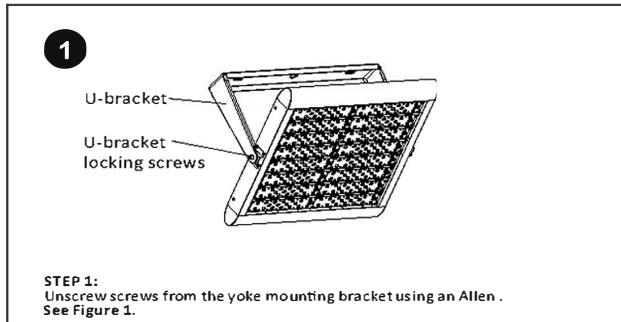
IMPORTANT INSTALLATION INFORMATION

1. Before commencing installation or maintenance, ensure electricity is switched off at the mains. Installation or maintenance should be carried out by a qualified electrician.
2. The luminaire must not, under any circumstances, be installed directly to flammable materials, and luminaires must not be covered with any flammable materials.
3. Mounting height range of 6 to 12 meters, this model is suitable for outdoor lighting.
4. Ensure there is adequate free air circulation of at least 50cm around the luminaire. All luminaires run hot. It is the installer's responsibility to consider fire risk and take appropriate precautions.



LEAVE A COPY FOR THE USER / MAINTENANCE ENGINEER FOR FUTURE REFERENCE

Installation Instruction & Installation Steps



Safety Notice

Alternating Current

***IF THERE IS JUNCTION BOX IN CEILING:

STEP I: Connect the **LINE** wire in the mains power supply cord to black **LINE** wire from lightbody via a terminal block.

STEP II: Connect the **NEUTRAL** wire in the mains power supply cord to white **NEUTRAL** wire from lightbody via a terminal block.

STEP III: Connect the green grounding wire in the mains power supply cord to green grounding wire from lightbody via a terminal block.

STEP III: Push back the connected wires into junction box.

***EXTERNAL JUNCTION BOX:

STEP I: Open the lid of the external junction box.

STEP II: Connect the **LINE** wire in the mains power supply cord to the **L** marked hole in the terminal block from the external junction box, and tighten the connection properly.

STEP III: Connect the **NEUTRAL** wire in the mains power supply cord to the **N** marked hole in the terminal block from the external junction box, and tighten the connection properly.

STEP IV: Connect the **YELLOW/GREEN GROUNDING** wire in the mains power supply cord to the **G** marked hole in the terminal block from the external junction box, and tighten the connection properly.

STEP V: Close the junction box, and fasten the screws to fix the lid to the junction box body.

Input wire H07RN-F 3x1.5mm² or rubber sheathed cable (not supplied).
Conductor must have a minimum cross-sectional area of 1.5mm².

