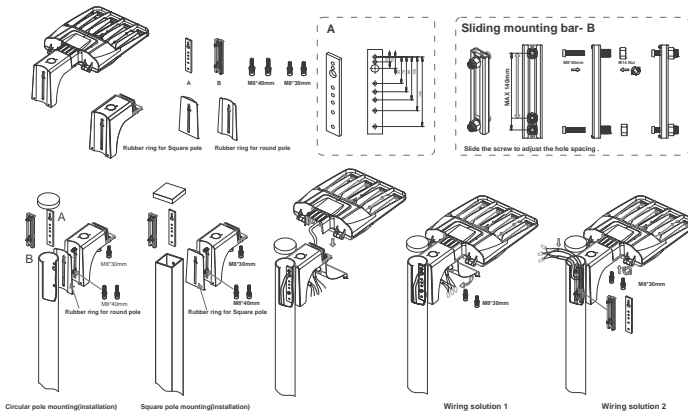
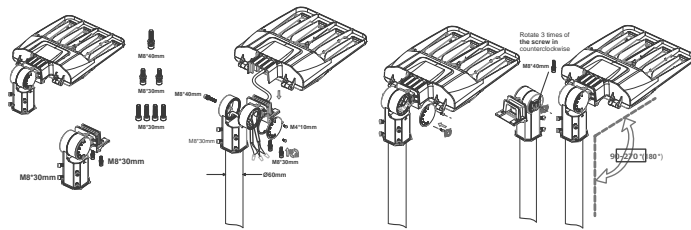


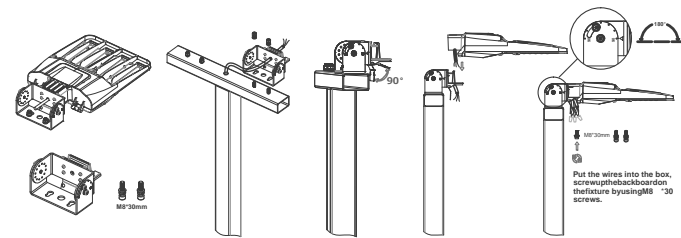
EA/PD



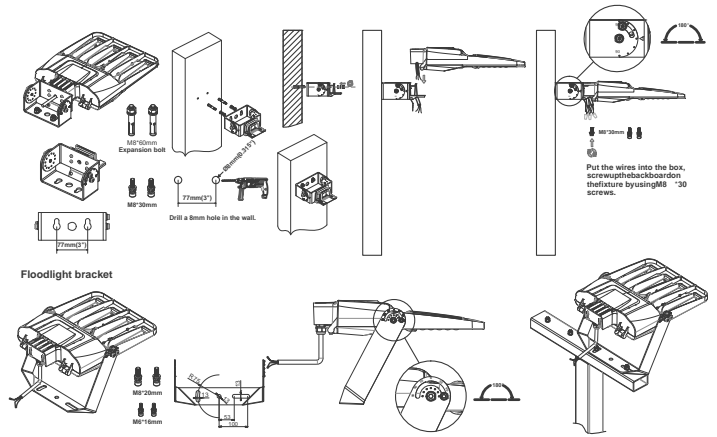
SF



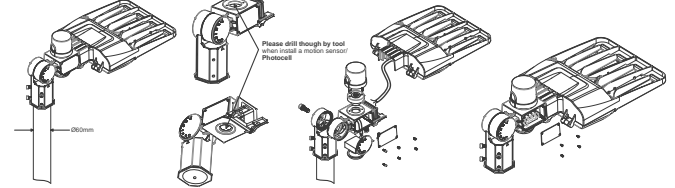
TR



TR



How to install a photocell/ motion sensor on SF bracket



How to install a photocell/ motion sensor on EA/PD bracket

