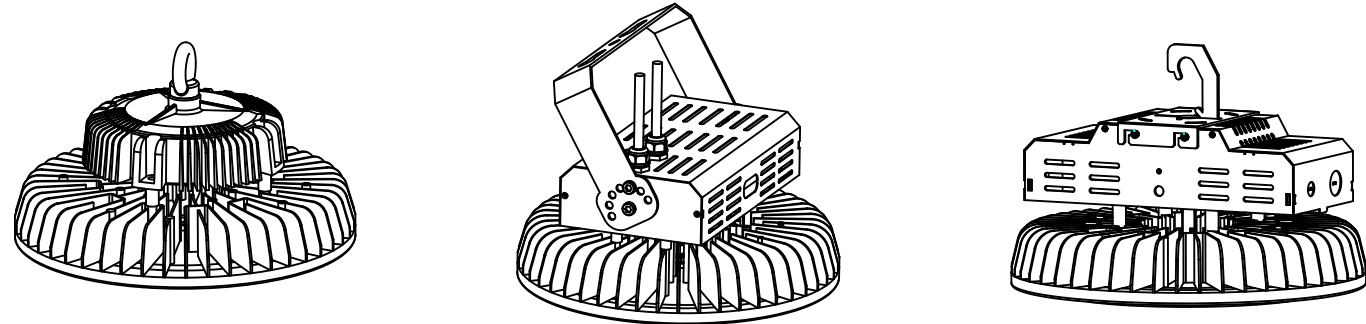


User Manual of LED High Bay Light



Product Introduction:

Welcome to purchase our led high bay light, which is with imported high-brightness SMD3030 led chip, with unique high purity cold-forging No.1070 Aluminum and high efficiency constant current or constant voltage driver. Ideal product for the factories, Stadiums, gas stations, train stations, and similar applications

Product Features:

- ☆ The material of heat sink is high thermal conductivity cold-forging No.1070 Aluminum, good for heat dissipation and the surface is anti-static.
- ☆ The unique design of housing help to speed up the heat dissipation, further ensuring the life of the fixture. The integrated design of appearance makes the fixture look elegant.
- ☆ This fixture is waterproof, dustproof, anticorrosive

Packing including:

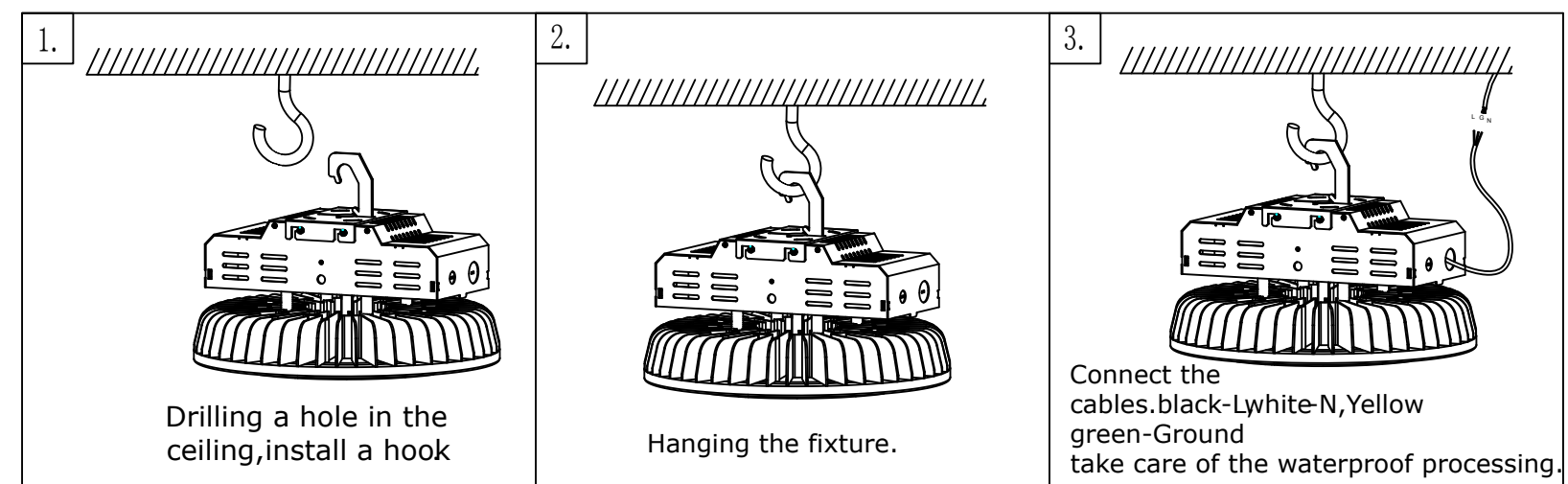
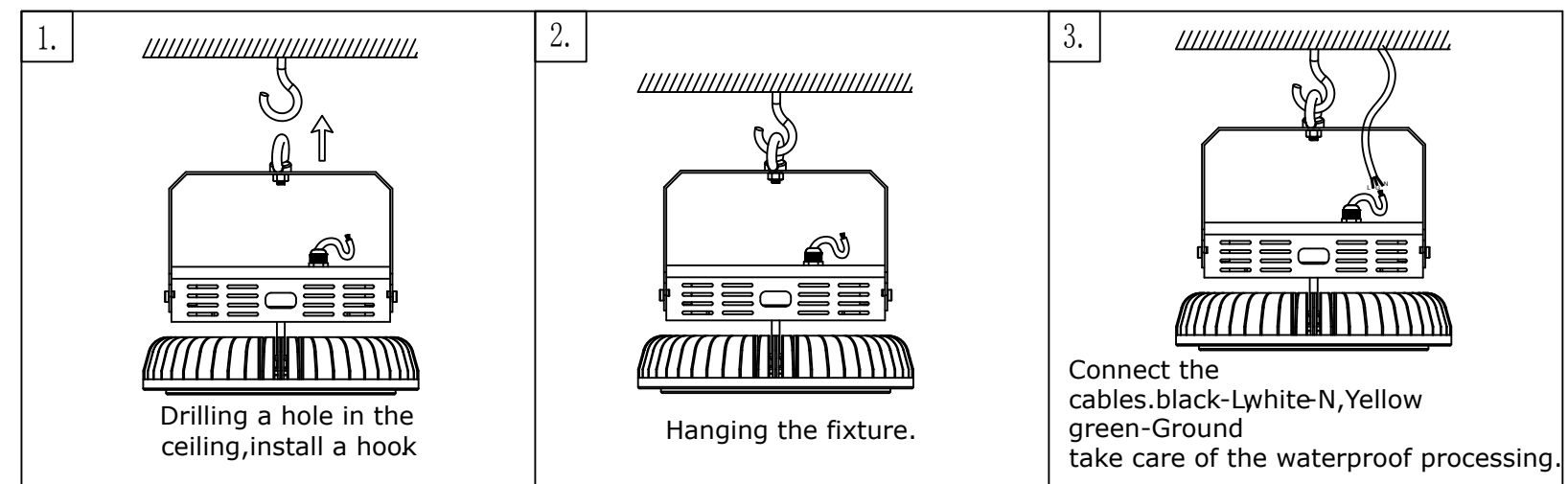
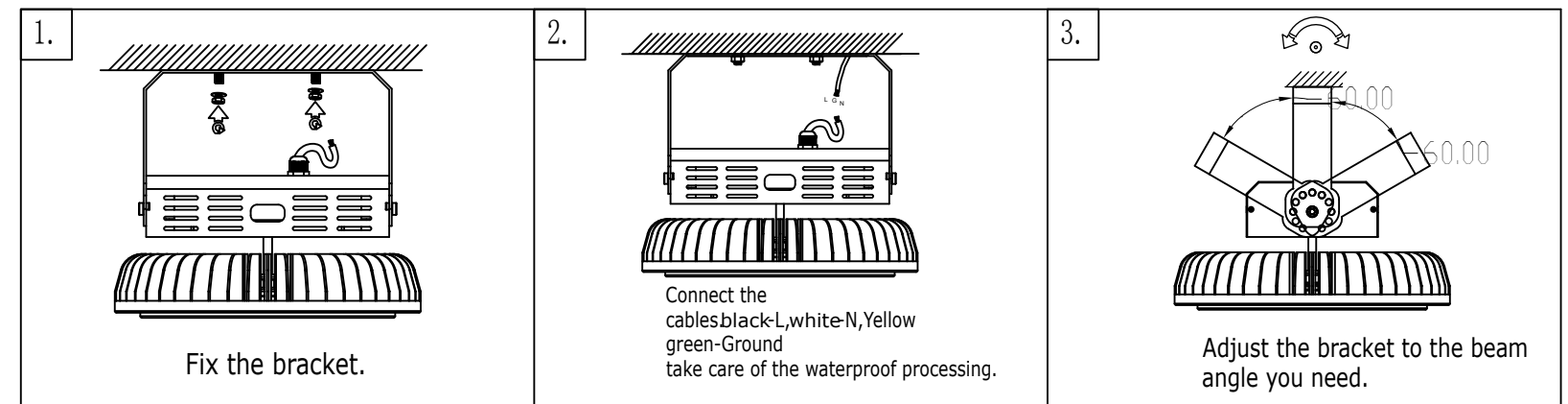
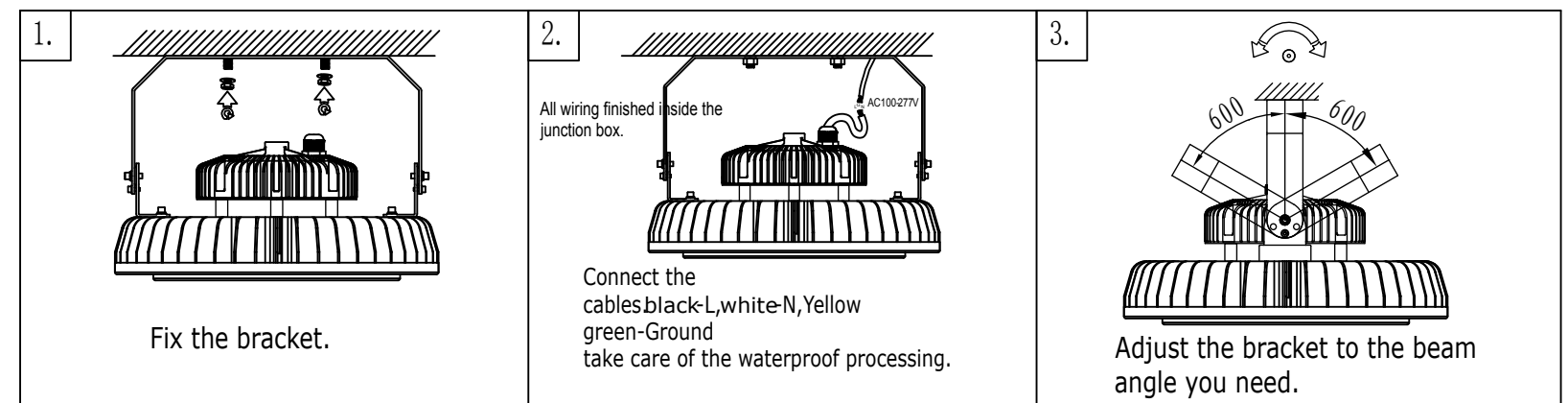
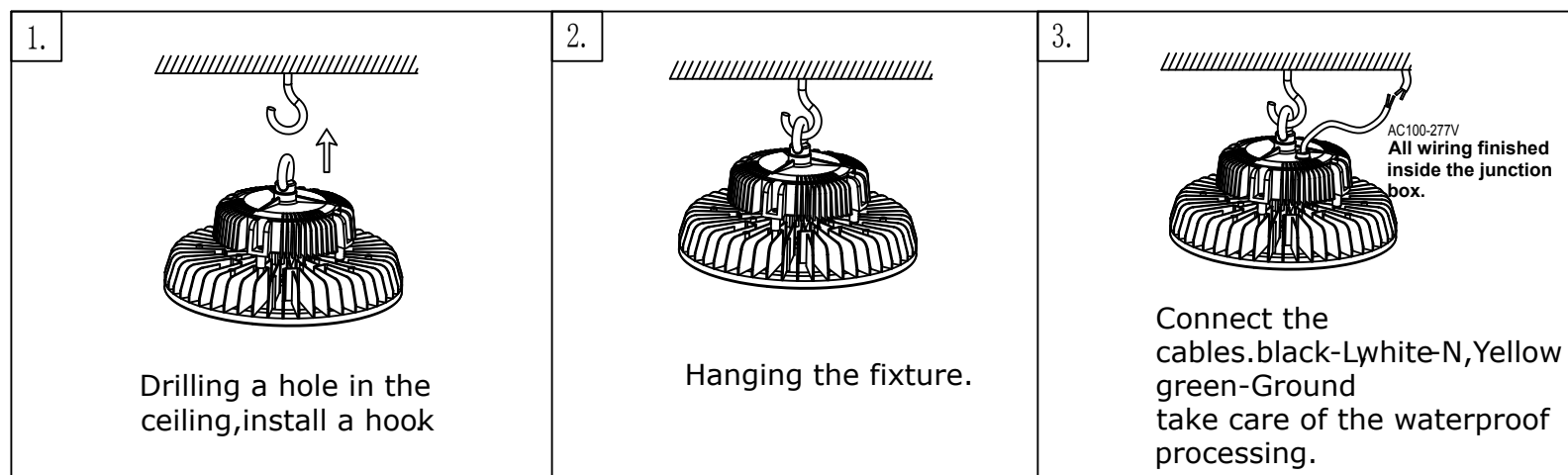
1. 1pc LED high bay light.
2. 1pc product user manual.
3. 1pc installation bracket or ring.

Warning:

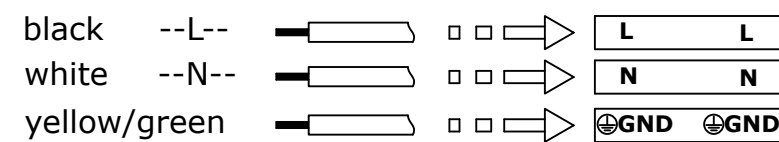
1. Please read the manual carefully before installation.
2. Please authorize only qualified person or professional engineer to install the fixture.
3. Before installation, please check if the local voltage range is correspond with the working voltage of the fixture.
4. If the fixture is damaged, it should be replaced by the supplier, a service agent or a qualified person.
5. please keep the fixture out of fire, electric shock, vibration.
6. To avoid fire, electric, shock

Installation instruction:

Installation 1



Wiring Diagram



1-10V dimmable

